

# Aspire RF switch (no neutral required version)

Project Name:	Prepared By:
Project Number:	Date:
Catalog Number:	Type:

## Description

Single pole, 3-way, 4-way  
8A, 120V/AC, 60Hz  
Incandescent load only



RF9518WS  
Designer series



RF9518DBK  
Decorator series

## Design features for Aspire RF switch (no neutral required version)

- Compatible with Aspire RF accessory switch (RF9520) using traditional 3-way wiring (up to 3 locations) or RF9517 using association function
- Neutral wire is not required for installation of device
- 60 watt minimum load required
- Can be associated with up to 5 other devices
- Decorator and designer series products offer the same functionality with two distinct styles
- Electro-mechanical push button for ON/OFF operation
- Patented indicator system alerts if switch is not set up in the network
- Blue LED at center right of paddle illuminates to indicate ON/OFF status
- RFI filtering for radio, audio and video equipment
- Single button programming
- Programmable delayed OFF mode up to 4 minutes (default is 10 seconds)
- Child lockout feature
- All-ON/All-OFF inclusion
- Configurable "power up state"

**Table 1. Aspire RF switch (no neutral required)**

Catalog No.	Description	Designer Color Suffix	Decorator Color Suffix
□ RF9518_	8A switch	AW, DS, SG, WS	DBK, DLA, DW

Compliances, specifications and availability are subject to change without notice.



Powering Business Worldwide

Project Name:	Prepared By:
Project Number:	Date:
Catalog Number:	Type:

## Applications for switch (no neutral required)

The Aspire RF 8A switch replaces regular switches or dimmers to provide local and remote ON/OFF control for incandescent loads. Moreover, the Aspire RF switch provides other programmable functions (scenes, events, association, child lockout, etc.) when used with Aspire RF controllers (RFHDCSG, RFTDCSG, RFTCP, RFUSB-PRO) or other Z-Wave® compliant controllers\*. Each switch can be manually and remotely controlled by commands sent from an Aspire RF controller or other Z-Wave compatible controllers or programs. An Aspire RF switch utilizes existing 120 V/AC 60Hz standard house wiring and fits in a standard wallbox. No neutral wire required. No new wiring needed.\*Note: some specific Aspire RF features may not be programmable

**Table 2. Specifications**

Catalog No.	Switch (no neutral required) RF9518
<b>Performance</b>	<b>Maximum Amperage:</b> 8A <b>Minimum Lamp Wattage:</b> Single-location 60W, multi-location 100W <b>Rating:</b> 120V/AC, 60Hz Uses 300 Series Z-Wave Chip @ 40Kbs Derating is required in multi-gang installations (See multi-unit installation chart listed below)
<b>Performance Consideration</b>	An Aspire RF Z-Wave enabled device must be within 60 feet of another Z-Wave enabled device to participate in a Z-Wave wireless mesh network. Any one dimmer or switch can be associated with up to 5 devices (dimmers, switches, receptacles, or plug-in modules)
<b>Installation &amp; Programming</b>	Please reference the Instruction Sheet included with the product for wiring installation. For programming of the device, see the Aspire RF User Manual, which is provided with either the handheld (RFHDCSG) or tabletop (RFTDCSG) controllers and are also accessible online at <a href="http://www.cooperwiringdevices.com/AspireRF">www.cooperwiringdevices.com/AspireRF</a>
<b>Testing &amp; Code Compliance</b>	cULus Listed 6B28. NOM Certified. Complies with FCC Part 15, Class B. Z-Wave Compliant Certified
<b>Terminations</b>	Switch has four 6" pre-stripped wire leads for line, load, traveller and ground
<b>Material Characteristics</b>	<b>Flammability:</b> Meets UL94 requirements; V2 rated <b>Temperature Rating:</b> 32°F to 104°F (0°C to 40°C)
<b>Warranty</b>	2-year limited product warranty

**Table 3. Multi-Unit Installation Chart**

Catalog No.	1-Gang	2-Gang	3 or more Gangs
<b>RF9518</b>	8A (1000W)	6.6A (800W)	6.6A (800W)

**Table 4. Color Ordering Information**

For ordering devices, include Catalog No. followed by the Color Suffix: AW (Alpine White), DS (Desert Sand), Silver Granite (SG), WS (White Satin), DBK (Decorator Black), DLA (Decorator Light Almond), DW (Decorator White).

**Designer series color options:**

AW	AW	DS	DS	SG	SG	WS	WS
Alpine White		Desert Sand		Silver Granite		White Satin	

**Decorator series color options:**

DBK	DLA	DW
Decorator Black	Decorator Light Almond	Decorator White

Compliances, specifications and availability are subject to change without notice.

Project Name:	Prepared By:
Project Number:	Date:
Catalog Number:	Type:

**Table 5. Device Configuration Parameters**

Parameter	Description	Value range
1	Delayed OFF	*0 to 127 -128 to -1
2	Panic ON time	*0 to 127 -128 to -1
3	Panic OFF time	*0 to 127 -128 to -1
4	Basic set value	Not used
5	Power up state	1=OFF, 2=ON, 3=Last state
6	Panic mode enable	0=OFF, 1=ON
7	Not used	Not used

\*The configuration value is a signed single byte number. This value may represent a value with no units or may represent a value such as time. 0 to 127 (decimal) represents 0 to 127 seconds of time. -128 to -1 (negative decimal numbers) represents 128 to 255 seconds as calculated by this formula.

Config value = desired time in seconds (or desired value) -256

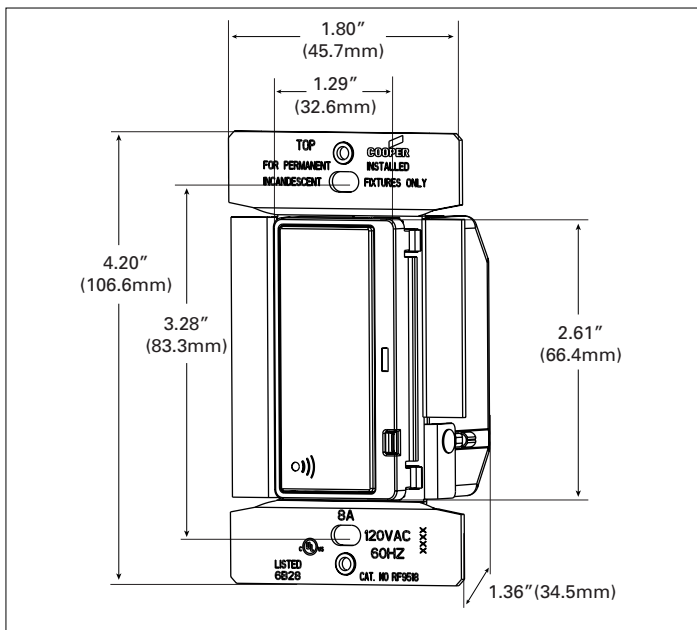
For an example of 172 seconds: config value = 172 - 256 = -84 (decimal) or 0xAC (hex)

**Table 6. Device Association Information**

**Association Groups for RF9518**

Group 1	5 nodes maximum
Group 2 - 254	0 nodes maximum
Group 255	1 node maximum

**Product Dimensions**

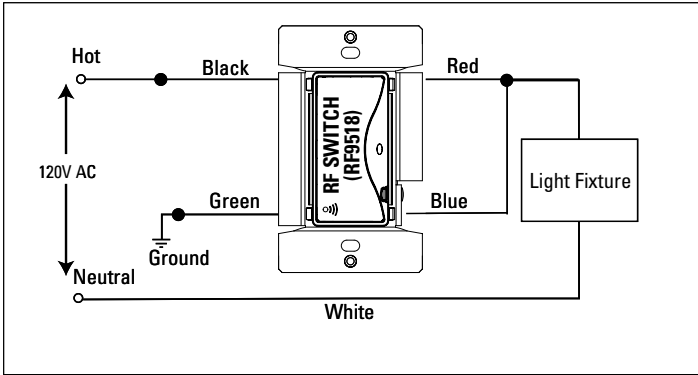


**Figure 1. RF9518**

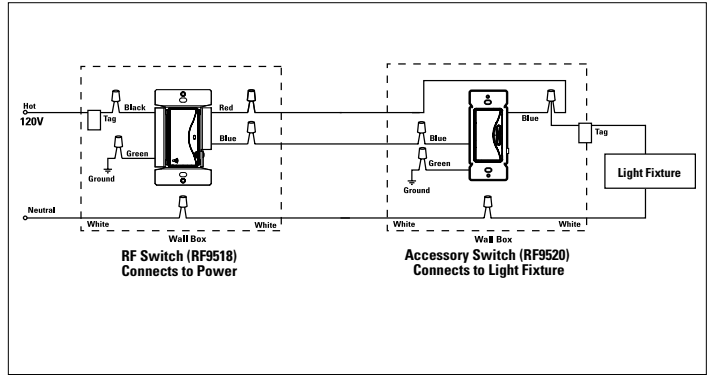
Compliances, specifications and availability are subject to change without notice.

Project Name:	Prepared By:
Project Number:	Date:
Catalog Number:	Type:

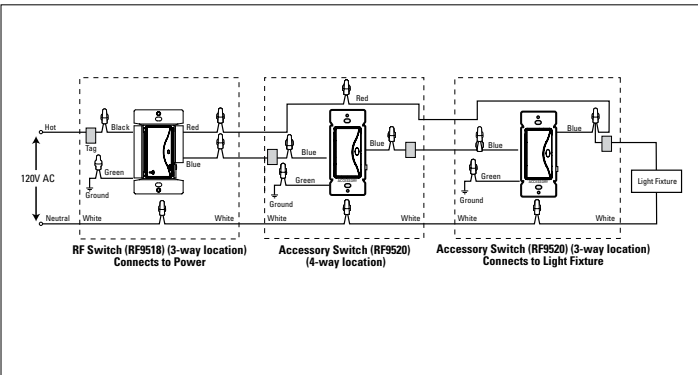
### Single-Pole Location Wiring Diagram



### 3-Way Location Wiring Diagram



### 4-Way Location Wiring Diagram



**Note:** For multi-location control using the RF association function, use catalog no. RF9517.

### Certifications & Compliances

Catalog No.			
RF9518	•	•	•

**KEY:** cULus NOM FCC

### Related Products

#### Aspire RF controllers



RFHDCSG, RFTDCSG, RFWC5WS

#### Aspire RF products



RF9534DW, RF9520DW, RFTR9505-T

#### Aspire products



9566TRWS, 9544DS, 9521WS

Compliances, specifications and availability are subject to change without notice.

Project Name:	Prepared By:
Project Number:	Date:
Catalog Number:	Type:

Electrical Sector  
203 Cooper Circle  
Peachtree City, GA 30269  
United States  
Eaton.com  
Cooperwiringdevices.com

Electrical Sector  
Canada Operations  
5925 McLaughlin Road  
Mississauga, Ontario, L5R 1B8  
Canada  
EatonCanada.ca  
Cooperwiringdevices.com

Electrical Sector  
Mexico Operations  
Carr. Tlalnepantla -  
Cuautitlan Km 17.8 s/n  
Col. Villa Jardin esq.  
Cerrada 8 de Mayo  
Cuautitlan, Mexico CP 54800  
Mexico  
Eaton.mx  
Cooperwiringdevices.com

**Eaton**  
1000 Eaton Boulevard  
Cleveland, OH 44122  
United States  
Eaton.com

© 2014 Eaton  
All Rights Reserved  
Printed in USA  
Publication No. E125-0123-14  
February 2014

Eaton is a registered trademark.  
All other trademarks are property  
of their respective owners.

