

# Aspire RF smart dimmer system masters (no neutral required version)

Project Name:	Prepared By:
Project Number:	Date:
Catalog Number:	Type:

## Description

Single-pole, 3-way, 4-way  
120V/AC, 60Hz  
Incandescent load only



RF9534AW  
Designer series



RF9534DW  
Decorator series

## Design features for smart dimmer system masters (no neutral required version)

- Can be used for multi-location control with either the RF9542-Z or the RF9542 (Non-RF accessory dimmer)
- Compatible with Aspire RF accessory dimmer (RF9542) by using traditional 3-way travellers (up to 3 locations)
- 60 Watt minimum load required
- Neutral wire is not required for installation of device
- Can be associated with up to 5 other devices
- Decorator and designer series products offer the same functionality with two distinct styles
- Patented indicator system alerts if dimmer is not set up in the network
- Electro-mechanical push pad for ON/OFF operation with separate DIM/BRIGHT bar
- Seven step blue LED display alongside push pad indicates selected light level and reduces brightness when OFF (nightlight feature)
- Energy Saver feature sets light output @ 85%, extending bulb life 3x and providing at least 15% energy savings
- Single button programming
- Programmable rapid and delayed fading up to 4 minutes (default is 10 seconds)
- Adjustable ramp rate (up to 4 minutes)
- Child lockout feature
- Air-gap switch disconnects power from load, forcing an OFF condition
- Pressing and holding push pad for 2 seconds brings light to full brightness without affecting preset levels

**Table 1. Aspire RF smart dimmer system masters (no neutral required version)**

Catalog No.	Description	Compatible Lamp Types	Watts	Designer Color Suffix	Decorator Color Suffix
□ RF9534_	Smart Eco-Save* (no neutral required)	Incandescent	600	AW, DS, SG, WS	DBK, DLA, DW
□ RF9536_	Smart Eco-Save* (no neutral required)	Incandescent	1000	AW, DS, SG, WS	DBK, DLA, DW

\*Eco-Save dimmers guarantee at least 15% energy savings and extend the life of incandescent bulbs by at least three fold

Compliances, specifications and availability are subject to change without notice.



Powering Business Worldwide

Project Name:	Prepared By:
Project Number:	Date:
Catalog Number:	Type:

## Applications for smart dimmer system masters

Aspire RF dimmers replace regular switches to provide local and remote ON/OFF/DIM/BRIGHT control and are compatible with incandescent lighting loads. Aspire RF dimmers provide other programmable functions (scenes, events, association, child lockout, etc.) when used with Aspire RF or other Z-Wave® compliant controllers\*. Each dimmer can be manually and remotely controlled by commands sent from an Aspire RF controller (RFHDCSG, RFTDCSG, RFTCP) or other Z-Wave compatible controllers or programs. Aspire RF dimmers utilize existing 120 V/AC 60Hz standard house wiring and fit into standard wallboxes. No neutral wire is required. No new wiring needed.\*Note: some specific Aspire RF features may not be programmable.

**Table 2. Specifications**

Catalog No.	Smart dimmers RF9534, RF9536
<b>Performance</b>	Rating: 120V/AC, 60Hz Minimum wattage is 60W Derating is required in multi-gang installations (See Multi-unit installation chart listed below) Uses 300 Series Z-Wave Chip @ 40Kbs
<b>Performance Consideration</b>	An Aspire RF Z-Wave enabled device must be within 60 feet of another Z-Wave enabled device to participate in a Z-Wave wireless mesh network. Any one dimmer or switch can be associated with up to 5 devices (dimmers, switches, receptacles, or plug-in modules)
<b>Installation &amp; Programming</b>	Please reference the Instruction Sheet included with the product for wiring installation. For programming of the device, see the Aspire RF User Manual, which is provided with either the handheld (RFHDCSG) or tabletop (RFTDCSG) controllers and are also accessible online at <a href="http://www.cooperwiringdevices.com/AspireRF">www.cooperwiringdevices.com/AspireRF</a>
<b>Testing &amp; Code Compliance</b>	cULus Listed 6B28. NOM Certified. Complies with FCC Part 15, Class B. Z-Wave Compliant Certified
<b>Terminations</b>	Dimmers have four 6" pre-stripped wire leads for line, load, ground and traveller
<b>Material Characteristics</b>	<b>Flammability:</b> Meets UL94 requirements; V2 rated <b>Temperature Rating:</b> 32°F to 104°F (0°C to 40°C)
<b>Warranty</b>	2-year limited product warranty

**Table 3. Multi-Unit Installation Chart**

Catalog No.	Load Type	1-Gang	2-Gang	3 or more Gangs
<b>RF9534</b>	INC	600W	600W	600W
<b>RF9536</b>	INC	1000W	800W	800W

**Table 4. Color Ordering Information**

For ordering devices, include Catalog No. followed by the Color Suffix: AW (Alpine White), DS (Desert Sand), Silver Granite (SG), WS (White Satin), DBK (Decorator Black), DLA (Decorator Light Almond), DW (Decorator White).

**Designer series color options:**

AW	AW	DS	DS	SG	SG	WS	WS
Alpine White		Desert Sand		Silver Granite		White Satin	

**Decorator series color options:**

DBK	DLA	DW
Decorator Black	Decorator Light Almond	Decorator White

Project Name:	Prepared By:
Project Number:	Date:
Catalog Number:	Type:

**Table 5. Device Configuration Parameters**

Parameter	Description	Value range
1	Delayed OFF	*0 to 127 -128 to -1
2	Panic ON time	*0 to 127 -128 to -1
3	Panic OFF time	*0 to 127 -128 to -1
4	Basic set value	*0 to 127 -128 to -1
5	Power up state	1=OFF, 2=ON, 3=Last state
6	Panic mode enable	0=OFF, 1=ON
7	Not used	*0 to 127 -128 to -1

\*The configuration value is a signed single byte number. This value may represent a value with no units or may represent a value such as time. 0 to 127 (decimal) represents 0 to 127 seconds of time. -128 to -1 (negative decimal numbers) represents 128 to 255 seconds as calculated by this formula.

Config value = desired time in seconds (or desired value) -256

For an example of 172 seconds: config value = 172 - 256 = -84 (decimal) or 0xAC (hex)

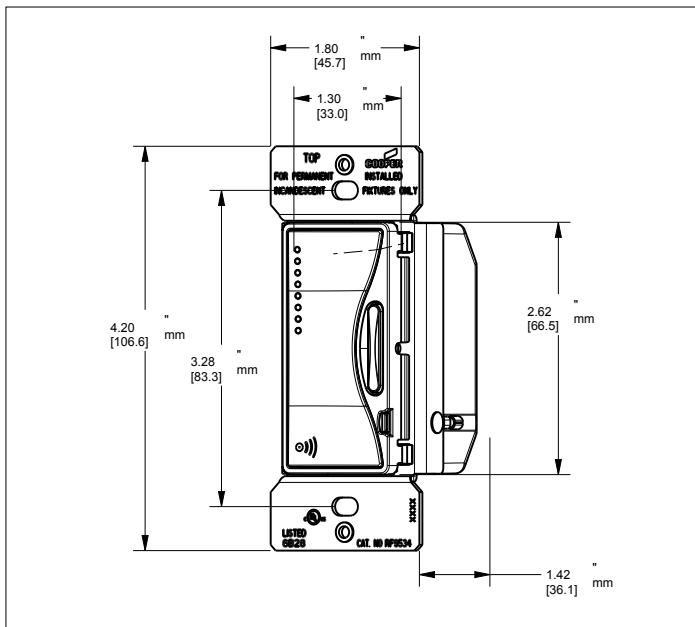
For Parameter 4, this value is the value that will be sent in a basic set command as a result from association to another device.

**Table 6. Device Association Information**

**Association Groups for RF9534, RF9536**

Group 1	5 nodes maximum
Group 2 - 254	0 nodes maximum
Group 255	1 node maximum

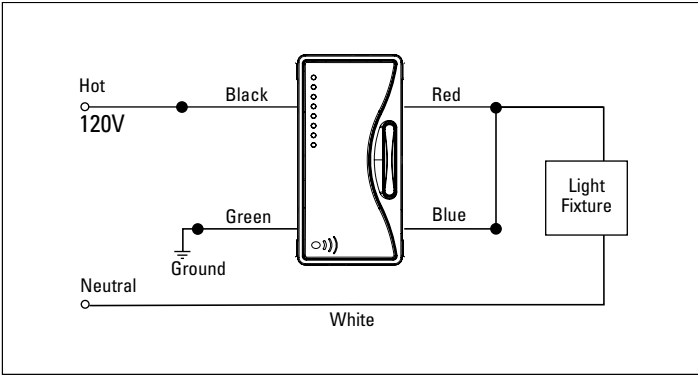
**Product Dimensions**



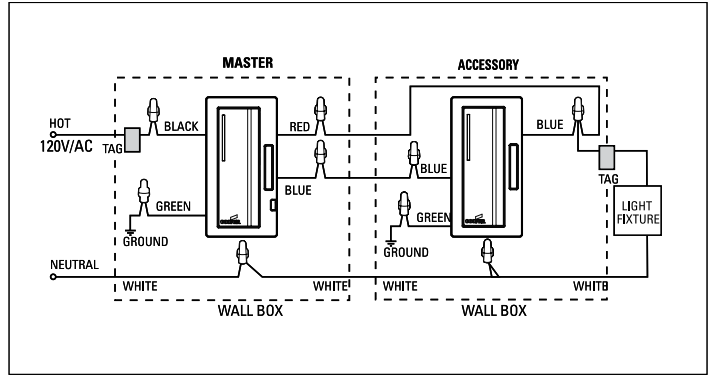
**Figure 1. RF9534, RF9536**

Project Name:	Prepared By:
Project Number:	Date:
Catalog Number:	Type:

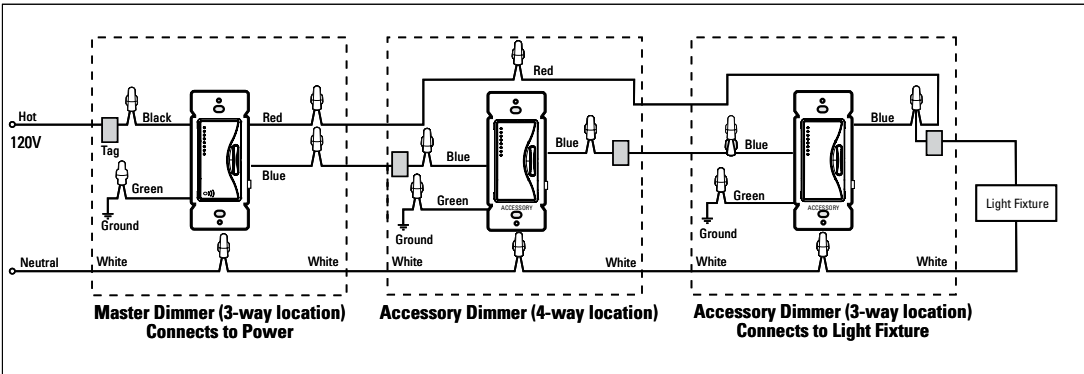
### Single-Pole Location Wiring Diagram



### 3-Way Location Wiring Diagram



### 4-Way Location Wiring Diagram



**Note:** Accessory dimmer in diagram is RF9542.  
For multi-location control using RF association function, use cat no. RF9542-Z.

### Certifications & compliances

Catalog No.	cULus	NOM 426	FC
RF9534	•	•	•
RF9536	•	•	•

**KEY:** cULus cULus NOM 426 NOM FCC FCC

Project Name:	Prepared By:
Project Number:	Date:
Catalog Number:	Type:

## Related Products

### Aspire RF controllers



RFHDCSG, RFTDCSG, RFWC5WS

### Aspire RF products



RF9542-ZDW, RF9501DW, RFTR9505-T

### Aspire products



9566TRWS, 9544DS, 9521WS

Compliances, specifications and availability are subject to change without notice.

Electrical Sector  
203 Cooper Circle  
Peachtree City, GA 30269  
United States  
Eaton.com  
Eaton.com/wiringdevices

Electrical Sector  
Canada Operations  
5925 McLaughlin Road  
Mississauga, Ontario, L5R 1B8  
Canada  
EatonCanada.ca  
Eaton.com/wiringdevices

Electrical Sector  
Mexico Operations  
Carr. Tlalnepantla -  
Cuautitlan Km 17.8 s/n  
Col. Villa Jardin esq.  
Cerrada 8 de Mayo  
Cuautitlan, Mexico CP 54800  
Mexico  
Eaton.mx  
Eaton.com/wiringdevices

**Eaton**  
1000 Eaton Boulevard  
Cleveland, OH 44122  
United States  
Eaton.com

© 2018 Eaton  
All Rights Reserved  
Printed in USA  
Publication No. TD610083EN  
February 2018