

# Anyplace switch

Project Name:	Prepared By:
Project Number:	Date:
Catalog Number:	Type:

## Description

Battery Operated  
(2) CR2025 Batteries

## Design features

- Blue LED indicator [for further details, refer to the instruction sheet]:
  - Normally OFF
  - Blink once when turning a device OFF
  - ON for 2 seconds and then OFF when turning a device ON
  - Blinking when device is not readable
  - Blinking rapidly during install/uninstall process when RF9575 is used as a controller
- ON/OFF switch on RF9575 will turn associated Z-Wave wireless switch, receptacle or dimmer ON/OFF
- The UP/DOWN dimmer buttons will control the light level when associated with a Z-Wave master dimmer
- Includes single-gang wallplate (9521) mounting hardware (2 drywall screws and anchors, and 2 pieces of two-sided tape strips) and two CR2025 batteries
- Electro-mechanical push pad for ON/OFF operation with separate DIM/BRIGHT bar
- Can be used in existing or new multi-gang installations with use of inner wallplate (RFBS22)
- Compatible with Z-Wave devices for wireless 3-way control, eliminating the need for traditional 3-way wiring or for a dedicated traveller wire
- Single button programming
- Mounts to any flat surface
- Child Lockout feature
- Can be associated with up to five other devices
- Goes into Sleep Mode to reduce power consumption & extend battery life (LED indicator is OFF)



RF9575DW



RF9575DW  
w/wallplate



RF9575AW



RF9575AW  
w/wallplate



RFBS22

**Table 1. Anyplace switch**

Catalog No.	Description	Designer Color Suffix	Decorator Color Suffix
□ RF9575__	Anyplace battery operated switch	AW, DS, SG, WS	DBK, DLA, DW
□ RFBS22__	Inner wallplate for multi-gang installation	—	—

**Compliances, specifications and availability are subject to change without notice.**



Powering Business Worldwide

Effective September 2017

Project Name:	Prepared By:
Project Number:	Date:
Catalog Number:	Type:

### Applications

Anyplace switch controls Z-Wave receptacles, switches or dimmers to provide remote ON/OFF/DIM/BRIGHT control. This provides other programmable functions when used with Z-Wave compliant products. Anyplace switch is intended to manually control other Z-Wave devices through association with or without a controller. Anyplace switch utilizes two CR2025 batteries and mounts flush to the wall. No new wiring is required.

**Table 2. Specifications**

Catalog No.	Anyplace Switch RF9575
<b>Performance</b>	Power: (2) CR2025 batteries (supplied) Expected battery life: + 1 year Uses 300 series Z-Wave chip @40Kbs Note: Not used as a repeater in RF mesh network.
<b>Performance Consideration</b>	A Z-Wave enabled device must be within 60 feet of another Z-Wave enabled device to participate in a Z-Wave wireless mesh network. Any one dimmer or switch can be associated with up to 5 devices (dimmers, switches, receptacles or plug-in modules).
<b>Installation &amp; Programming</b>	Please reference the instruction sheet included with product for installation and programming. For system programming, see the user manual provided with your controller. Both are also accessible online at <a href="http://www.eaton.com/wiringdevices">www.eaton.com/wiringdevices</a>
<b>Testing &amp; Code Compliance</b>	cULus Listed Appliance Control 38DS, NOM Certified, Complies with FCC Part 15, Class B, Z-Wave Compliant Certified
<b>Terminations</b>	Requires RFBS22 inner wallplate for multi-gang installations. Note: Anyplace RF battery operated switch shall not be mounted to an electrical box.
<b>Material Characteristics</b>	<b>Flammability:</b> Meets Flammability Rating: V2 per UL94 <b>Temperature Rating:</b> 32°F to 104°F (0°C to 40°C)
<b>Warranty</b>	2 year limited product warranty

**Table 3. Color Ordering Information**

For ordering devices, include Catalog no. followed by the Color suffix: AW (Alpine White), DS (Desert Sand), SG (Silver Granite), WS (White Satin), DBK (Decorator Black), DLA (Decorator Light Almond), DW (Decorator White).

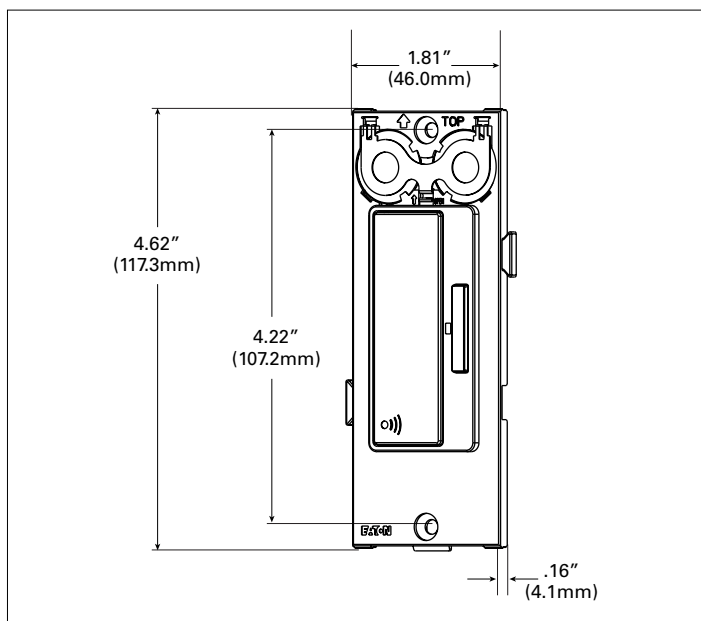
**Designer series color options:**



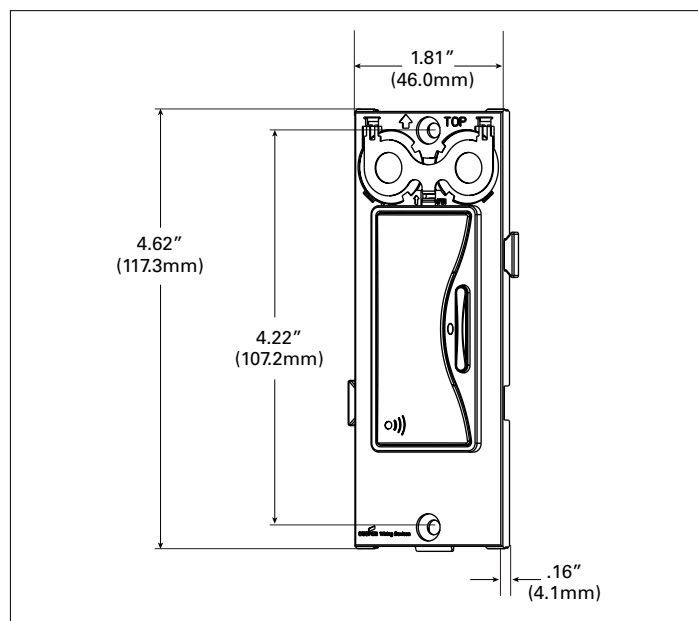
**Decorator series color options:**



### Product Dimensions



**Figure 1. RF9575 Decorator series**



**Figure 2. RF9575 Designer series**

Project Name:	Prepared By:
Project Number:	Date:
Catalog Number:	Type:

### Certifications & Compliances

Catalog No.	cULus	FC
RF9575	•	•
RFBS22	•	•

**KEY:**  cULus  FCC

### Related Products

#### Z-Wave wireless products



RF9501AW, RF9540-NDW, RFTR9505-T, RFLDM

Electrical Sector  
203 Cooper Circle  
Peachtree City, GA 30269  
United States  
Eaton.com  
Eaton.com/wiringdevices

Electrical Sector  
Canada Operations  
5925 McLaughlin Road  
Mississauga, Ontario, L5R 1B8  
Canada  
EatonCanada.ca  
Eaton.com/wiringdevices

Electrical Sector  
Mexico Operations  
Carr. Tlalnepantla -  
Cuautitlan Km 17.8 s/n  
Col. Villa Jardin esq.  
Cerrada 8 de Mayo  
Cuautitlan, Mexico CP 54800  
Mexico  
Eaton.mx  
Eaton.com/wiringdevices

Eaton is a registered trademark.  
All other trademarks are property  
of their respective owners.