

# Z-Wave Plus wireless switch

Project Name:	Prepared By:
Project Number:	Date:
Catalog Number:	Type:

## Description

Single pole, 3-way, multi-location  
15A, 120V/AC, 60Hz, 1/2 HP

## Design features

- Compatible with Z-Wave Plus accessory switch (RF9617) for wireless 3-way control eliminating the need for traditional 3-way wiring (up to 5 locations)
- Can be wired with standard 3-way switch where traveler wire exist for 3-way
- Can be associated with up to 5 other Z-Wave Plus devices
- Neutral wire required for installation
- Dimmable blue LED illuminates to indicate ON/OFF status
- Patented indicator system alerts if the device is not set up in the network
- Rated for 1/2 HP motor loads
- Programmable delayed OFF mode up to 4 minutes (default is 10 seconds)
- Configurable "power ON state"
- Child lockout feature which disables local control at switch
- Supports panic mode with compatible hubs
- Available in 10 different colors including metallic finish
- Z-Wave Plus certified with S2 security standard



**Table 1. Z-Wave Plus wireless switch**

Catalog no.	Description	Designer color suffix	Decorator color suffix
□ RF9601_	Z-Wave Plus wireless switch	AW, DS, WS	DB, DBK, DGY, DLA, DRB, DSG, DW

Compliances, specifications and availability are subject to change without notice.

Project Name:	Prepared By:
Project Number:	Date:
Catalog Number:	Type:

### Applications

The Z-Wave Plus wireless switch replaces regular switches or dimmers (where a neutral is present) to provide local and remote ON/OFF control for LED, CFL, incandescent, magnetic low-voltage, electronic low-voltage, and fluorescent lighting loads. The Z-Wave Plus wireless switch provides other programmable functions (scenes, events, association, child lockout, etc.) when used with Z-Wave compliant controllers. Each switch can be manually and remotely controlled by commands sent from an Z-Wave controller or other Z-Wave compatible controllers. The switch could be also controlled by wired 3-way switch. Eaton's Z-Wave switches are Z-Wave Plus certified. Eaton's Z-Wave accessory switches are Z-Wave Plus certified and comply with latest S2 security standards for advanced cyber security.

Eaton's Z-Wave Plus wireless switches are Z-Wave Plus certified and comply with latest S2 security standards for advanced cyber security.

**Table 2. Specifications**

<b>Catalog No.</b>	<b>Switch RF9601</b>
<b>Performance</b>	<b>Maximum Amperage:</b> 15A, 1/2 HP Motor loads <b>Rating:</b> 120V/AC, 60Hz Uses 500 series chip @ 9.6/40/100Kbps
<b>Performance Consideration</b>	A Z-Wave enabled device must be within 60 feet of another Z-Wave enabled device to participate in a Z-Wave wireless mesh network. Any one dimmer or switch can be associated with up to 5 devices (dimmers, switches, receptacles, or plug-in modules)
<b>Installation &amp; Programming</b>	Please reference the Instruction Sheet included with the product for wiring installation. For programming of the device, see the Z-Wave wireless switch User Manual, which is provided with compatible Z-Wave controller
<b>Testing &amp; Code Compliance</b>	cULus Listed 244A. NOM Certified. Complies with FCC Part 15, Class B. Z-Wave Plus Compliant Certified
<b>Terminations</b>	Switch has five 6" wire leads for line, load, ground, neutral and traveler wire
<b>Material Characteristics</b>	<b>Flammability:</b> Meets UL94 requirements; V2 rated <b>Temperature Rating:</b> 32°F to 104°F (0°C to 40°C)
<b>Warranty</b>	2-year limited product warranty

**Table 3. Color Ordering Information**

For ordering devices, include Catalog No. followed by the Color Suffix: AW (Alpine White), DS (Desert Sand), WS (White Satin), DB (Decorator Brown), DBK (Decorator Black), DGY (Decorator Gray), DLA (Decorator Light Almond), DRB (Decorator Oil Rubbed Bronze), DSG (Decorator Silver Granite), DW (Decorator White).

Designer series color options:

AW	AW	DS	DS	WS	WS
(Alpine White)	(Alpine White)	(Desert Sand)	(Desert Sand)	(White Satin)	(White Satin)

Decorator series color options:

DB	DBK	DGY	DLA	DRB	DSG	DW
(Decorator Brown)	(Decorator Black)	(Decorator Gray)	(Decorator Light Almond)	(Decorator Oil Rubbed Bronze)	(Decorator Silver Granite)	(Decorator White)

**Table 4. Device Configuration Parameters**

Parameter	Description	Value range
1	Delayed OFF Time	0 to 127 Secs
2	Panic ON Time	0 to 127 Secs
3	Panic OFF Time	0 to 127 Secs
4	Not Used	N/A
5	Power up state	1=OFF, 2=ON, 3=Last state
6	Panic mode enable	0=OFF, 1=ON
7-12	Not Used	N/A
13	Blue LED brightness level when switch is ON	0 to 4
14	Blue LED brightness level when switch is OFF	0 to 4

**Table 5. Device Association Information**

Association Groups for RF9601	
Group 1 (life line)	5 nodes maximum
Group 2 (set) ON/OFF	5 nodes maximum

Project Name:	Prepared By:
Project Number:	Date:
Catalog Number:	Type:

### Product Dimensions

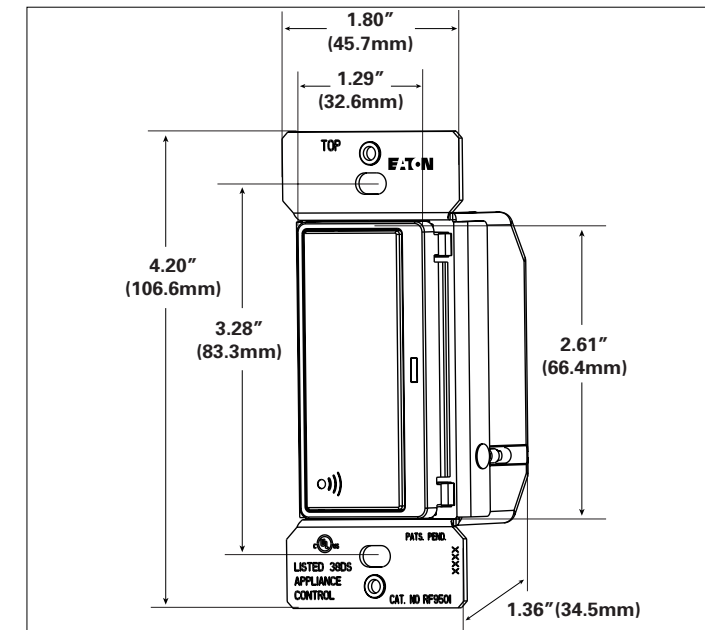
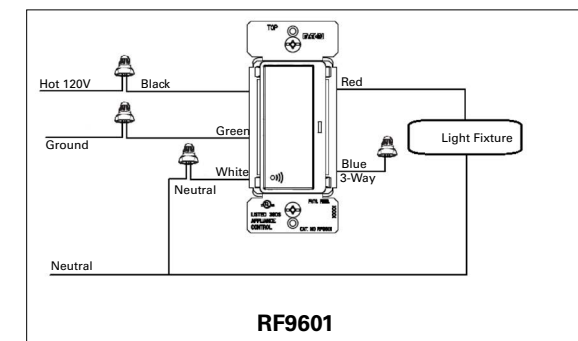
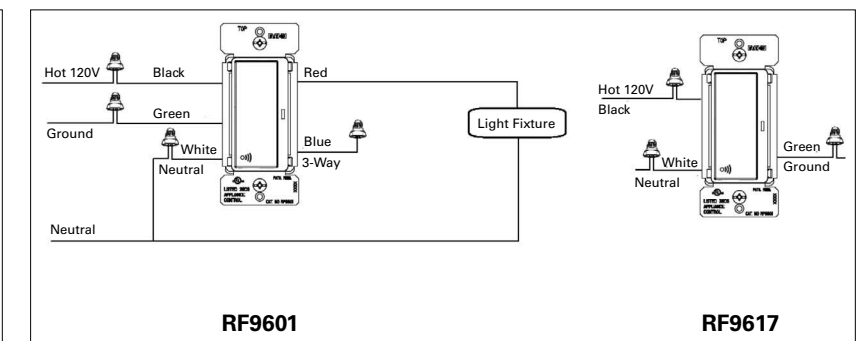


Figure 1. RF9601

### Single-Pole Location Wiring Diagram

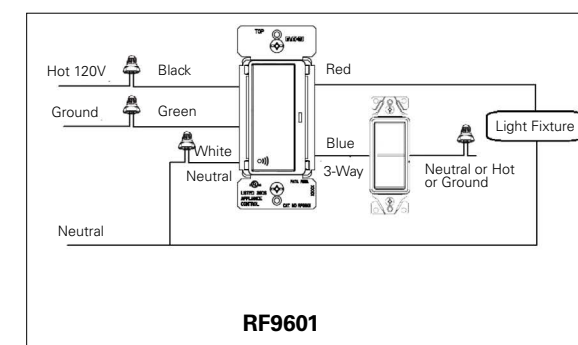


### Multi-Location Wiring Diagram




**Note:** For multi-location control using the RF association function, use catalog no. RF9617.

### 3-Way Location Wiring Diagram



Project Name:	Prepared By:
Project Number:	Date:
Catalog Number:	Type:

## Certifications & Compliances

<b>Catalog No.</b>				
RF9601	•	•	•	•

**KEY:**  cULus  NOM  FCC  Z-Wave Plus

## Related Products

### Z-Wave controller



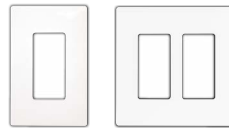
Eaton home automation hub

### Z-Wave Plus wireless products



RF9640-N, RF9617, RFTR9605-T

### Wallplates



PJS26, PJS262

**Compliances, specifications and availability are subject to change without notice.**

Electrical Sector  
203 Cooper Circle  
Peachtree City, GA 30269  
United States  
Eaton.com  
Eaton.com/wiringdevices

Electrical Sector  
Canada Operations  
5925 McLaughlin Road  
Mississauga, Ontario, L5R 1B8  
Canada  
EatonCanada.ca  
Eaton.com/wiringdevices

Electrical Sector  
Mexico Operations  
Carr. Tlalnepantla -  
Cuautitlan Km 178 s/n  
Col. Villa Jardin esq.  
Cerrada 8 de Mayo  
Cuautitlan, Mexico CP 54800  
Mexico  
Eaton.mx  
Eaton.com/wiringdevices