

Z-Wave Plus wireless ON/OFF plug-in module

Project Name:	Prepared By:
Project Number:	Date:
Catalog Number:	Type:



RF96APM



Description

12A - 120V/AC; 60Hz
1400W resistive load, 600W incandescent load, 320W LED load

Design features

- Provides wireless control of one outlet leaving the other outlet always ON
- Can be associated with up to 4 other devices
- Voice and app based control when used with compatible Z-Wave controller or Eaton's home automation hub
- Supports Z-Wave Plus functionality with S2 security certification

Table 1. Z-Wave Plus wireless ON/OFF plug-in module



Catalog no.	A	Rating V/AC	Hz	Description	Color
□ RF96APM	12	120	60	Z-Wave Plus wireless ON/OFF plug-in module	W

Compliances, specifications and availability are subject to change without notice.



Powering Business Worldwide

Project Name:	Prepared By:
Project Number:	Date:
Catalog Number:	Type:

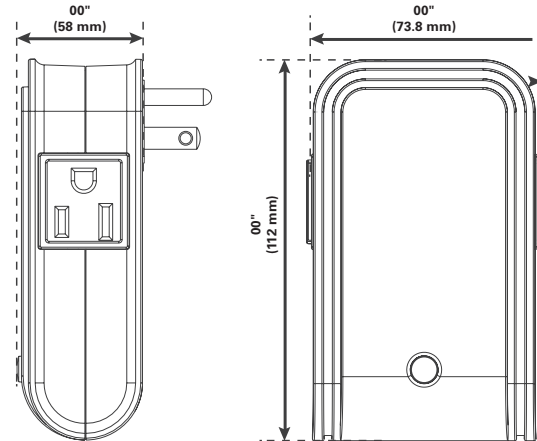
Applications

Eaton's Z-Wave Plus Wireless ON/OFF Plug-in Module (RF96APM) provides local and remote ON/OFF control of a single floor lamp or table lamp. Additionally, the Z-Wave Plus Wireless module provides other programmable functions (scenes, events, association, child lockout, etc.) when used with compliant controllers*. The module can be manually controlled and remotely controlled by commands sent from Z-Wave compatible controllers or programs.

Table 2. Specifications

Catalog No.	RF96APM
Function	ON/OFF plug (1400W)
Frequency range	908.42 MHz (US)
RF Protocol	Z-Wave Plus, SDK 6.71
RF range (open space)	Up to 100 ft. line of sight
User interface	1 x LED/button
Max load	1400W resistive load 600W incandescent load 320W LED load
Plug type	US (NEMA 5-15P/R)
Power Input	AC110V / 60Hz
Operation temperature	0 - 40°C
Operation humidity	85% RH max.
Dimension (mm)	58(W) x 73.8(D) x 112(H)
Weight	149g

Product Dimensions



Certifications & Compliances

Catalog No.			
RF96APM	•	•	•

KEY:  cULus  FCC  Z-Wave Plus

Related Products

Z-Wave controller



Eaton home automation hub

Z-Wave Plus wireless products



RF9601, RF9640-N, RFTR9605-T

*Compliances, specifications and availability are subject to change without notice.



Electrical Sector
203 Cooper Circle
Peachtree City, GA 30269
United States
Eaton.com
Eaton.com/wiringdevices

Electrical Sector
Canada Operations
5925 McLaughlin Road
Mississauga, Ontario, L5R 1B8
Canada
EatonCanada.ca
Eaton.com/wiringdevices

Electrical Sector
Mexico Operations
Carr. Tlalnepantla -
Cuautitlan Km 178 s/n
Col. Villa Jardin esq.
Cerrada 8 de Mayo
Cuautitlan, Mexico CP 54800
Mexico
Eaton.mx
Eaton.com/wiringdevices