

Z-Wave Plus wireless accessory switch

Project Name:	Prepared By:
Project Number:	Date:
Catalog Number:	Type:

Description

Controls up to 5 switches through Z-Wave association
120V/AC, 60Hz

Design features

- Compatible with Z-Wave Plus switch (RF9601) for wireless 3-way control eliminating the need for traditional 3-way wiring
- Can be associated with up to 5 other Z-Wave Plus devices
- Neutral wire required for installation
- Dimmable blue LED at center right of paddle illuminates to indicate ON/OFF status
- Patented indicator system alerts if the device is not set up in the network
- Programmable delayed OFF mode up to 4 minutes (default is 10 seconds)
- Configurable "power ON state"
- Child lockout feature which disables local control at switch
- Supports panic mode with compatible hubs
- Available in 10 different colors including metallic finish
- Z-Wave Plus certified with S2 security standard



RF9617DW



RF9617AW

Table 1. Z-Wave Plus wireless accessory switch

Catalog no.	Description	Designer color suffix	Decorator color suffix
□ RF9617_	Z-Wave Plus wireless accessory switch (compatible with RF9601)	AW, DS, WS	DB, DBK, DGY, DLA, DRB, DSG, DW

Compliances, specifications and availability are subject to change without notice.



Powering Business Worldwide

Project Name:	Prepared By:
Project Number:	Date:
Catalog Number:	Type:

Applications

Z-Wave Plus accessory switches can be paired with Z-Wave Plus wireless switches (RF9601) to provide multi-location ON/OFF control for up to (5) locations. These are ideal when there's no traveler wire between the two locations in a 3-way application. Z-Wave Plus accessories will need to be associated with the load controlling switch using a compatible Z-Wave compliant controller.

Eaton's Z-Wave Plus accessory switches are Z-Wave Plus certified and comply with latest S2 security standards for advanced cyber security.

Table 2. Specifications

Catalog No.	Accessory switch RF9617
Performance	Rating: 120V/AC, 60Hz Uses 500 series Z-Wave chip @ 9.6/40/100Kbps
Testing & Code Compliance	cULus Listed 244A. NOM Certified. Complies with FCC Part 15, Class B. Z-Wave Plus Compliant Certified
Terminations	Switch has three 6" wire leads for line, neutral and ground
Material Characteristics	Flammability: Meets UL94 requirements; V2 rated Temperature Rating: 32°F to 104°F (0°C to 40°C)
Warranty	2-year limited product warranty

Table 3. Color Ordering Information

For ordering devices, include Catalog No. followed by the Color Suffix: AW (Alpine White), DS (Desert Sand), WS (White Satin), DB (Decorator Brown), DBK (Decorator Black), DGY (Decorator Gray), DLA (Decorator Light Almond), DRB (Decorator Oil Rubbed Bronze), DSG (Decorator Silver Granite), DW (Decorator White).

Designer series color options:

AW	AW	DS	DS	WS	WS
(Alpine White)		(Desert Sand)		(White Satin)	

Decorator series color options:

DB	DBK	DGY	DLA	DRB	DSG	DW
(Decorator Brown)	(Decorator Black)	(Decorator Gray)	(Decorator Light Almond)	(Decorator Oil Rubbed Bronze)	(Decorator Silver Granite)	(Decorator White)

Table 4. Device Configuration Parameters

Parameter	Description	Value range
1	Delayed OFF Time	0 to 127 Secs
2	Panic ON Time	0 to 127 Secs
3	Panic OFF Time	0 to 127 Secs
4	Not Used	N/A
5	Power Up State	1=OFF, 2=ON, 3=Last State
6	Panic Mode Enable	0=OFF, 1=ON
7-12	Not Used	N/A
13	Blue LED Brightness Level while Switch is ON	0 to 4
14	Blue LED Brightness Level while Switch is OFF	0 to 4

Table 5. Device Association Information

Association Groups for RF9617

Group 1 (Life line)	5 nodes maximum
Group 2 (set) ON/OFF	5 nodes maximum

Project Name:	Prepared By:
Project Number:	Date:
Catalog Number:	Type:

Product Dimensions

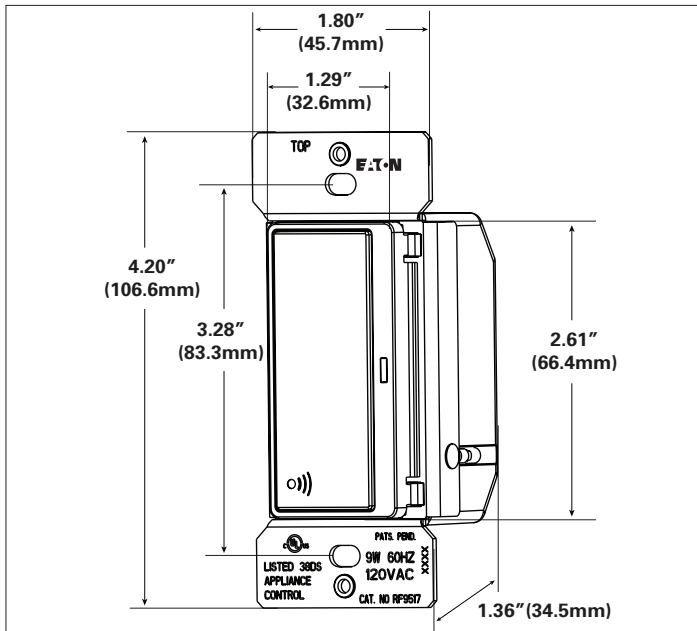
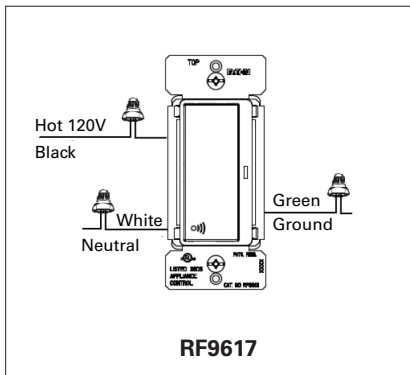
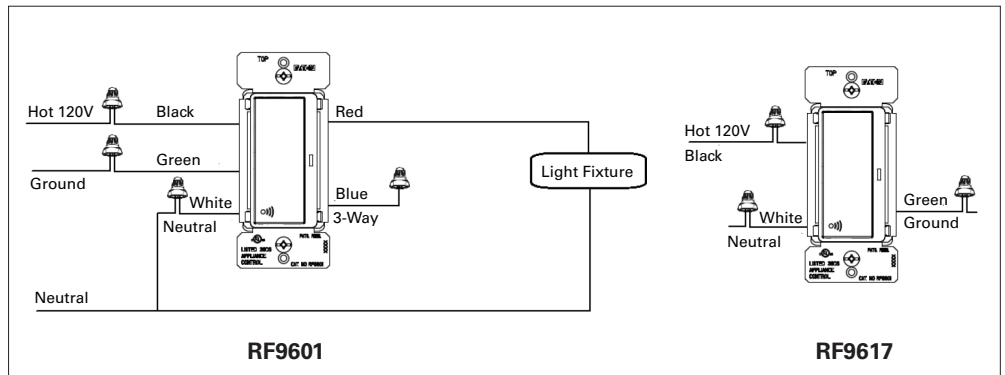


Figure 1. RF9617

Single-Pole Location Wiring Diagram



Multi-Location Wiring Diagram



Note: For multi-location control using Z-Wave association function, use with catalog no. RF9601.

Note: For multi-location control using the RF association function, use catalog no. RF9617.

Project Name:	Prepared By:
Project Number:	Date:
Catalog Number:	Type:

Certifications & Compliances

Catalog No.    
RF9617

KEY:  cULus  NOM  FCC  Z-Wave Plus

Related Products

Z-Wave controller



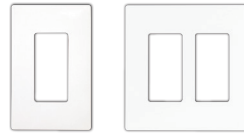
Eaton home automation hub

Z-Wave Plus wireless products



RF9601, RF9640-N, RFTR9605-T

Wallplates



PJS26, PJS262

Compliances, specifications and availability are subject to change without notice.

Electrical Sector
203 Cooper Circle
Peachtree City, GA 30269
United States
Eaton.com
Eaton.com/wiringdevices

Electrical Sector
Canada Operations
5925 McLaughlin Road
Mississauga, Ontario, L5R 1B8
Canada
EatonCanada.ca
Eaton.com/wiringdevices

Electrical Sector
Mexico Operations
Carr. Tlalnepantla -
Cuautitlan Km 17.8 s/n
Col. Villa Jardin esq.
Cerrada 8 de Mayo
Cuautitlan, Mexico CP 54800
Mexico
Eaton.mx
Eaton.com/wiringdevices