

Wi-Fi smart switch

Project Name:	Prepared By:
Project Number:	Date:
Catalog Number:	Type:

Description

Single pole, 3-way, 15A, 120V/AC, 60Hz, 1/2 HP

Design features

- Set up and control switch using the Amazon Alexa App or by voice commands
- No hub required
- LED indicator system alerts if the device is not set up in the network
- Preset whether your device comes on or stays off following a power outage
- Adjust how long lights stay on to allow for a safe, convenient exit
- Neutral required for installation
- Dimmable white LED indicators illuminate to indicate (ON, OFF) status
- Can be wired with standard 3-way switch where traveler wire exists for 3-way
- Rated for 1/2 HP motor loads



WFSW15

Table 1. Wi-Fi smart switch

Catalog No.	Description	Color suffix
□ WFSW15_	Wi-Fi smart switch	W, LA, C2, C6, C7

Compliances, specifications and availability are subject to change without notice.



Powering Business Worldwide

Project Name:	Prepared By:
Project Number:	Date:
Catalog Number:	Type:

Applications

Eaton's Wi-Fi smart switch replaces regular switches (where a neutral is present) to provide local and remote ON/OFF control for LED, CFL, INC, MLV, ELV, and FLR lighting loads. The switch can be remotely controlled and the user can create routines, schedules and group devices using the Amazon Alexa App. Ideal for controlling outdoor lights, hallways, and pool pumps, the Wi-Fi smart switch makes controlling your home easier.

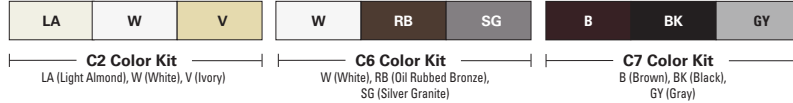
Table 2. Specifications

Catalog No.	WFSW15
Performance	Maximum Amperage: 15A, 1/2 HP Motor loads Rating: 120V/AC, 60Hz
Installation & Programming	Please reference the Instruction Sheet included with the product for wiring installation. For programming of the device, see the Wi-Fi smart switch Quick Start Guide
Testing & Code Compliance	cULus Listed 244B. NOM Certified. Complies with FCC Part 15, Class B.
Terminations	Switch has screw terminals for line, load, ground, neutral and traveler wire
Material Characteristics	Flammability: Meets UL94 requirements; V2 rated Temperature Rating: 32°F to 104°F (0°C to 40°C)
Warranty	2-year limited product warranty

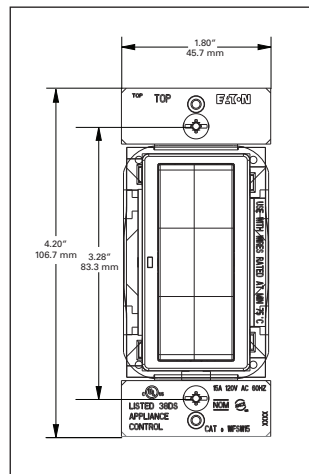
Table 3. Color Ordering Information

For ordering devices, include Catalog No. followed by the Color Suffix: LA (Light Almond), W (White), C2 (Color Change Kit: LA, W, V), C6 (Color Change Kit: W, RB, SG), C7 (Color Change Kit: B, BK, GY)

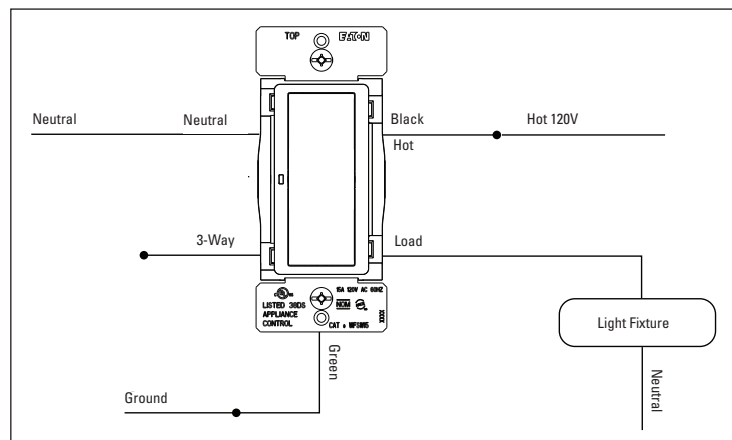
Decorator series color options:



Product Dimensions

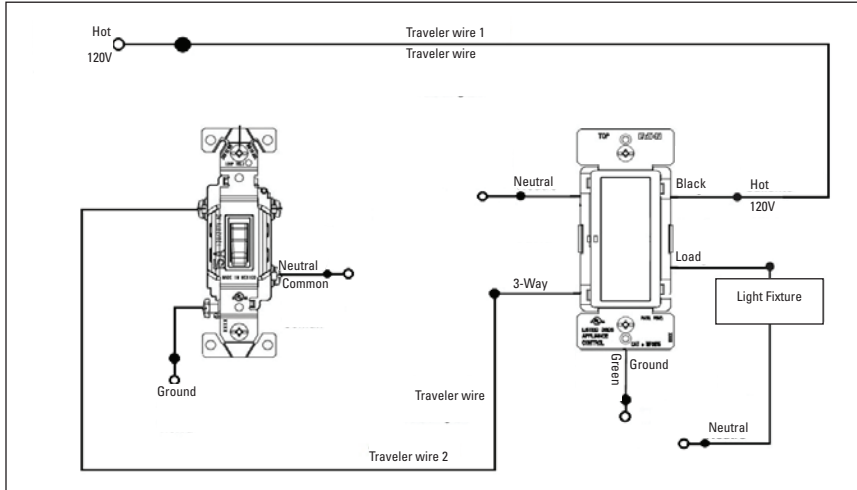


Single Location Control Installation (WFSW15)



Project Name:	Prepared By:
Project Number:	Date:
Catalog Number:	Type:

Two Location Control Using a 3-Way Switch



Certifications & Compliances

Catalog No.	cULus	NOM 426	FC
WFSW15	•	•	•

KEY: cULus cULus NOM 426 NOM FC FCC

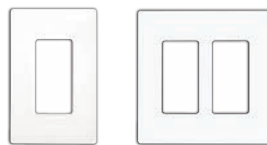
Related Products

Wi-Fi smart products



WFD30, WACD, WFTRCR15

Wallplates



PJS26, PJS262

Compliances, specifications and availability are subject to change without notice.

Electrical Sector
203 Cooper Circle
Peachtree City, GA 30269
United States
Eaton.com
Eaton.com/smarthome

Electrical Sector
Canada Operations
5925 McLaughlin Road
Mississauga, Ontario, L5R 1B8
Canada
EatonCanada.ca
Eaton.com/smarthome

Electrical Sector
Mexico Operations
Carr. Tlalnepantla -
Cuautitlan Km 17.8 s/n
Col. Villa Jardin esq.
Cerrada 8 de Mayo
Cuautitlan, Mexico CP 54800
Mexico
Eaton.mx
Eaton.com/smarthome



Eaton
1000 Eaton Boulevard
Cleveland, OH 44122
United States
Eaton.com

© 2021 Eaton
All Rights Reserved
Printed in USA
Publication No. TD610113EN (Rev. 1)
May 2021

Eaton is a registered trademark.
All other trademarks are property
of their respective owners.