

Weather protective kit with tamper & weather resistant receptacle

Project Name:	Prepared By:
Project Number:	Date:
Catalog Number:	Type:

Description

2 pole, 3-wire grounding
 15A, 125V/AC
 20A, 125V/AC



5-15R



S1962



1113



TWR270

Design features TWR duplex receptacle (TWR270)

- Provides compliance with 2017 NEC® Article 406.9 that states that all receptacles installed in wet and damp locations must be weather resistant
- “TR” designation provides visual identification that device has tamper resistant shutters preventing insertion of foreign objects
- “WR” identifier quickly indicates during inspections that a weather resistant receptacle has been installed
- Side-wire terminals accept up to #10 solid or stranded wire
- Push-in terminals accept #14 solid wire

Design features for stay open lid (S1962)

- UL Listed for wet locations with cover closed
- Meets 2014 NEC® 406.9 (A) and 406.9 (B)(2)
- Tough plastic construction resistant to high impact and sunlight

Design features for FS box (1113)

- Cast aluminum (non-metallic) construction
- Electrostatically painted with a baked, weather-resistant powder finish for exceptional durability
- UL Listed for wet and damp locations with appropriate cover installed
- Mounting lugs provide strength and durability on any mounting surface
- 3 hole 0.50" (12.70mm) diameter

Table 1. Weather protective kit

Catalog no.	Description	Color suffix
□ S1984TWR-__	Weather protective kit includes: (1) 15A, 125V, TWR duplex receptacle (TWR270), (1) Duplex receptacle vertical stay open lid (S1962) (1) 1-gang, 3 hole 0.50" (12.70mm) dia., weatherproof FS box (1113)	GY, W



Powering Business Worldwide

Project Name:	Prepared By:
Project Number:	Date:
Catalog Number:	Type:

Applications

Weather resistant receptacles are constructed of enhanced nylon and corrosion resistant metal components for use in damp and wet locations. Installing these receptacles properly in an approved weather protective cover ensures compliance with 2017 NEC Article 406.9. Tamper and weather resistant receptacles add a UL listed safety shutter system that prevents the insertion of foreign objects into receptacles to the weather resistant devices. Installing these receptacles properly in an approved weather protective cover ensures compliance with 2017 NEC Article 406.9 and 406.12. Areas of application include: residential decks, porches, patios, garages and yards; commercial convenience outlets in damp or wet areas; residential, multi-family or commercial dwelling units; residential, multi-family or commercial pool and spa areas; indoor or outdoor public facilities and recreation areas.

Table 2. Specifications

Catalog no.	TWR270 series
Receptacle type	Tamper & weather resistant residential grade duplex
Wiring type	Push & side wire
Testing & code compliance	<ul style="list-style-type: none"> • cULus Listed to UL498 • UL certified to CSA C22.2, no. 42 • NOM/ANSI certified
Environmental specifications	Flammability: Meets UL 94 requirements; V0 rated Temperature rating: -20°C to 60°C (-4°F to 140°F)
Electrical specifications	Dielectric voltage: Withstands 2000V per UL 498 Current interrupting: Yes, at full-rated current Temperature rise: Max. 30°C (86°F) after 100 cycles of overload
Mechanical specifications	Terminal accommodation: #14 - 10 AWG Voltage ratings: Permanently marked on device

Table 3. Materials

Catalog no.	TWR270 series
Body top	Thermoplastic, PVC
Body bottom	Thermoplastic, PVC
Strap	Nickel plated steel
Contacts	Brass alloy
Terminal screws	Brass/nickel plated stainless steel
Terminal clamps	N/A

Table 4. Color ordering information

For ordering devices, include Cat. no. followed by the color code:
GY (Gray), W (White)



Project Name:	Prepared By:
Project Number:	Date:
Catalog Number:	Type:

Product dimensions

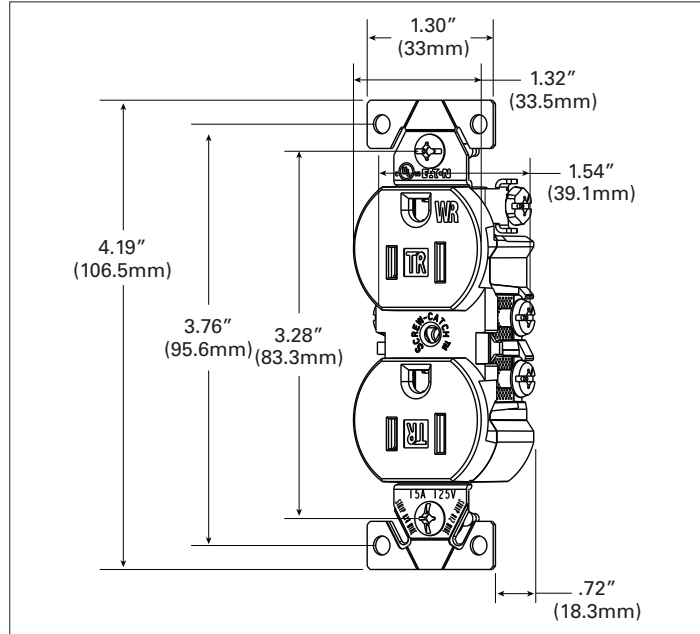


Figure 1. TWR270 Line art with dimensions

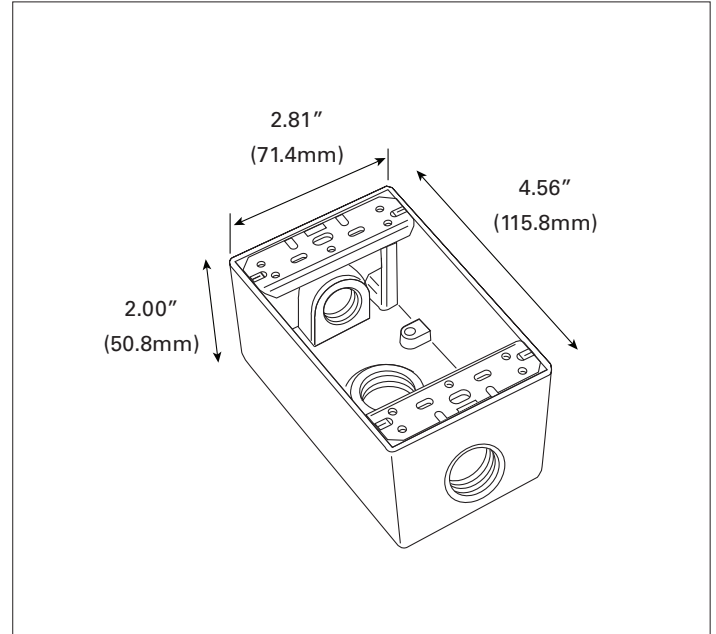


Figure 2. 1113 Line art with dimensions

Certifications & compliances

Catalog No.						
TWR270	•	•	•			
S1962	•	•				•
1113	•	•				•

KEY: cULus NAFTA NOM Build-To-Spec ROHS CSA

Parts are manufactured and designed in accordance with article 4 of the European Union's RoHS2 directive 2011/65/EU

Build-To-Spec Customizable Devices

Compliances, specifications and availability are subject to change without notice.

Electrical Sector
203 Cooper Circle
Peachtree City, GA 30269
United States
Eaton.com
Eaton.com/arrowhart

Electrical Sector
Canada Operations
5925 McLaughlin Road
Mississauga, Ontario, L5R 1B8
Canada
EatonCanada.ca
Eaton.com/arrowhart

Electrical Sector
Mexico Operations
Carr. Tlalnepantla -
Cuautitlán Km 178 s/n
Col. Villa Jardin esq.
Cerrada 8 de Mayo
Cuautitlán, México CP 54800
México
Eaton.mx
Eaton.com/arrowhart