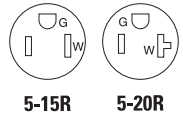


Arrow Hart USB charger with hospital grade tamper resistant duplex receptacle

| | |
|-----------------|--------------|
| Project Name: | Prepared By: |
| Project Number: | Date: |
| Catalog Number: | Type: |

Description

2-pole, 3-wire grounding
 15A, 125V/AC, 5V/DC, 3.1A
 20A, 125V/AC, 5V/DC, 3.1A
 NEMA 5-15, 5-20



TR8255W



TR8355W



Design features

- Hospital grade AC duplex receptacle with two USB charging ports rated at 3.1A
- Dual USB charging ports charge most compatible electronic devices that charge via a 5V charger adapter
- Three (3) pre-stripped 6" wire leads for line, neutral and ground for quick and easy installation
- Tamper resistant shutters provide compliance with 2014 NEC® Article 517.18(C) that states that receptacles located in pediatric areas of a hospital must be tamper resistant
- Replaces a standard duplex receptacle
- Automatic grounding system eliminates need for bonding jumper in grounded metal enclosure, provides redundant measure of ground continuity where jumper is used
- Thermoplastic top and back-body are virtually unbreakable to deliver years of durable performance
- Steel mounting strap is zinc plated for added corrosion resistance
- Convenient patented built-in wire strippers speed installations
- Triple wipe blade contacts and double wipe ground contacts to insure long-term blade retention

Table 1. USB charger with hospital grade tamper resistant duplex receptacles, pre-stripped wire leads

| Catalog no. | Description | Rating | | USB rating | | Color suffix |
|-----------------------------------|--|--------|------|------------|------|------------------|
| | | A | V/AC | Amp | V/DC | |
| <input type="checkbox"/> TR8255__ | USB charger with hospital grade tamper resistant duplex receptacle | 15 | 125 | 3.1 | 5 | GY, LA, RD, V, W |
| <input type="checkbox"/> TR8355__ | USB charger with hospital grade tamper resistant duplex receptacle | 20 | 125 | 3.1 | 5 | GY, LA, RD, V, W |

Compliances, specifications and availability are subject to change without notice.



Powering Business Worldwide

| | |
|-----------------|--------------|
| Project Name: | Prepared By: |
| Project Number: | Date: |
| Catalog Number: | Type: |

Applications

The Arrow Hart USB charger with hospital grade tamper resistant receptacle provides code compliance as well as convenience for today's rapidly changing technologies. These robust receptacles are challenged on a daily basis to provide a consistent, reliable means of connectivity. Additionally, they provide flexibility and convenience by adding USB charging ports for charging most electronic components, including tablets, e-readers, smart phones, mp3 players and more.

Table 2. Specifications

| Catalog no. | TR8255 & TR8355 series |
|---|---|
| Device type | USB hospital grade TR receptacle (TR8255 & TR8355) |
| Wiring type | Wire leads |
| Testing & code compliance | cULus Listed to UL498 and UL1310, File no. E15058 |
| Environmental specifications | Flammability: Meets UL94 requirements; V2 rated Temperature rating: -20°C to 60°C (-4°F to 140°F) |
| Electrical specifications: AC output | Dielectric voltage: Receptacle withstands 2000V per UL498 Temperature rise: Receptacle - max. 30°C (86°F) after 100 cycles of overload @ 150% of rated current (DC) |
| Electrical specifications: DC output | Switching frequency: Typical 140 kHz Output voltage: Nominal 5V (+/- 10%) Protection: Current limiting and thermal shutdown protection Output current: Constant current maximum 3.1A |
| Mechanical specifications | Terminations: Device can be wired using #14 or #12 AWG wires, three 6" pre-stripped wire leads for line, neutral and ground, #14 AWG for TR8255 and #12 AWG for TR8365 |

Table 3. Materials

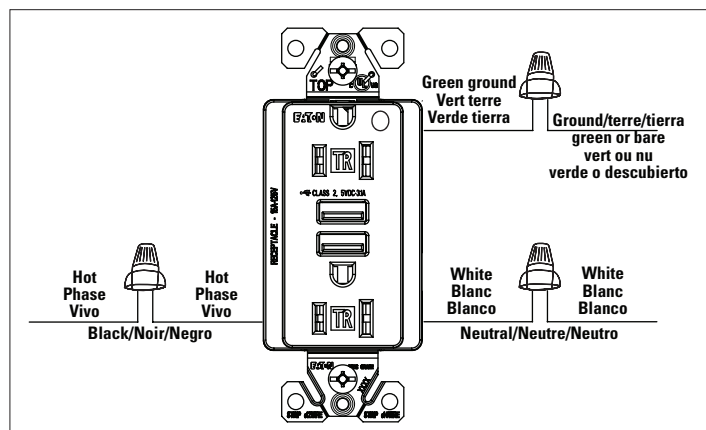
| Catalog no. | TR8355 & TR8355 series |
|-------------------------|-----------------------------------|
| Top housing | PC |
| Bottom housing | PC |
| Strap | 0.045" thick steel, zinc plated |
| Auto ground clip | Phosphor bronze |
| Line contacts | 0.030" thick brass |
| Ground contact | 0.014" thick brass |
| Terminal screws | N/A (wire leads) |
| Ground screw | N/A (wire leads) |
| Tamper resistant | Reliable Delrin® shutter assembly |

Table 4. Color ordering information

For ordering devices, include Cat. no. followed by the color code: GY (Gray), LA (Light Almond), V (Ivory), RD (Red), W (White)



Wiring diagram



| | |
|-----------------|--------------|
| Project Name: | Prepared By: |
| Project Number: | Date: |
| Catalog Number: | Type: |

Product dimensions

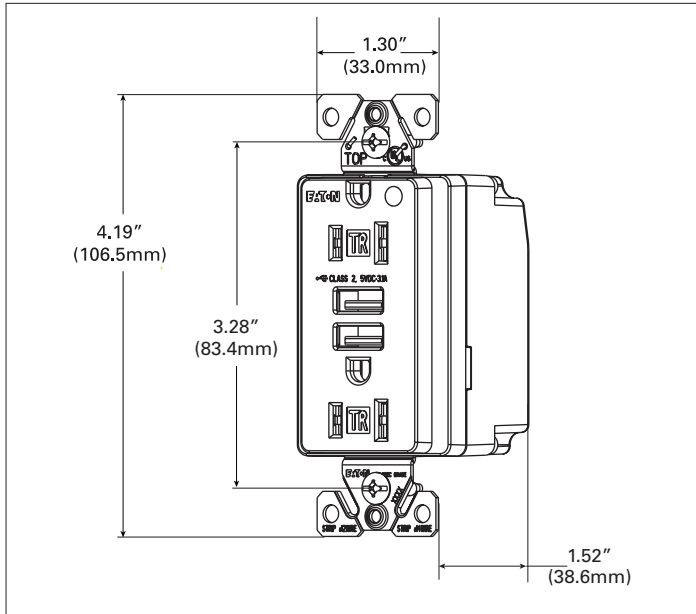


Figure 1. TR8255 Line art with dimensions

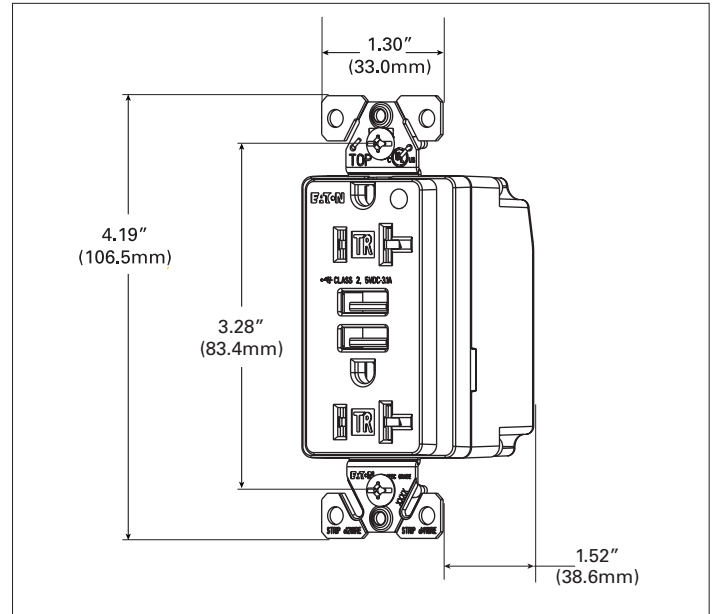


Figure 2. TR8355 Line art with dimensions

Certifications & compliances

| Catalog no. | cULus | NOM 426 |
|-------------|-------|---------|
| TR8255 | • | • |
| TR8355 | • | • |

KEY: cULus cULus NOM 426 NOM

Electrical Sector
203 Cooper Circle
Peachtree City, GA 30269
United States
Eaton.com
Cooperwiringdevices.com

Electrical Sector
Canada Operations
5925 McLaughlin Road
Mississauga, Ontario, L5R 1B8
Canada
EatonCanada.ca
Cooperwiringdevices.com

Electrical Sector
Mexico Operations
Carr. Tlalnepantla -
Cuautitlán Km 17.8 s/n
Col. Villa Jardín esq.
Cerrada 8 de Mayo
Cuautitlán, México CP 54800
México
Eaton.mx
Cooperwiringdevices.com

Eaton
1000 Eaton Boulevard
Cleveland, OH 44122
United States
Eaton.com

© 2015 Eaton
All Rights Reserved
Printed in USA
Publication No. TD620002EN
July 2015

Eaton is a registered trademark.

All other trademarks are property
of their respective owners.