

# Astronomic programmable timer

Project Name:	Prepared By:
Project Number:	Date:
Catalog Number:	Type:

## Description

Single pole & 3-way  
1800W, 120V/AC, 60 Hz

## Design features

- For use with lights and motors up to 1800 Watts
- No minimum wattage required
- 4 operating modes: manual, automatic, random, count down
- Automatic daylight savings function - no need to reprogram
- Connections: single pole or 3-way
- Can also be used like a conventional ON/OFF switch
- 7 customizable settings protected during power outage by built-in back-up battery that lasts up to 14 days
- Random mode adds security when away from home
- Great for use for porch lights, dwelling sconce lights and patio lights
- California Title 24 compliant



AT18HM



AT18HM  
Door open

**Table 1. Astronomic programmable timer**

Catalog no.	Description	Amps	Watts	V/AC	Color suffix
□ AT18HM_	Astronomic programmable timer	15	1800	120	W

Compliances, specifications and availability are subject to change without notice.



Powering Business Worldwide

Project Name:	Prepared By:
Project Number:	Date:
Catalog Number:	Type:

## Applications

Eaton's astronomic programmable timer (AT18HM) is used for indoor and outdoor lighting control. This programmable timer switch can store up to 7 unique programs. Its sleek design fits flush with standard wallplates. It works with incandescent, halogen, and LED lighting. The large and easy-to-read LCD screen displays the current day of the week, time, auto/manual mode, whether the load is ON or OFF, and if it's in programming mode. This unit also has a built-in rechargeable battery for protection during power outages.

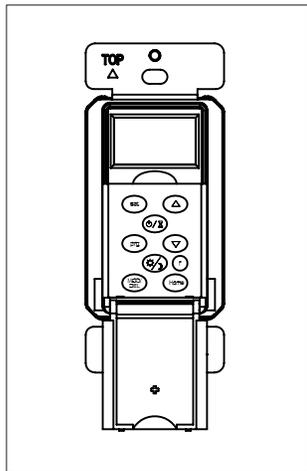
**Table 2. Specifications**

Catalog No.	AT18HM
<b>Performance</b>	Rating: 15A, 1800W, 120V/AC, 60 Hz
<b>Installation</b>	Please reference the instruction sheet included with the product for wiring installation.
<b>Testing &amp; Code Compliance</b>	UL/cUL Listed, California Title 24 compliant
<b>Material Characteristics</b>	<b>Tungsten:</b> 1200W <b>Ballast:</b> 1200VA <b>LED:</b> 150W <b>Motor:</b> 1/2 Hp
<b>Warranty</b>	2-year limited product warranty

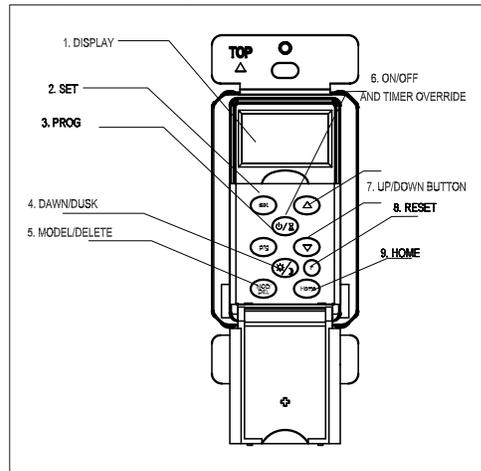
**Table 3. Available colors**

W
(White)

## Product image



## Display diagram



**Figure 1. AT18HM**

## Certifications & compliances

Catalog no.	ULus	ULcs	ULcs
AT18HM	•	•	•

**KEY:** cULus Title 24 Compliant

Electrical Sector  
203 Cooper Circle  
Peachtree City, GA 30269  
United States  
Eaton.com  
Eaton.com/wiringdevices

Electrical Sector  
Canada Operations  
5925 McLaughlin Road  
Mississauga, Ontario, L5R 1B8  
Canada  
EatonCanada.ca  
Eaton.com/wiringdevices

Electrical Sector  
Mexico Operations  
Carr. Tlalnepantla -  
Cuautitlan Km 17.8 s/n  
Col. Villa Jardin esq.  
Cerrada 8 de Mayo  
Cuautitlan, Mexico CP 54800  
Mexico  
Eaton.mx  
Eaton.com/wiringdevices

**Eaton**  
1000 Eaton Boulevard  
Cleveland, OH 44122  
United States  
Eaton.com

© 2020 Eaton  
All Rights Reserved  
Printed in USA  
Publication No. TD610120EN  
October 2020

Eaton is a registered trademark.

All other trademarks are property  
of their respective owners.

Project Name:	Prepared By:
Project Number:	Date:
Catalog Number:	Type: