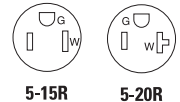


Arrow Hart extra heavy-duty hospital grade isolated ground straight blade decorator receptacles

Project Name:	Prepared By:
Project Number:	Date:
Catalog Number:	Type:

Description

2-Pole, 3-Wire Grounding
 15A 125V/AC;
 20A 125V/AC
 NEMA 5-15, 5-20



IG8262



TRIG8362

Design features

- Exclusive screw terminal guards provide fast, easy insulation from conductive surfaces
- Exclusive 5-leaf, brass line contacts provide consistent performance and superior plug retention
- Black tamper resistant shutters on TR models create a seamless look, while ensuring code compliance and preventing the insertion of foreign object
- Rigid, glass reinforced nylon base lends ultimate strength and superior high heat resistance in contact carrier
- 0.030" (0.76mm) solid brass, non-riveted, integral one-piece isolated grounding shunt system assures ground integrity under heaviest use – isolated from common building ground
- High impact and chemical-resistant nylon face
- Tapered lead-in slots on back wiring holes assist in gathering stranded wires for faster, more secure connections
- All terminal and mounting screws triple combination (Slot/Phillips/Robertson) head for maximum installer flexibility
- Long, broad mounting strap helps reach large panel cutouts for code compliance
- Automatic grounding system eliminates need for bonding jumper in grounded metal enclosure, provides redundant measure of ground continuity where jumper used

Table 1. Extra heavy-duty hospital grade isolated ground decorator receptacles, back & side wire

A	Rating		Description	Color suffix	Catalog no.
	V/AC	NEMA			
15	125	5-15R	IG hospital grade, decorator duplex receptacle	GY, RN, V, W	<input type="checkbox"/> IG8262__
			TR IG hospital grade decorator duplex receptacle	GY, RN, V, W	<input type="checkbox"/> TRIG8262__*
20	125	5-20R	IG hospital grade, decorator duplex receptacle	GY, RN, V, W	<input type="checkbox"/> IG8362
			TR IG hospital grade decorator duplex receptacle	GY, RN, V, W	<input type="checkbox"/> TRIG8362__*

* Not NOM Certified



Powering Business Worldwide

Project Name:	Prepared By:
Project Number:	Date:
Catalog Number:	Type:

Applications

The grounding network in any commercial building serves as a means of protection for both people and equipment. However, it can also serve as a conductor for electromagnetic interference or electronic noise. Electronic noise can distort electronic signals and ultimately cause sensitive electronic equipment to operate improperly. In a healthcare environment, the transfer of reliable, “undistorted” information is crucial. Arrow Hart’s line of extra heavy-duty hospital grade isolated ground receptacles utilize our exclusive 0.030” solid brass, non-riveted, integral one-piece isolated grounding shunt system to assure ground integrity under the heaviest use.

Table 2. Specifications

Catalog No.	IG8262, IG8362 Series	TRIG8262, TRIG8362 Series
Device type	Extra heavy-duty hospital grade isolated ground decorator receptacles	Extra heavy-duty tamper resistant hospital grade isolated ground decorator receptacles
Wiring type	Back & side wire	Back & side wire
Testing & code compliance	<ul style="list-style-type: none"> Listed to UL498, file no. E15058 UL verified to Fed Spec WC-596G CSA certified to C22.2, no. 42, file no. 6914 (6233-01) NOM certified Complies with NEMA WD-1 & NEMA WD-6 	<ul style="list-style-type: none"> cULus Listed to UL1449 and UL498, file no. E2369 Complies with NEMA WD-1 & NEMA WD-6
Environmental specifications	Flammability: Meets UL 94 requirements; V2 rated Temperature rating: -20°C to 70°C (-4°F to 158°F)	Flammability: Meets UL 94 requirements; V2 rated Temperature rating: -40°C to 60°C (-40°F to 140°F)
Electrical specifications	Dielectric voltage: Withstands 2000V per UL 498 Current interrupting: Yes, at full-rated current Temperature rise: Max. 30°C (86°F) after 250 cycles of overload @ 200% of rated current (DC)	Dielectric voltage: Withstands 2000V per UL 498 Current interrupting: Yes, at full-rated current Temperature rise: Max. 30°C (86°F) after 100 cycles of overload @ 150% of rated current (DC)
Mechanical specifications	Terminal accommodation: #14 - 10 AWG Voltage ratings: Permanently marked on device	Terminal accommodation: #14 - 10 AWG Voltage ratings: Permanently marked on device

Table 3. Materials

Catalog No.	IG8262, IG8362 Series	TRIG8262, TRIG8362 Series
Face	Nylon	Thermoplastic, nylon
Base	Glass-filled nylon	Nylon
Strap	0.046” thick brass plated steel, 1-piece isolated ground shunt	0.050” thick steel, zinc plated with gold chromate
Auto ground	Brass clip	Brass clip
Line contacts	0.031” thick 5-leaf 688 grade high-performance brass	0.030” triple wipe brass
Ground contact	1-piece isolated ground shunt	1-piece isolated ground shunt
Terminal screws	#8-32 brass, neutral screw nickel plated	#8-32 brass, neutral screw nickel plated
Ground screw	#8-32 brass, green	#8-32 brass, green
Screw terminal guards	PVC hinged doors	N/A

Table 4. Color ordering information

For ordering devices, include Cat. No. followed by the color code: GY (Gray), RN (Orange), V (Ivory), W (White)

GY	RN	V	W
Gray	Orange	Ivory	White

Project Name:	Prepared By:
Project Number:	Date:
Catalog Number:	Type:

Product dimensions

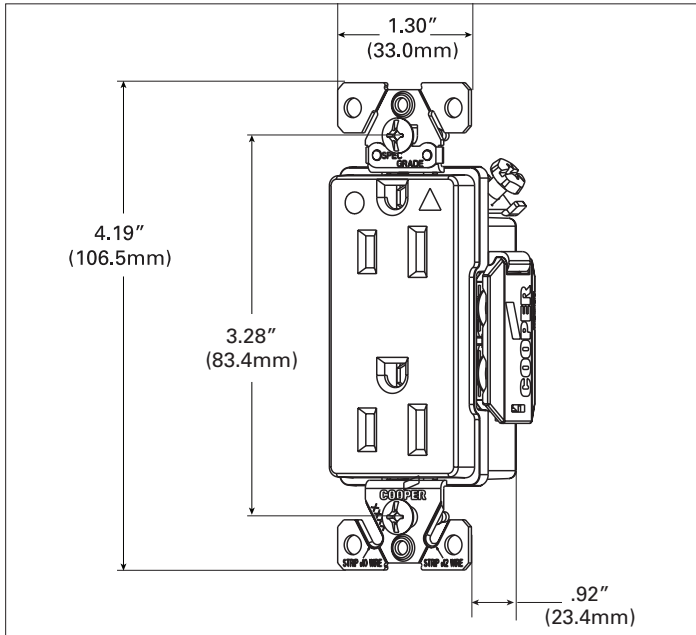


Figure 1. IG8262 Line art with dimensions

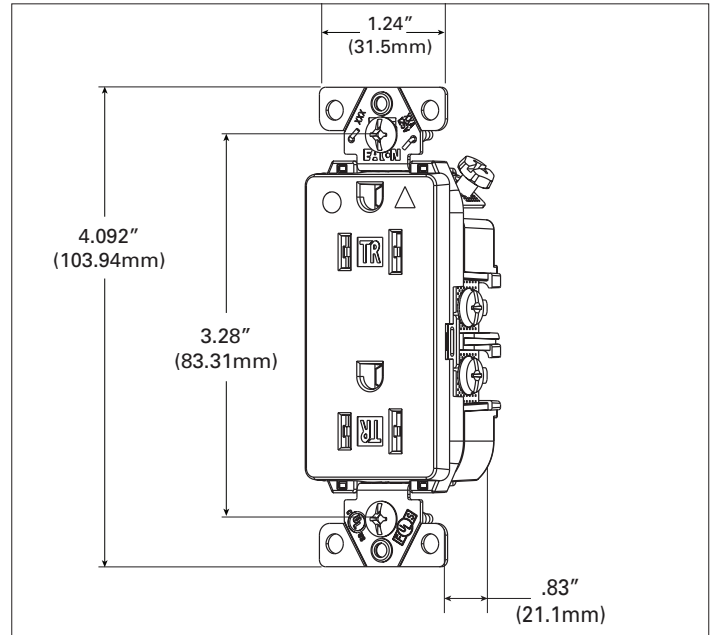





Figure 2. TRIG8362 Line art with dimensions

Certifications & compliances

Catalog No.				
IG8262	•	•	•	
IG8362	•	•	•	
TRIG8262	•	•		
TRIG8362	•	•		

KEY:  cULus  UL  Fed Spec  Indicates USMCA compliant
 NOM  Arrowlink

Compliances, specifications and availability are subject to change without notice.

Electrical Sector
203 Cooper Circle
Peachtree City, GA 30269
United States
Eaton.com
Eaton.com/wiringdevices

Electrical Sector
Canada Operations
5925 McLaughlin Road
Mississauga, Ontario, L5R 1B8
Canada
EatonCanada.ca
Eaton.com/wiringdevices

Electrical Sector
Mexico Operations
Carr. Tlalnepantla -
Cuautitlan Km 17.8 s/n
Col. Villa Jardin esq.
Cerrada 8 de Mayo
Cuautitlan, Mexico CP 54800
Mexico
Eaton.mx
Eaton.com/wiringdevices