

Arrow Hart 63A IEC 309 Watertight pin & sleeve devices

Project Name:	Prepared By:
Project Number:	Date:
Catalog Number:	Type:

Product Description - International

63A;
 2-pole, 3-wire grounding;
 3-pole, 4-wire grounding;
 4-pole, 5-wire grounding



AH563R6W



AH563P6W



AH563C6W



AH563B6W

Pin & sleeve plugs features & benefits

- Mechanical cord clamp with silicone rubber grommet seal and locking screw ensures a positive and watertight strain relief system
- Tri-combo cord grip screws for convenience
- Durable impact resistant thermoplastic body
- Color-coded front housing for easy and accurate identification of voltages
- Oversized grounding pin assures mating only with oversized female grounding sleeve; staggered contact to ensure ground makes first and breaks last
- Engineered thermoplastic material improves cold impact performance
- Spring-loaded self-closing cap with silicone rubber gasket protects contacts when not in use. Watertight cap meets IP67 and IP69K protection standards
- Rugged materials selected for use in wet locations; provides corrosion resistance
- Standard mounting footprints and blind holes provide interchangeability with major brands
- Nickel plated pins offer long life corrosion protection
- Pins fully shrouded for mechanical protection; lockout hole for plugs
- Threaded NPT cable entry provides efficient means of attaching flexible conduit or wire mesh grips
- Tapered wiring pockets to ease insertion of stranded wire; deep pockets with clear markings keep bare conductors isolated

Compliances, specifications and availability are subject to change without notice.



Powering Business Worldwide

Project Name:	Prepared By:
Project Number:	Date:
Catalog Number:	Type:

Table 1. 63A Pin & sleeve devices for receptacles, plugs, connectors & inlets













Rating A	Poles/wires	V/AC, color coding & configurations	Receptacle catalog no.	Plug catalog no.	Connector catalog no.	Inlet catalog no.
63	2-P, 3-W	220-240V	 AH363R6W	 AH363P6W	 AH363C6W	 AH363B6W
	3-P, 4-W	380-415V	 AH463R6W	 AH463P6W	 AH463C6W	 AH463B6W
	4-P, 5-W	220/380 240/415	 AH563R6W	 AH563P6W	 AH563C6W	 AH563B6W

Table 2. Ordering matrix

Pin & sleeve device sample number: AH416P6W

AH **5** **63** **P** **6** **W**

# of wires	Amperage	Pin & sleeve devices product type	Clock position of female grounding contract
3 = 3-wire 4 = 4-wire 5 = 5-wire	16 = 16 amps 32 = 32 amps 63 = 63 amps 125 = 125 amps	P = Plug C = Connector R = Receptacle B = Inlet	3 = 380V/AC, 50Hz - 440V/AC, 60Hz 4 = 125V/AC 5 = 277V/AC or 3Ø 600V/AC or 3Ø 347/600V/AC 6 = 250V/AC or 380-415V/AC or 220/380-240/415V/AC 7 = 480V/AC or 3Ø 480V/AC or 3ØY 277/480V/AC 9 = 380-415V/AC or 3Ø 250V/AC or 3ØY 120/208V/AC 11 = 440-460V/AC, 60Hz 12 = 125/250V/AC

Note:
Exceptions for pin & sleeve devices:
Not every clock face position available for each pole/amp/device combo.
Consult your Eaton wiring devices representative for details.

Applications

The industry's first pin & sleeve devices that are designed to address high pressure, high temperature washdown applications. Arrow Hart's pin and sleeve devices are unlike other brands - our devices are the industry's first to offer IP69K rated protection. Each device has been carefully engineered to offer reliability, efficiency, and added safety protection in demanding wet locations, particularly where harsh washdowns are a must!

Project Name:	Prepared By:
Project Number:	Date:
Catalog Number:	Type:

Table 3. Specifications

Device Type	63A pin & sleeve receptacles	63A pin & sleeve plugs	63A pin & sleeve connectors	63A pin & sleeve inlets
Testing & code compliance	Base device: Classified to IEC standards 60309-1 and 60309-2	Base device: Classified to IEC standards 60309-1 and 60309-2	Base device: Classified to IEC standards 60309-1 and 60309-2	Base device: Classified to IEC standards 60309-1 and 60309-2
Environmental specifications	Flammability: Meets UL94 requirements; HB rated (housing), V0 rated (contact carriers) Protection: Watertight to IP67 per IEC 60529 & IP69K to DIN 40050 Part 9	Flammability: Meets UL94 requirements; HB rated (housing), V0 rated (contact carriers) Protection: Watertight to IP67 per IEC 60529 & IP69K to DIN 40050 Part 9	Flammability: Meets UL94 requirements; HB rated (housing), V0 rated (contact carriers) Protection: Watertight to IP67 per IEC 60529 & IP69K to DIN 40050 Part 9	Flammability: Meets UL94 requirements; HB rated (housing), V0 rated (contact carriers) Protection: Watertight to IP67 per IEC 60529 & IP69K to DIN 40050 Part 9
Electrical specifications	Dielectric voltage: 50-415V: 2000V, 415-500V: 2500V Maximum working voltage: 480V Breaking capacity: Tested at 110% rated voltage & 125% rated current Temperature rise: 50°C Max. Normal operation: 2000 cycles	Dielectric voltage: 50-415V: 2000V, 415-500V: 2500V Maximum working voltage: 480V Breaking capacity: Tested at 110% rated voltage & 125% rated current Temperature rise: 50°C Max. Endurance: 2000 cycles	Dielectric voltage: 50-415V: 2000V, 415-500V: 2500V Maximum working voltage: 480V Breaking capacity: Tested at 110% rated voltage & 125% rated current Temperature rise: 50°C Max. Endurance: 2000 cycles	Dielectric voltage: 50-415V: 2000V, 415-500V: 2500V Maximum working voltage: 480V Breaking capacity: Tested at 110% rated voltage & 125% rated current Temperature rise: 50°C Max. Endurance: 2000 cycles
Mechanical specifications	Voltage ratings: Marked on device Impact resistance: IEC60309-1 Cable grip retention: IEC60309-2	Voltage ratings: Marked on device Impact resistance: IEC60309-1 Cable grip retention: IEC60309-2	Voltage ratings: Marked on device Impact resistance: IEC60309-1 Cable grip retention: IEC60309-2	Voltage ratings: Marked on device Impact resistance: IEC60309-1 Cable grip retention: IEC60309-2

Table 4. Materials

Device type	63A pin & sleeve receptacles	63A pin & sleeve plugs	63A pin & sleeve connectors	63A pin & sleeve inlets
Housing & flange	Nylon PA6	Nylon PA6	Nylon PA6	Nylon PA6
Back body	N/A	Nylon PA6-GF30	Nylon PA6-GF30	N/A
Contact carrier	Nylon PA6	Nylon PA6	Nylon PA6	Nylon PA6
Sleeves	Nickel plated brass	N/A	Nickel plated brass	N/A
Contact spring on sleeves	Nickel plated spring steel	N/A	Nickel plated spring steel	N/A
Pins	N/A	Nickel plated brass	N/A	Nickel plated brass
External strain relief clamp	N/A	Nylon PA6-GF30	Nylon PA6-GF30	N/A
Cable seal	N/A	Silicon rubber	Silicon rubber	N/A
Support washer for cord grip	N/A	Plated steel	Plated steel	N/A
Cover	N/A	Nylon PA6-GF30	N/A	Nylon PA6-GF30
Hinge pin	Nylon PA6-GF30	N/A	Nylon PA6-GF30	N/A
Cover spring	Nickel plated spring steel	N/A	Nickel plated spring steel	N/A
Cover gasket	Silicon rubber	N/A	Silicon rubber	N/A
Flange gasket	Silicon rubber	N/A	N/A	Silicon rubber
Terminal screws	Nickel plated steel	Nickel plated steel	Nickel plated steel	Nickel plated steel
Assembly screws	Stainless steel	Stainless steel	Stainless steel	Stainless steel

Project Name:	Prepared By:
Project Number:	Date:
Catalog Number:	Type:

Product Dimensions

63A Receptacles, Front, Side & Back Views

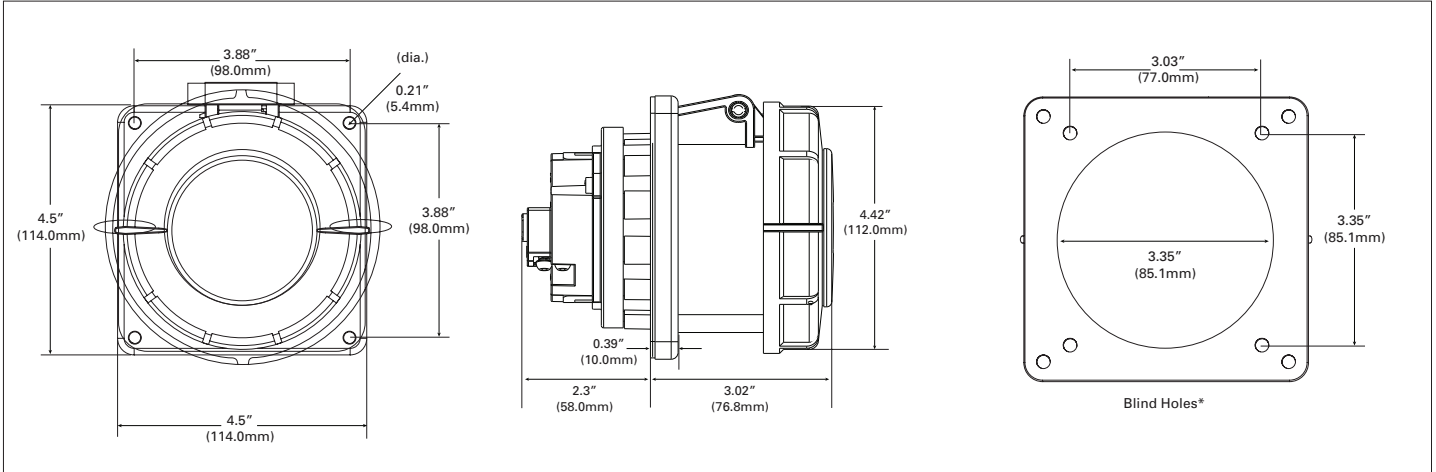


Figure 1. 63A Receptacles, Front, Side & Back Views

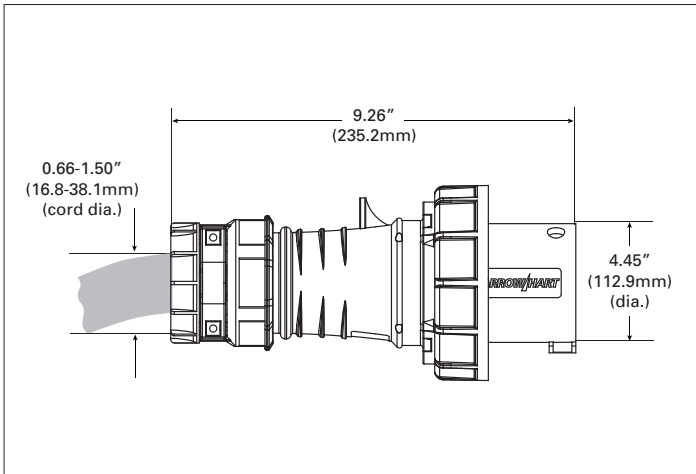


Figure 2. 63A Plugs Side View

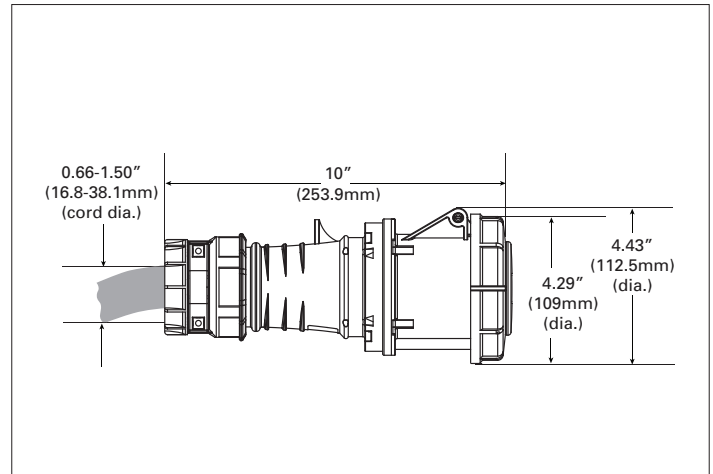


Figure 3. 63A Connectors Side View

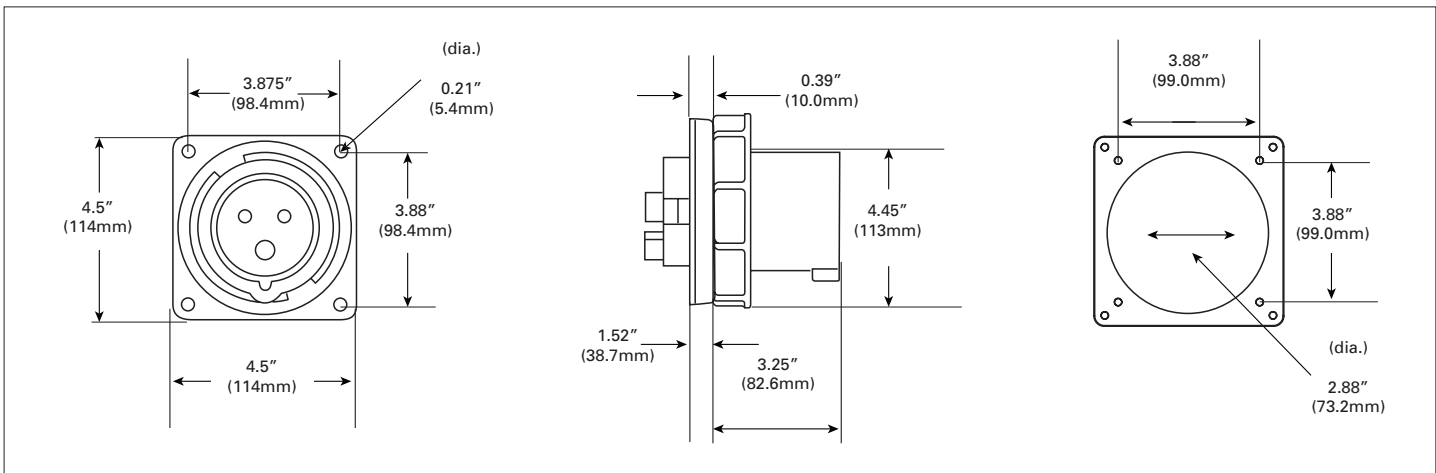



Figure 4. 63A Inlets, Front, Side & Back Views

Project Name:	Prepared By:
Project Number:	Date:
Catalog Number:	Type:

Certifications & Compliances

Catalog No.				
AH363R6W	AH363P6W	AH363C6W	AH363B6W	•
AH463R6W	AH463P6W	AH463C6W	AH463B6W	•
AH563R6W	AH563P6W	AH563C6W	AH563B6W	•

KEY:  IEC

Compliances, specifications and availability are subject to change without notice.

Electrical Sector
203 Cooper Circle
Peachtree City, GA 30269
United States
Eaton.com
Eaton.com/wiringdevices

Electrical Sector
Canada Operations
5925 McLaughlin Road
Mississauga, Ontario, L5R 1B8
Canada
EatonCanada.ca
Eaton.com/wiringdevices

Electrical Sector
Mexico Operations
Carr. Tlalnepantla -
Cuautitlan Km 17.8 s/n
Col. Villa Jardin esq.
Cerrada 8 de Mayo
Cuautitlan, Mexico CP 54800
Mexico
Eaton.mx
Eaton.com/wiringdevices

Eaton
1000 Eaton Boulevard
Cleveland, OH 44122
United States
Eaton.com

© 2018 Eaton
All Rights Reserved
Printed in USA
Publication No. TD630041EN
November 2018

Eaton is a registered trademark.

All other trademarks are property
of their respective owners.