

16A & 32A IEC 309 Watertight pin & sleeve devices

Project Name:	Prepared By:
Project Number:	Date:
Catalog Number:	Type:

Product Description - International

16A & 32A;
2-pole, 3-wire grounding;
3-pole, 4-wire grounding;
4-pole, 5-wire grounding



AH416R6W



AH416P6W



AH416C6W



AH416B6W

Pin & sleeve plugs features & benefits

- Mechanical cord clamp with silicone rubber grommet seal and locking screw ensures a positive and watertight strain relief system
- Tri-combo cord grip screws for convenience
- Durable impact resistant thermoplastic body
- Color-coded front housing for easy and accurate identification of voltages
- Oversized grounding pin assures mating only with oversized female grounding sleeve; staggered contact to ensure ground makes first and breaks last
- Engineered thermoplastic material improves cold impact performance
- Spring-loaded self-closing cap with silicone rubber gasket protects contacts when not in use. Watertight cap meets IP67 and IP69K protection standards
- Rugged materials selected for use in wet locations; provides corrosion resistance
- Standard mounting footprints and blind holes provide interchangeability with major brands
- Nickel plated pins offer long life corrosion protection
- Pins fully shrouded for mechanical protection; lockout hole for plugs
- Threaded NPT cable entry provides efficient means of attaching flexible conduit or wire mesh grips
- Tapered wiring pockets to ease insertion of stranded wire; deep pockets with clear markings keep bare conductors isolated

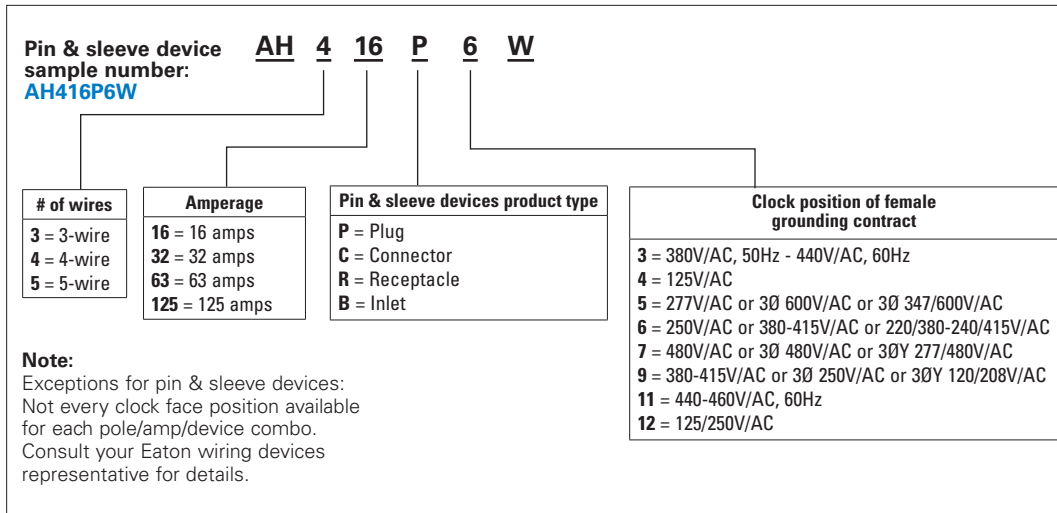
Compliances, specifications and availability are subject to change without notice.

Project Name:	Prepared By:
Project Number:	Date:
Catalog Number:	Type:

Table 1. 16A & 32A Pin & sleeve devices for receptacles, plugs, connectors & inlets

Rating A	Poles/wires	V/AC, color coding & configurations	Receptacle catalog no.	Plug catalog no.	Connector catalog no.	Inlet catalog no.
16	2-P, 3-W	110-130V	AH316R4W	AH316P4W	AH316C4W	AH316B4W
	2-P, 3-W	220-240V	AH316R6W	AH316P6W	AH316C6W	AH316B6W
	3-P, 4-W	380-415V	AH416R6W	AH416P6W	AH416C6W	AH416B6W
	4-P, 5-W	220/380 240/415	AH516R6W	AH516P6W	AH516C6W	AH516B6W
32	2-P, 3-W	110-130V	AH332R4W	AH332P4W	AH332C4W	AH332B4W
	2-P, 3-W	220-240V	AH332R6W	AH332P6W	AH332C6W	AH332B6W
	3-P, 4-W	380/440V	AH432R3W	AH432P3W	AH432C3W	AH432B3W
	3-P, 4-W	380-415V	AH432R6W	AH432P6W	AH432C6W	AH432B6W
	4-P, 5-W	220/380 240/415	AH532R6W	AH532P6W	AH532C6W	AH532B6W

Table 2. Ordering matrix



Applications

The industry's first pin & sleeve devices that are designed to address high pressure, high temperature washdown applications. Arrow Hart's pin and sleeve devices are unlike other brands - our devices are the industry's first to offer IP69K rated protection. Each device has been carefully engineered to offer reliability, efficiency, and added safety protection in demanding wet locations, particularly where harsh washdowns are a must!

Project Name:	Prepared By:
Project Number:	Date:
Catalog Number:	Type:

Table 3. Specifications

Device Type	16A & 32A pin & sleeve receptacles	16A & 32A pin & sleeve plugs	16A & 32A pin & sleeve connectors	16A & 32A pin & sleeve inlets
Testing & code compliance	Base device: Classified to IEC standards 60309-1 and 60309-2	Base device: Classified to IEC standards 60309-1 and 60309-2	Base device: Classified to IEC standards 60309-1 and 60309-2	Base device: Classified to IEC standards 60309-1 and 60309-2
Environmental specifications	Flammability: Meets UL94 requirements; HB rated (housing), V0 rated (contact carriers) Protection: Watertight to IP67 per IEC 60529 & IP69K to DIN 40050 Part 9	Flammability: Meets UL94 requirements; HB rated (housing), V0 rated (contact carriers) Protection: Watertight to IP67 per IEC 60529 & IP69K to DIN 40050 Part 9	Flammability: Meets UL94 requirements; HB rated (housing), V0 rated (contact carriers) Protection: Watertight to IP67 per IEC 60529 & IP69K to DIN 40050 Part 9	Flammability: Meets UL94 requirements; HB rated (housing), V0 rated (contact carriers) Protection: Watertight to IP67 per IEC 60529 & IP69K to DIN 40050 Part 9
Electrical specifications	Dielectric voltage: 50-415V: 2000V, 415-500V: 2500V Maximum working voltage: 480V Breaking capacity: Tested at 110% Temperature rise: 50°C Max. Endurance: 16A - 5000 cycles 32A - 2000 cycles	Dielectric voltage: 50-415V: 2000V, 415-500V: 2500V Maximum working voltage: 480V Breaking capacity: Tested at 110% Temperature rise: 50°C Max. Endurance: 16A - 5000 cycles 32A - 2000 cycles	Dielectric voltage: 50-415V: 2000V, 415-500V: 2500V Maximum working voltage: 480V Breaking capacity: Tested at 110% Temperature rise: 50°C Max. Endurance: 16A - 5000 cycles 32A - 2000 cycles	Dielectric voltage: 50-415V: 2000V, 415-500V: 2500V Maximum working voltage: 480V Breaking capacity: Tested at 110% Temperature rise: 50°C Max. Endurance: 16A - 5000 cycles 32A - 2000 cycles
Mechanical Specifications	Voltage ratings: Marked on device Impact resistance: IEC60309-1 Cable grip retention: IEC60309-1	Voltage ratings: Marked on device Impact resistance: IEC60309-1 Cable grip retention: IEC60309-1	Voltage ratings: Marked on device Impact resistance: IEC60309-1 Cable grip retention: IEC60309-1	Voltage ratings: Marked on device Impact resistance: IEC60309-1 Cable grip retention: IEC60309-1

Table 4. Materials

Device type	16A & 32A pin & sleeve receptacles	16A & 32A pin & sleeve plugs	16A & 32A pin & sleeve connectors	16A & 32A pin & sleeve inlets
Housing & flange	Nylon PA6-GF30	Nylon PA6-GF30	Nylon PA6-GF30	Nylon PA6
Back body	N/A	Nylon PA6-GF30	Nylon PA6-GF30	N/A
Contact carrier	Nylon PA6-FR	Nylon PA6-FR	Nylon PA6	N/A
Sleeves	Nickel plated brass	N/A	Nickel plated brass	N/A
Contact spring on sleeves	Nickel plated spring steel	N/A	Nickel plated spring steel	N/A
Pins	N/A	Nickel plated brass	N/A	Nickel plated brass
External strain relief clamp	N/A	Nylon PA6-GF30	Nylon PA6-GF30	N/A
Cable seal	N/A	Silicon rubber	Silicon rubber	N/A
Support washer for cord grip	N/A	Plated steel	Plated steel	N/A
Cover	Nylon PA6-GF30	N/A	Nylon PA6-GF30	N/A
Hinge pin	Nylon PA6-GF30	N/A	Nylon PA6-GF30	N/A
Cover spring	Stainless steel	N/A	Stainless steel	N/A
Cover gasket	Silicon rubber	Silicon rubber	Silicon rubber	Silicon rubber
Flange gasket	Silicon rubber	Silicon rubber	Silicon rubber	Silicon rubber
Terminal screws	Nickel plated steel	Nickel plated steel	Nickel plated steel	Nickel plated steel
Assembly screws	Stainless steel	Stainless steel	Stainless steel	Stainless steel

Project Name:	Prepared By:
Project Number:	Date:
Catalog Number:	Type:

Product Dimensions

16A Receptacles, Front, Side & Back Views

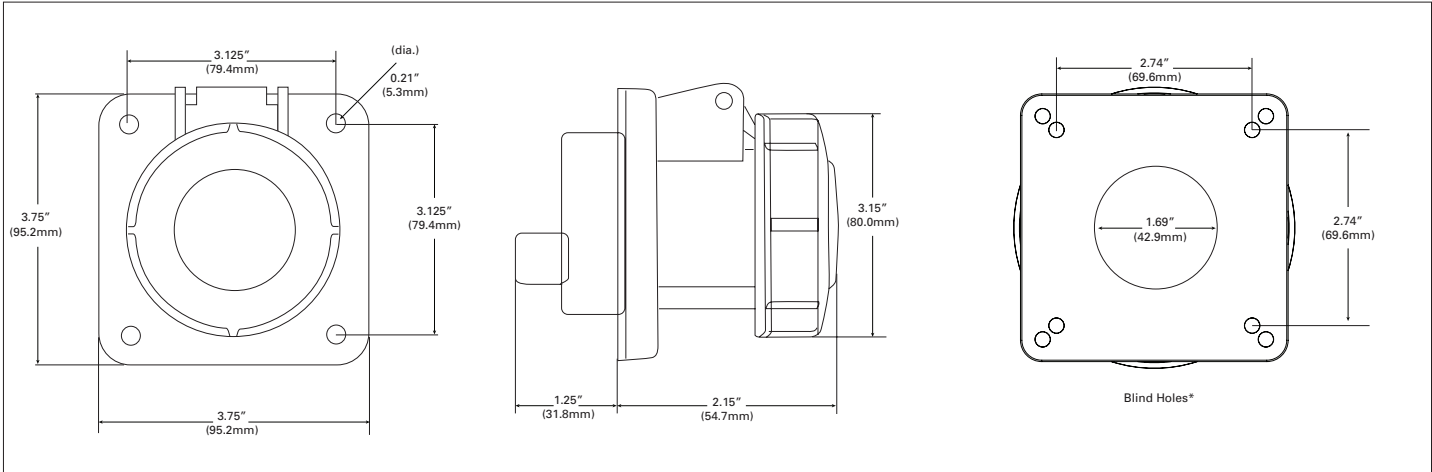


Figure 1. 16A 2-P, 3-W Receptacles, Front, Side & Back Views

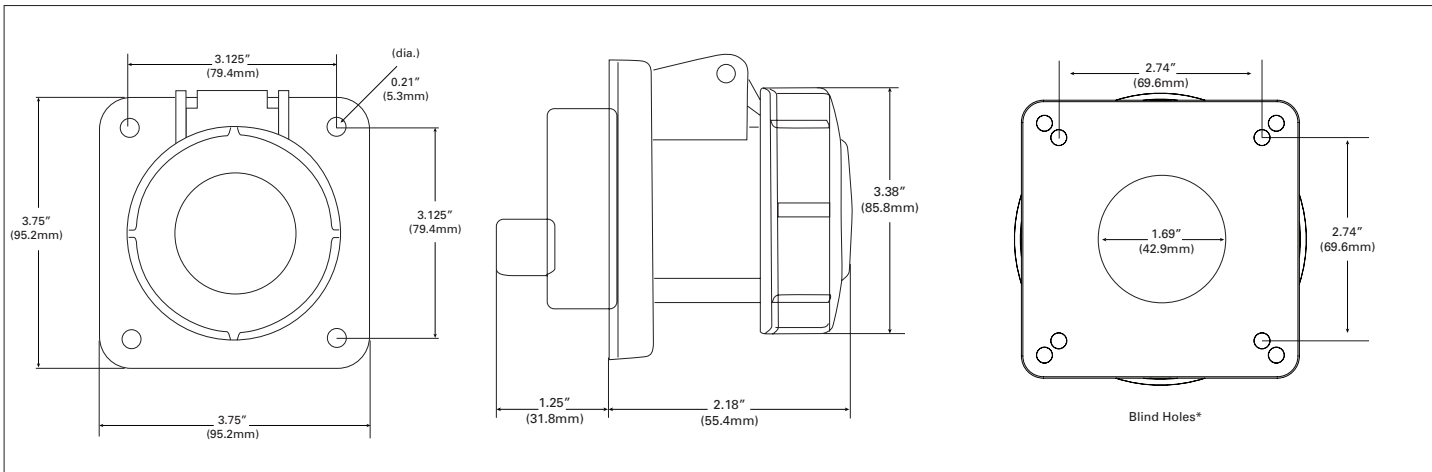


Figure 2. 16A 3-P, 4-W Receptacles, Front, Side & Back Views

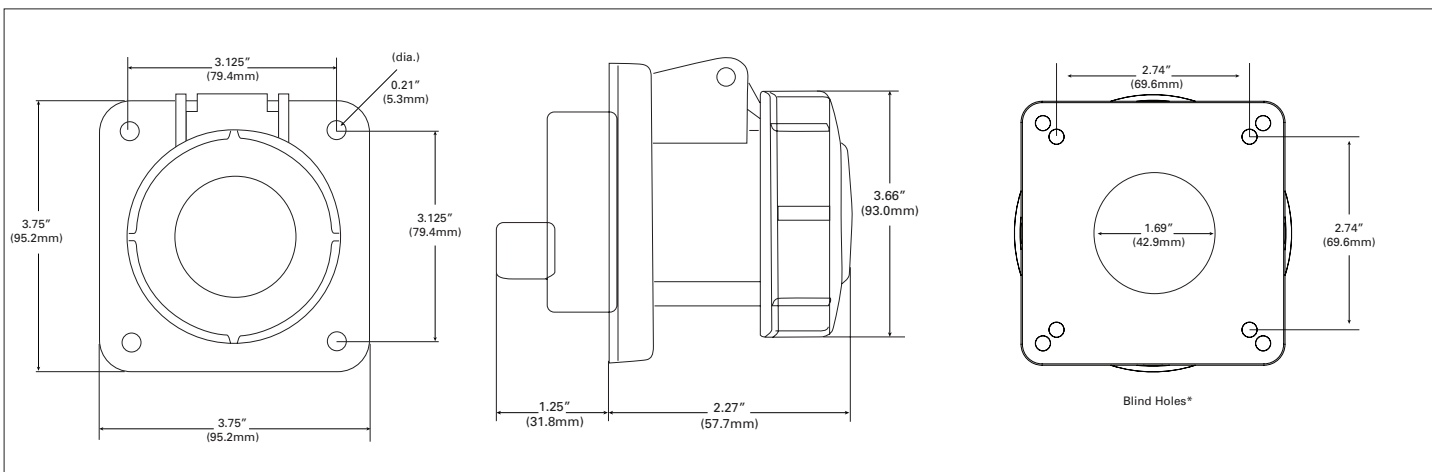


Figure 3. 16A 4-P, 5-W Receptacles, Front, Side & Back Views

Project Name:	Prepared By:
Project Number:	Date:
Catalog Number:	Type:

Product Dimensions

16A Plugs

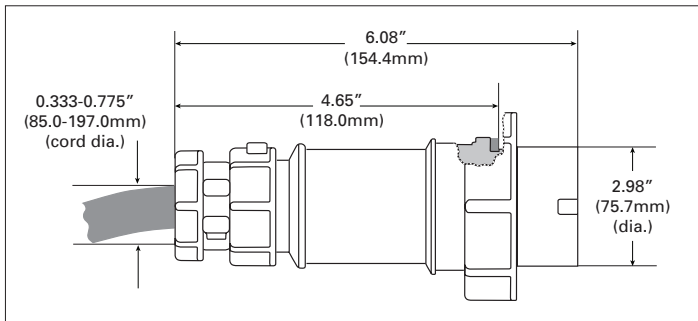


Figure 4. 16A 2-P, 3-W Plugs

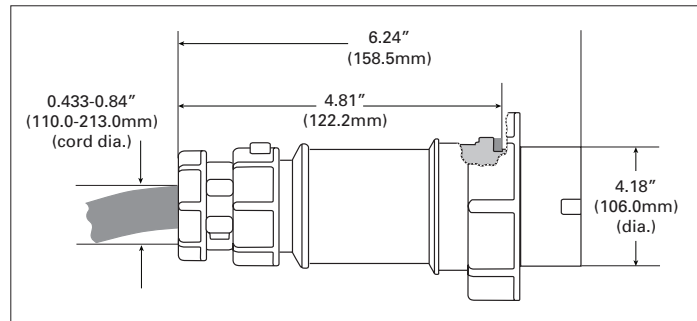


Figure 6. 16A 4-P, 5-W Plugs

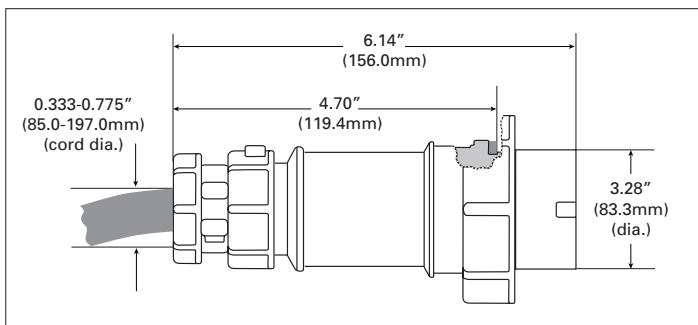


Figure 5. 16A 3-P, 4-W Plugs

16A Connectors

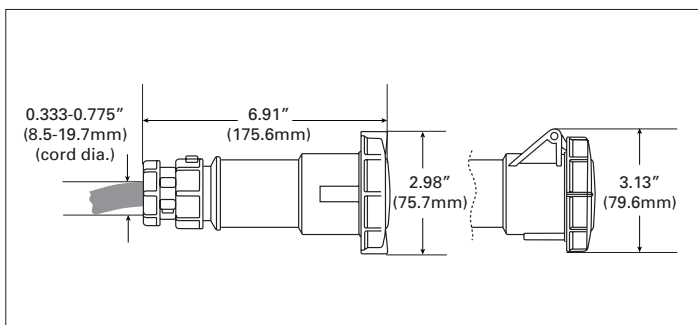


Figure 7. 16A 2-P, 3-W Underside & Side View Connectors

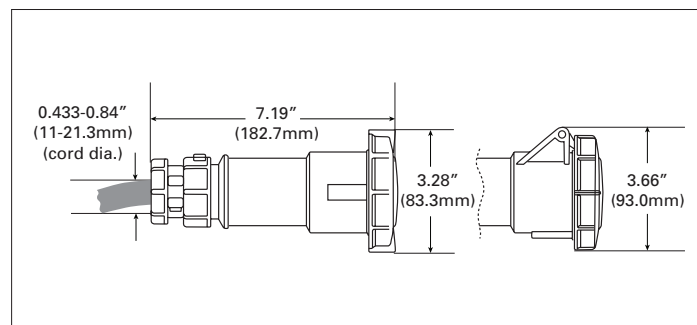


Figure 9. 16A 4-P, 5-W Underside & Side View Connectors

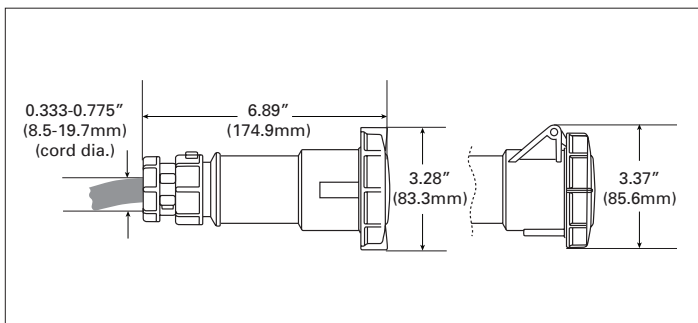


Figure 8. 16A 3-P, 4-W Underside & Side View Connectors

Project Name:	Prepared By:
Project Number:	Date:
Catalog Number:	Type:

Product Dimensions

16A Inlets

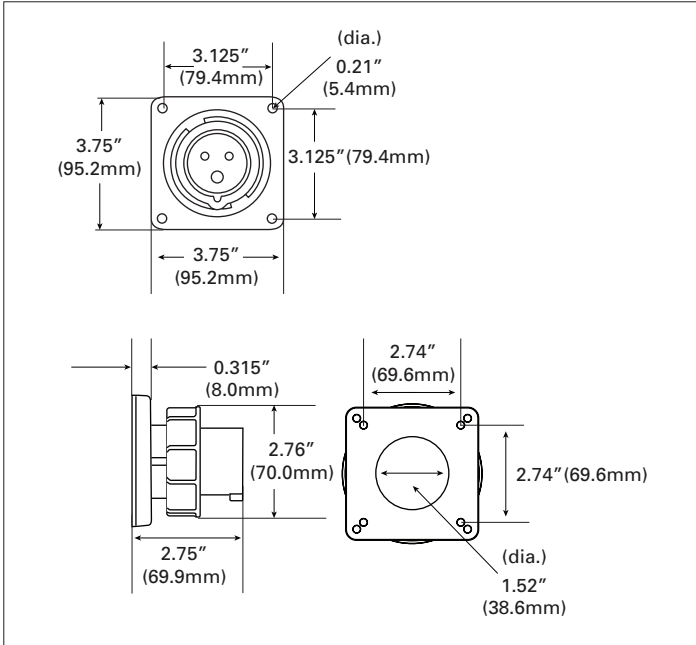


Figure 10. 16A 2-P, 3-W Front, Side & Back View Inlets

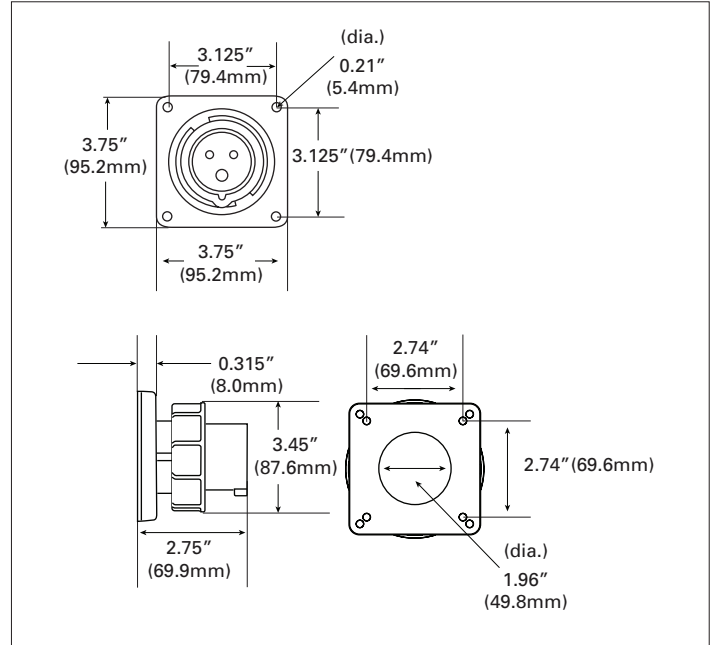


Figure 12. 16A 4-P, 5-W Front, Side & Back View Inlets

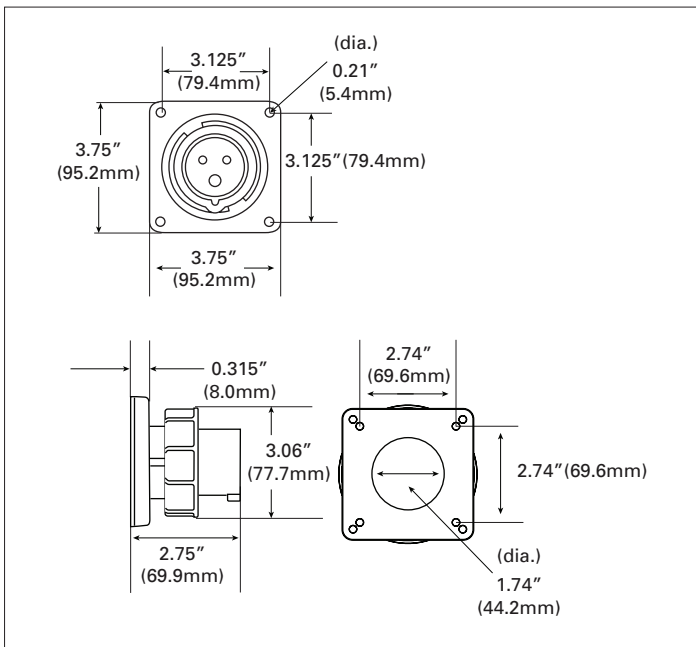


Figure 11. 16A 3-P, 4-W Front, Side & Back View Inlets

Project Name:	Prepared By:
Project Number:	Date:
Catalog Number:	Type:

Product Dimensions

32A Receptacles

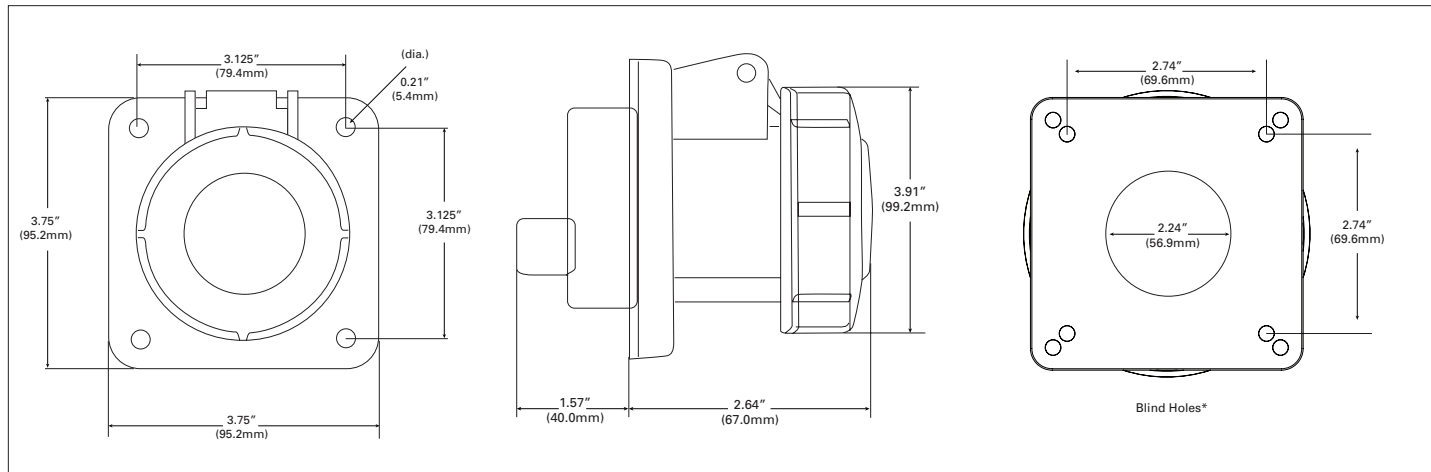


Figure 13. 32A 2-P, 3-W & 3-P, 4-W Receptacles, Front, Side & Back Views

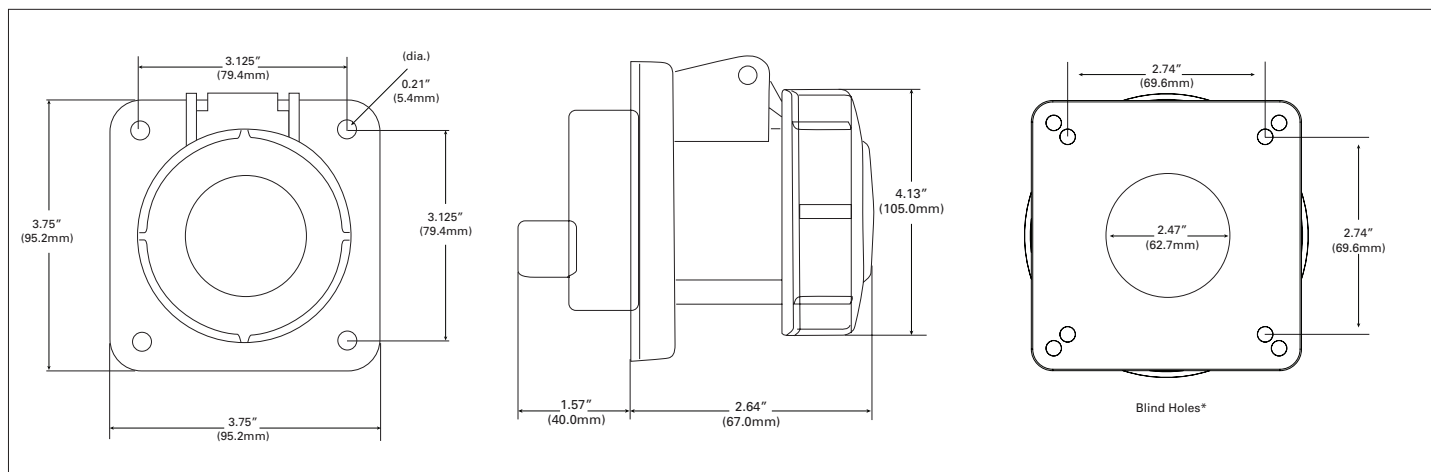


Figure 14. 32A 4-P, 5-W Receptacles, Front, Side & Back Views

Project Name:	Prepared By:
Project Number:	Date:
Catalog Number:	Type:

Product Dimensions

32A Plugs

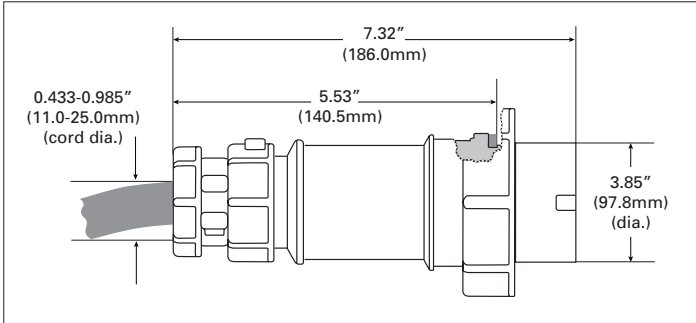


Figure 15. 32A 2-P, 3-W & 3-P, 4-W Plugs

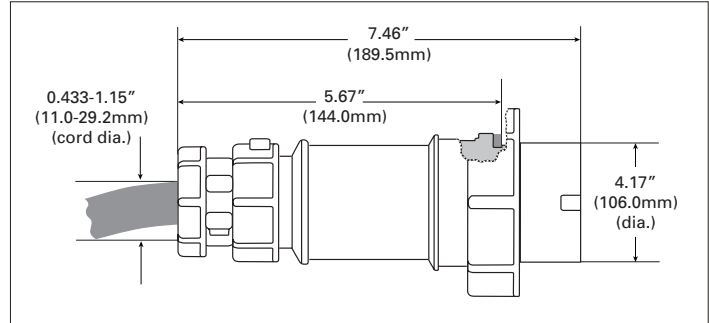


Figure 16. 32A 4-P, 5-W Plugs

32A Connectors

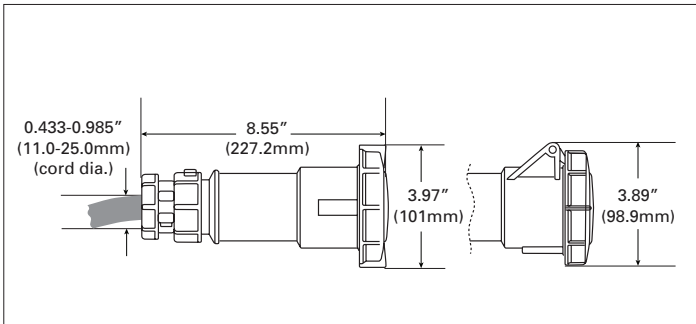


Figure 17. 32A 2-P, 3-W & 3-P, 4-W Underside & Side View Connectors

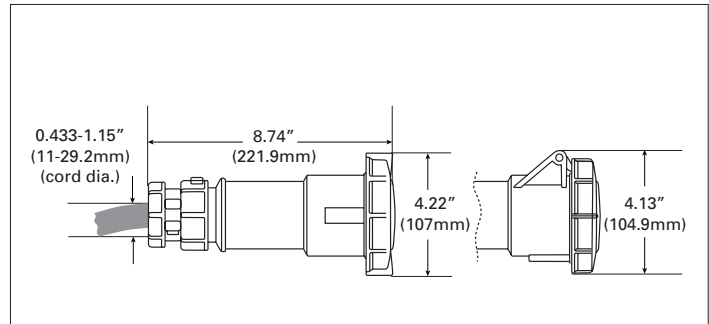


Figure 18. 32A 4-P, 5-W Underside & Side View Connectors

32A Inlets

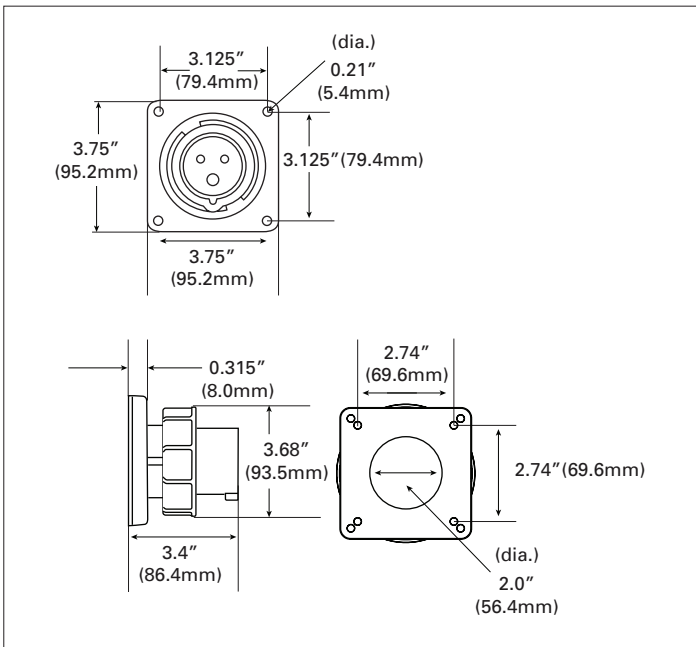


Figure 19. 32A 2-P, 3-W & 3-P, 4, Front, Side & Back View Inlets

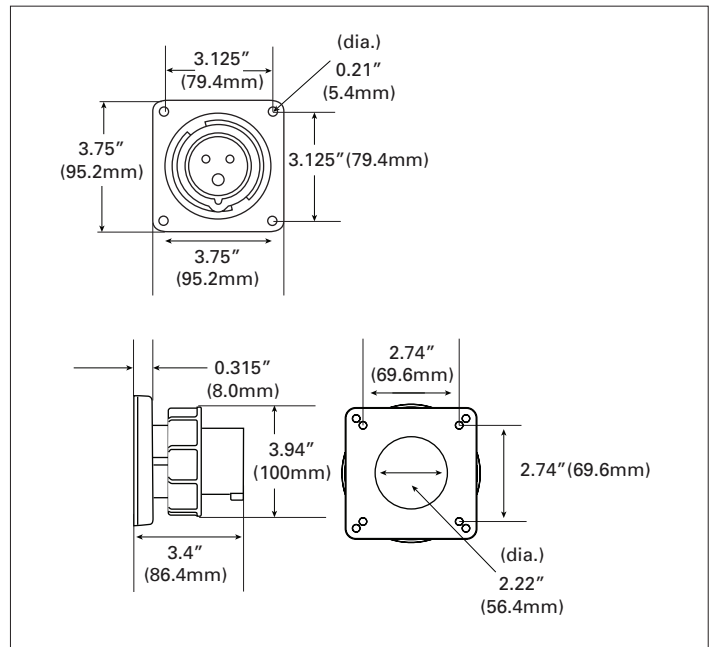


Figure 20. 32A 4-P, 5-W Front, Side & Back View Inlets

Project Name:	Prepared By:
Project Number:	Date:
Catalog Number:	Type:

Certifications & Compliances

Catalog No.				IEC
AH316R4W	AH316P4W	AH316C4W	AH316B4W	•
AH316R6W	AH316P6W	AH316C6W	AH316B6W	•
AH416R6W	AH416P6W	AH416C6W	AH416B6W	•
AH516R6W	AH516P6W	AH516C6W	AH516B6W	•
AH332R4W	AH332P4W	AH332C4W	AH332B4W	•
AH332R6W	AH332P6W	AH332C6W	AH332B6W	•
AH432R3W	AH432P3W	AH432C3W	AH432B3W	•
AH432R6W	AH432P6W	AH432C6W	AH432B6W	•
AH532R6W	AH532P6W	AH532C6W	AH532B6W	•

KEY:  IEC

Compliances, specifications and availability are subject to change without notice.

Electrical Sector
203 Cooper Circle
Peachtree City, GA 30269
United States
Eaton.com
Cooperwiringdevices.com

Electrical Sector
Canada Operations
5925 McLaughlin Road
Mississauga, Ontario, L5R 1B8
Canada
EatonCanada.ca
Cooperwiringdevices.com

Electrical Sector
Mexico Operations
Carr. Tlalnepantla -
Cuautitlan Km 178 s/n
Col. Villa Jardin esq.
Cerrada 8 de Mayo
Cuautitlan, Mexico CP 54800
Mexico
Eaton.mx
Cooperwiringdevices.com

Eaton
1000 Eaton Boulevard
Cleveland, OH 44122
United States
Eaton.com

© 2014 Eaton
All Rights Reserved
Printed in USA
Publication No. E125-0247-14
November 2014

Eaton is a registered trademark.

All other trademarks are property
of their respective owners.