

# 125A IEC 309 Watertight pin & sleeve devices

Project Name:	Prepared By:
Project Number:	Date:
Catalog Number:	Type:

## Product Description - International

125A;  
2-pole, 3-wire grounding;  
3-pole, 4-wire grounding;  
4-pole, 5-wire grounding



AH5125R6W



AH4125P6W



AH4125C6W



AH5125B6W

## Pin & sleeve plugs features & benefits

- Mechanical cord clamp with silicone rubber grommet seal and locking screw ensures a positive and watertight strain relief system
- Tri-combo cord grip screws for convenience
- Durable impact resistant thermoplastic body
- Color-coded front housing for easy and accurate identification of voltages
- Oversized grounding pin assures mating only with oversized female grounding sleeve; staggered contact to ensure ground makes first and breaks last
- Engineered thermoplastic material improves cold impact performance
- Spring-loaded self-closing cap with silicone rubber gasket protects contacts when not in use. Watertight cap meets IP67 and IP69K protection standards
- Rugged materials selected for use in wet locations; provides corrosion resistance
- Standard mounting footprints and blind holes provide interchangeability with major brands
- Nickel plated pins offer long life corrosion protection
- Pins fully shrouded for mechanical protection; lockout hole for plugs
- Threaded NPT cable entry provides efficient means of attaching flexible conduit or wire mesh grips
- Tapered wiring pockets to ease insertion of stranded wire; deep pockets with clear markings keep bare conductors isolated

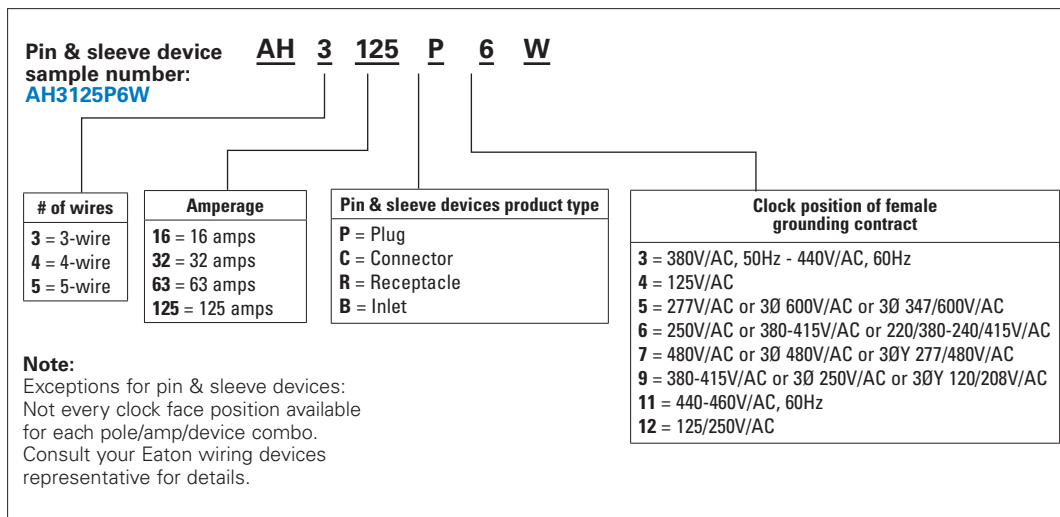
**Compliances, specifications and availability are subject to change without notice.**

Project Name:	Prepared By:
Project Number:	Date:
Catalog Number:	Type:

**Table 2. 125A Pin & sleeve devices for receptacles, plugs, connectors & inlets**

Rating A	Poles/wires	V/AC, color coding & configurations	Receptacle catalog no.	Plug catalog no.	Connector catalog no.	Inlet catalog no.
125	2-P, 3-W	220-240V	AH3125R6W	AH3125P6W	AH3125C6W	AH3125B6W
	3-P, 4-W	380-415V	AH4125R6W	AH4125P6W	AH4125C6W	AH4125B6W
	4-P, 5-W	220/380 240/415	AH5125R6W	AH5125P6W	AH5125C6W	AH5125B6W

**Table 3. Ordering matrix**



## Applications

The industry's first pin & sleeve devices that are designed to address high pressure, high temperature washdown applications. Arrow Hart's pin and sleeve devices are unlike other brands - our devices are the industry's first to offer IP69K rated protection. Each device has been carefully engineered to offer reliability, efficiency, and added safety protection in demanding wet locations, particularly where harsh washdowns are a must!

**Table 1. Specifications**

Device type	125A pin & sleeve receptacles	125A pin & sleeve plugs	125A pin & sleeve connectors	125A pin & sleeve inlets
<b>Testing &amp; code compliance</b>	<b>Base device:</b> • Classified to IEC standards 60309-1 and 60309-2	<b>Base device:</b> • Classified to IEC standards 60309-1 and 60309-2	<b>Base device:</b> • Classified to IEC standards 60309-1 and 60309-2	<b>Base device:</b> • Classified to IEC standards 60309-1 and 60309-2
<b>Environmental specifications</b>	<b>Flammability:</b> Meets UL94 requirements; HB rated (housing), V0 rated (contact carriers) <b>Protection:</b> Watertight to IP67 per IEC 60529 & IP69K to DIN 40050 Part 9	<b>Flammability:</b> Meets UL94 requirements; HB rated (housing), V0 rated (contact carriers) <b>Protection:</b> Watertight to IP67 per IEC 60529 & IP69K to DIN 40050 Part 9	<b>Flammability:</b> Meets UL94 requirements; HB rated (housing), V0 rated (contact carriers) <b>Protection:</b> Watertight to IP67 per IEC 60529 & IP69K to DIN 40050 Part 9	<b>Flammability:</b> Meets UL94 requirements; HB rated (housing), V0 rated (contact carriers) <b>Protection:</b> Watertight to IP67 per IEC 60529 & IP69K to DIN 40050 Part 9
<b>Electrical specifications</b>	<b>Dielectric voltage:</b> 50-415V: 2000V, 415-500V: 2500V <b>Maximum working voltage:</b> 480V <b>Breaking capacity:</b> Tested at 110% rated voltage & 125% rated current <b>Temperature rise:</b> 50°C Max. <b>Endurance:</b> 500 cycles	<b>Dielectric voltage:</b> 50-415V: 2000V, 415-500V: 2500V <b>Maximum working voltage:</b> 480V <b>Breaking capacity:</b> Tested at 110% rated voltage & 125% rated current <b>Temperature rise:</b> 50°C Max. <b>Endurance:</b> 500 cycles	<b>Dielectric voltage:</b> 50-415V: 2000V, 415-500V: 2500V <b>Maximum working voltage:</b> 480V <b>Breaking capacity:</b> Tested at 110% rated voltage & 125% rated current <b>Temperature rise:</b> 50°C Max. <b>Endurance:</b> 500 cycles	<b>Dielectric voltage:</b> 50-415V: 2000V, 415-500V: 2500V <b>Maximum working voltage:</b> 480V <b>Breaking capacity:</b> Tested at 110% rated voltage & 125% rated current <b>Temperature rise:</b> 50°C Max. <b>Endurance:</b> 500 cycles
<b>Mechanical Specifications</b>	<b>Voltage ratings:</b> Marked on device <b>Impact resistance:</b> IEC60309-1 <b>Cable grip retention:</b> IEC60309-1	<b>Voltage ratings:</b> Marked on device <b>Impact resistance:</b> IEC60309-1 <b>Cable grip retention:</b> IEC60309-1	<b>Voltage ratings:</b> Marked on device <b>Impact resistance:</b> IEC60309-1 <b>Cable grip retention:</b> IEC60309-1	<b>Voltage ratings:</b> Marked on device <b>Impact resistance:</b> IEC60309-1 <b>Cable grip retention:</b> IEC60309-1

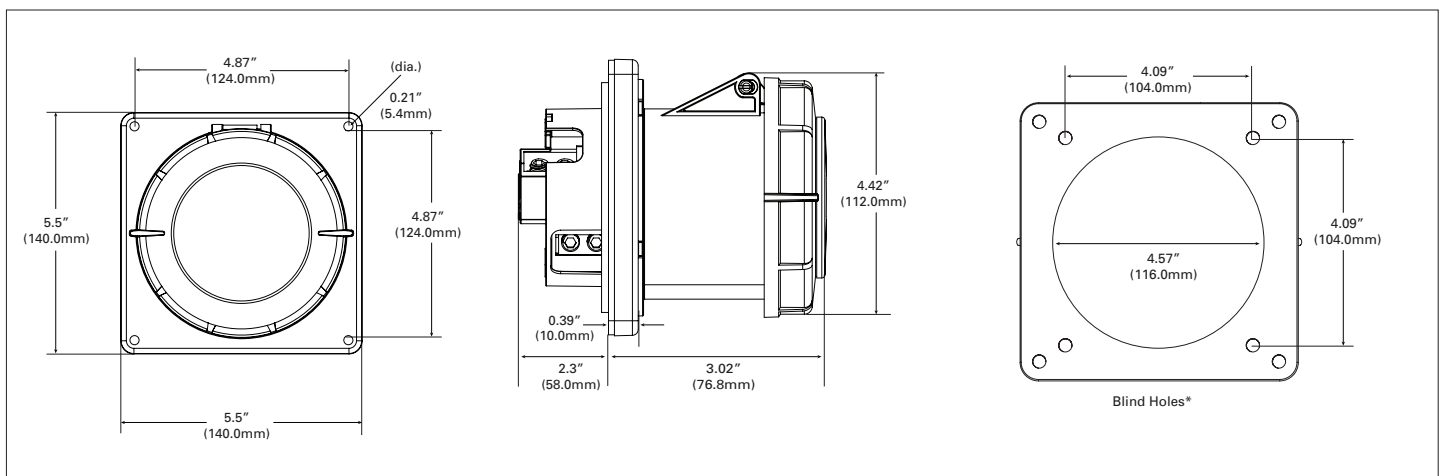
Project Name:	Prepared By:
Project Number:	Date:
Catalog Number:	Type:

**Table 4. Materials**

Device type	125A pin & sleeve receptacles	125A pin & sleeve plugs	125A pin & sleeve connectors	125A pin & sleeve inlets
<b>Housing &amp; flange</b>	Nylon PA66	Nylon PA66	Nylon PA66	Nylon PA66
<b>Back body</b>	N/A	Nylon PA6-GF30	Nylon PA6-GF30	N/A
<b>Contact carrier</b>	Nylon PA6	Nylon PA6	Nylon PA6	Nylon PA6
<b>Sleeves</b>	Nickel plated brass	N/A	Nickel plated brass	N/A
<b>Contact spring on sleeves</b>	Nickel plated spring steel	N/A	Nickel plated spring steel	N/A
<b>Pins</b>	N/A	Nickel plated brass	N/A	Nickel plated brass
<b>External strain relief clamp</b>	N/A	Nylon PA6-GF30	Nylon PA6-GF30	N/A
<b>Cable seal</b>	N/A	Silicon rubber	Silicon rubber	N/A
<b>Support washer for cord grip</b>	N/A	Plated steel	Plated steel	N/A
<b>Cover</b>	Nylon PA6-GF30	N/A	Nylon PA6-GF30	N/A
<b>Hinge pin</b>	Nylon PA6-GF30	N/A	Nylon PA6-GF30	N/A
<b>Cover spring</b>	Nickel plated spring steel	N/A	Nickel plated spring steel	N/A
<b>Cover gasket</b>	Silicon rubber	N/A	Silicon rubber	N/A
<b>Flange gasket</b>	Silicon rubber	N/A	N/A	Silicon rubber
<b>Terminal screws</b>	Nickel plated steel	Nickel plated steel	Nickel plated steel	Nickel plated steel
<b>Assembly screws</b>	Stainless steel	Stainless steel	Stainless steel	Stainless steel

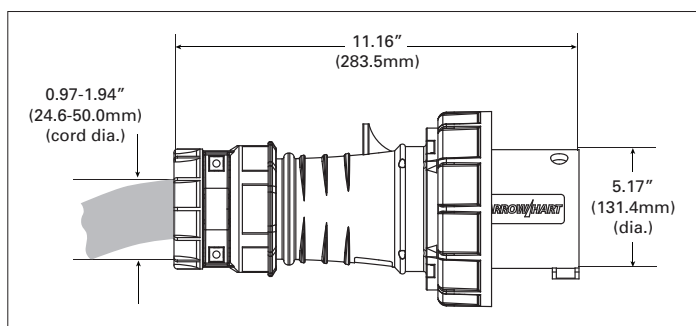
## Product Dimensions

### 125A Receptacles, Front, Side & Back Views



**Figure 1. 125A Receptacles, Front, Side & Back Views**

### 125A Plugs



**Figure 2. 125A Plugs, Side View**

Project Name:	Prepared By:
Project Number:	Date:
Catalog Number:	Type:

## Product Dimensions

### 125A Connectors

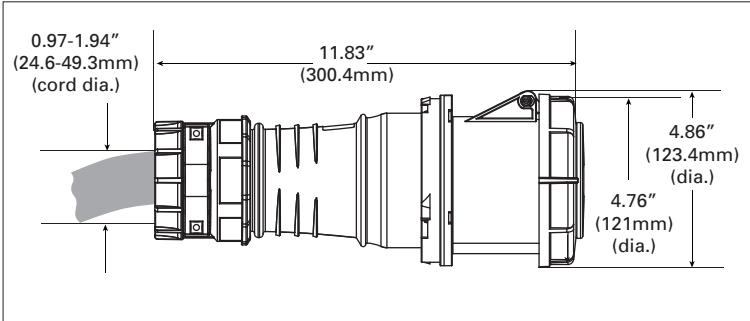


Figure 3. 125A Connectors, Side View

### 125A Inlets

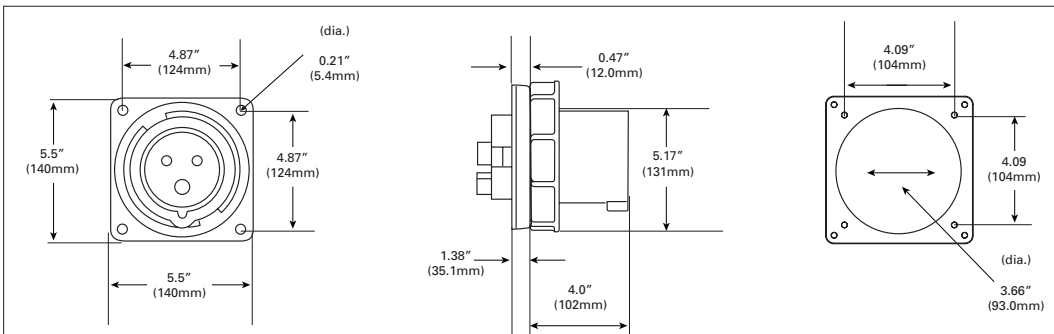


Figure 4. 125A Front, Side & Back View Inlets

## Certifications & Compliances

Catalog No.	IEC			
<input type="checkbox"/> AH3125R6W	<input type="checkbox"/> AH3125P6W	<input type="checkbox"/> AH3125C6W	<input type="checkbox"/> AH3125B6W	•
<input type="checkbox"/> AH4125R6W	<input type="checkbox"/> AH4125P6W	<input type="checkbox"/> AH4125C6W	<input type="checkbox"/> AH4125B6W	•
<input type="checkbox"/> AH5125R6W	<input type="checkbox"/> AH5125P6W	<input type="checkbox"/> AH5125C6W	<input type="checkbox"/> AH5125B6W	•

KEY: IEC

Compliances, specifications and availability are subject to change without notice.

Electrical Sector  
203 Cooper Circle  
Peachtree City, GA 30269  
United States  
Eaton.com  
Cooperwiringdevices.com

Electrical Sector  
Canada Operations  
5925 McLaughlin Road  
Mississauga, Ontario, L5R 1B8  
Canada  
EatonCanada.ca  
Cooperwiringdevices.com

Electrical Sector  
Mexico Operations  
Carr. Tlalnepantla -  
Cuautitlan Km 178 s/n  
Col. Villa Jardin esq.  
Cerrada 8 de Mayo  
Cuautitlan, Mexico CP 54800  
Mexico  
Eaton.mx  
Cooperwiringdevices.com