

Eaton Wiring Devices
Lighted plugs and connectors

Lighted plugs and connectors

The convenient solution for
seeing power flow while-in-use

EATON

Powering Business Worldwide

Eaton's lighted plugs and connectors offer added piece of mind by illuminating an LED when power is flowing through the device. Our plugs and connectors are compact yet rugged for virtually any replacement application or do-it-yourself extension cord creation.

Lighted plugs and connectors

Product description

2-pole, 3-wire grounding; 15A, 125V/AC



5-15P



5-15R

Design features

- LED turns ON when devices are wired properly and fully powered
- Solid brass plug blades are firmly embedded in body
- Cord grips are embedded into device body adding security for clamping force and cord retention
- Tri-combo terminal and mounting screws accept Slotted, Phillips, and Robertson-head tools for installation flexibility
- Part numbers and NEMA configurations are clearly visible on device face for easy identification



515PLTY



515CLTY



515PLTRN



515CLTRN

Lighted plugs and connectors

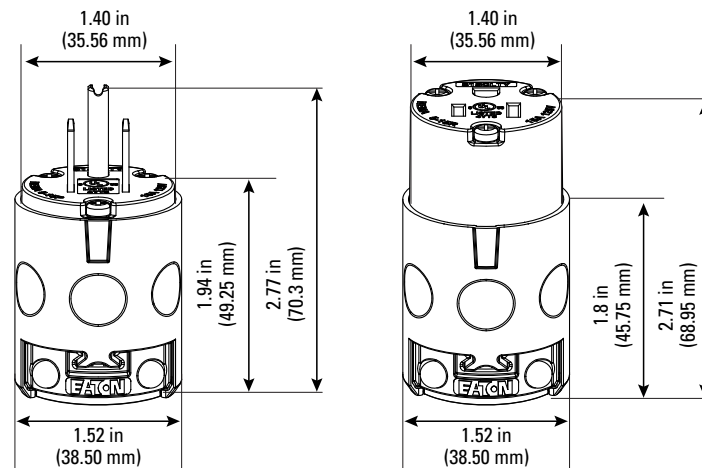
Catalog no.	Description	Amps	Volts	Color suffix
□ 515PLT__	Lighted plug, NEMA 5-15P, straight body	15	125	RN, Y
□ 515CLT__	Lighted connector, NEMA 5-15R, straight body	15	125	RN, Y

Color Ordering Information

For ordering devices, include Cat. no. followed by the color suffix: RN (Orange), Y (Yellow)



Product dimensions



Compliances, specifications and availability are subject to change without notice.

Electrical Sector
203 Cooper Circle
Peachtree City, GA 30269
United States
Eaton.com
Eaton.com/wiringdevices

Electrical Sector
Canada Operations
5925 McLaughlin Road
Mississauga, Ontario, L5R 1B8
Canada
EatonCanada.ca
Eaton.com/wiringdevices

Electrical Sector
Mexico Operations
Carr. Tlalnepantla -
Cuautitlán Km 178 s/n
Col. Villa Jardín esq.
Cerrada 8 de Mayo
Cuautitlán, Mexico CP 54800
México
Eaton.mx
Eaton.com/wiringdevices