

# Industrial grade 15/10A Non-NEMA locking devices

Project Name:	Prepared By:
Project Number:	Date:
Catalog Number:	Type:

## Description

Non-NEMA 15A, 125V/AC, 10A, 250V/AC, 3P-3W



Receptacle Plug



4767



4755



7582



7580

## Design features for plugs & connector

- Nylon construction
- EPDM gasket seals cord hole from dust and debris
- Dual range cord grip for solid cord clamping
- Back wire terminal clamps for easy secure wiring
- Individual wiring compartments with tapered channel for easy insertion of wires
- Clear cover over wiring compartments allows easy inspection of wiring terminations

## Design features for receptacles

- Glass reinforced nylon body and face
- One piece brass contacts offer superior performance and minimal heat rise
- Back and side wire terminal clamps for easy secure wiring
- Duplex receptacles feature a break off tab for split circuit wiring

**Table 1. Non-NEMA 15/10A Industrial Grade Locking Devices**

Catalog No.	Description	Amps	Volts	Color
□ 4767	Safety grip plug	15/10	125/250	Black & white
□ 4767AN	Safety grip angled body plug	15/10	125/250	Black & white
□ 4755	Safety grip connector	15/10	125/250	Black & white
□ 7580	Duplex receptacle	15/10	125/250	Black
□ 7582	Single receptacle	15/10	125/250	Black

Compliances, specifications and availability are subject to change without notice.



Powering Business Worldwide

Project Name:	Prepared By:
Project Number:	Date:
Catalog Number:	Type:

## Plugs & Connector

Non-NEMA 15A, 125V/AC, 10A, 250V/AC, 3P-3W

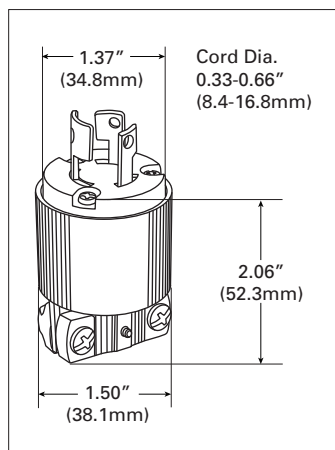
**Table 2. Specifications**

Catalog No.	Non-NEMA 15/10A Plugs & Connector
<b>NEMA Config</b>	Non-NEMA 15/10A
<b>Wiring Type</b>	Back wire
<b>Environmental Specifications</b>	<b>Flammability:</b> Meets UL94 requirements; V2 rated <b>Temperature Rating:</b> -40°C to 60°C (-40°F to 140°F)
<b>Electrical Specifications</b>	<b>Dielectric Voltage:</b> Twice the device rating + 1000V per UL498 <b>Current Interrupting:</b> Yes, at full-rated current <b>Temperature Rise:</b> Max. 30°C (86°F) after 50 cycles of overload at 150% of rated current (DC)
<b>Mechanical Specifications</b>	<b>Terminal Accommodation:</b> #16 - 12 AWG <b>Voltage Ratings:</b> Permanently marked on device

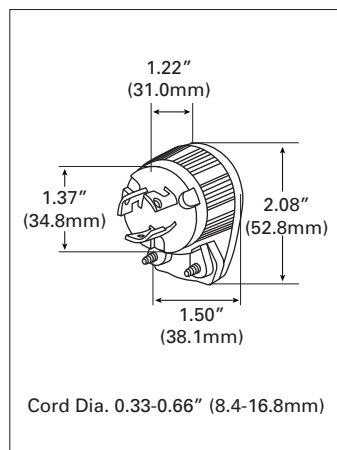
**Table 3. Materials**

Catalog No.	Non-NEMA 15/10A Plugs & Connector
<b>NEMA Config</b>	Non-NEMA 15/10A
<b>Outer Shell</b>	Nylon
<b>Interior Body</b>	Nylon
<b>Terminal Retainer</b>	Polycarbonate
<b>Blades</b>	Brass
<b>Line Contacts</b>	Brass, tin plated
<b>Terminal Clamps</b>	Steel, zinc plated
<b>Terminal Screws</b>	#8-32 steel, brass plated, nickel plated (neutral screw)
<b>Ground Screw</b>	#8-32 steel, brass plated (green)
<b>Assembly Screws</b>	Steel, nickel plated
<b>Gasket/Dust Shield</b>	EPDM
<b>Cord Clamp Screws</b>	Steel, nickel plated
<b>Cord Clamp</b>	Nylon

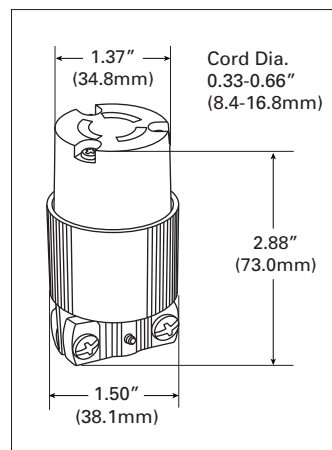
## Product Dimensions



**Figure 1. 4767**



**Figure 2. 4767AN**



**Figure 3. 4755**

Compliances, specifications and availability are subject to change without notice.

Project Name:	Prepared By:
Project Number:	Date:
Catalog Number:	Type:

## Single & Duplex Receptacles

Non-NEMA 15A, 125V/AC, 10A, 250V/AC, 3P-3W

Table 4. Specifications

Catalog No.	Non-NEMA 15/10A Single & Duplex Receptacles
<b>NEMA Config</b>	Non-NEMA 15/10A
<b>Wiring Type</b>	Back & side wire
<b>Environmental Specifications</b>	<b>Flammability:</b> Meets UL94 requirements; V0 rated <b>Temperature Rating:</b> -40°C to 115°C (-40°F to 239°F)
<b>Electrical Specifications</b>	<b>Dielectric Voltage:</b> ≤300V: 2000V, 301-600V: 3000V per UL498 <b>Current Interrupting:</b> Yes, at full-rated current <b>Temperature Rise:</b> Max. 30°C (86°F) after 50 cycles of overload @ 150% of rated current (DC)
<b>Mechanical Specifications</b>	<b>Terminal Accommodation:</b> #14 - 10 AWG <b>Voltage Ratings:</b> Permanently marked on device

Table 5. Materials

Catalog No.	Non-NEMA 15/10A Single & Duplex Receptacles
<b>NEMA Config</b>	Non-NEMA 15/10A
<b>Face</b>	Glass-filled nylon
<b>Base</b>	Glass-filled nylon
<b>Mounting Strap</b>	0.050" thick pre-plated steel
<b>Auto Ground Clip</b>	Yes
<b>Line Contacts</b>	0.036" thick brass
<b>Terminal Screws</b>	#8-32 brass screws, nickel plated
<b>Ground Screw</b>	#8-32 brass screw (green)
<b>Mounting Screws</b>	Steel, zinc plated

## Product Dimensions

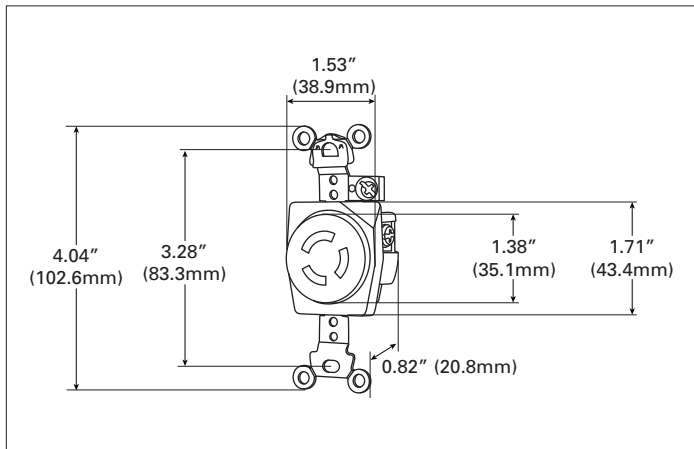


Figure 4. 7582

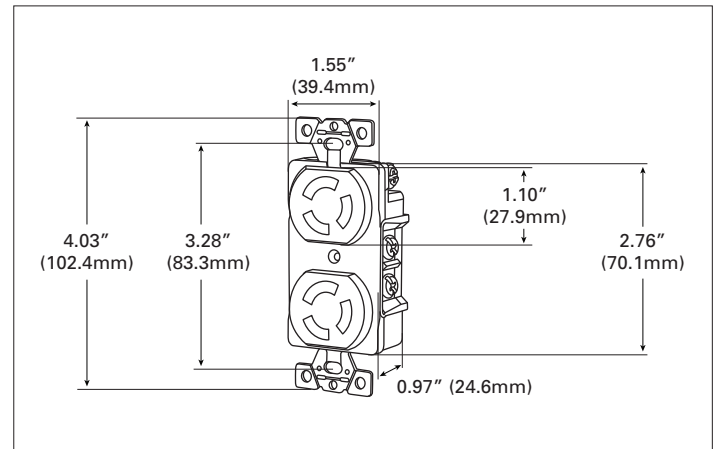






Figure 5. 7580


Compliances, specifications and availability are subject to change without notice.

Project Name:	Prepared By:
Project Number:	Date:
Catalog Number:	Type:

## Certifications & Compliances

Catalog No.				
4767	•	•	•	•
4767AN	•	•	•	•
4755	•	•	•	•
7580	•			•
7582	•			•

**KEY:**  RU  cRUus  NAFTA  ROHS

 Parts are manufactured and designed in accordance with article 4 of the European Union's RoHS2 directive 2011/65/EU

**Compliances, specifications and availability are subject to change without notice.**

Electrical Sector  
203 Cooper Circle  
Peachtree City, GA 30269  
United States  
Eaton.com  
Arrowhart.com

Electrical Sector  
Canada Operations  
5925 McLaughlin Road  
Mississauga, Ontario, L5R 1B8  
Canada  
EatonCanada.ca  
Arrowhart.com

Electrical Sector  
Mexico Operations  
Carr. Tlalnepantla -  
Cuautitlan Km 17.8 s/n  
Col. Villa Jardin esq.  
Cerrada 8 de Mayo  
Cuautitlan, Mexico CP 54800  
Mexico  
Eaton.mx  
Arrowhart.com

**Eaton**  
1000 Eaton Boulevard  
Cleveland, OH 44122  
United States  
Eaton.com

© 2014 Eaton  
All Rights Reserved  
Printed in USA  
Publication No. 125-0068-13  
January 2014

Eaton is a registered trademark.  
All other trademarks are property  
of their respective owners.