

Industrial grade L24-20 locking devices

Project Name:	Prepared By:
Project Number:	Date:
Catalog Number:	Type:

Description

NEMA L24-20 20A, 347V/AC, 2P-3W



L24-20R L24-20P

Design features for plug

- Nylon construction
- Neoprene gasket seals cord hole from dust and debris
- Back wire terminal clamps for easy secure wiring
- Individual wiring compartments with tapered channel for easy insertion of wires
- Clear cover over wiring compartments allows easy inspection of wiring terminations

Design features for receptacle

- Clearly marked rating, NEMA configuration and approval listings on receptacle face
- One piece brass contacts offer superior performance and minimum heat rise
- Back and side wiring terminal clamps for easy, secure wiring

Table 1. NEMA L24-20 Industrial Grade Locking Devices

Catalog No.	Description	Amps	Volts	Color
□ L2420P	Safety grip plug	20	347	Black & white
□ L2420R	Single receptacle	20	347	Black

Compliances, specifications and availability are subject to change without notice.



Powering Business Worldwide

Project Name:	Prepared By:
Project Number:	Date:
Catalog Number:	Type:

Plug

NEMA L24-20 20A, 347V/AC, 2P-3W

Table 2. Specifications

Catalog No.	NEMA L24-20 Plug
NEMA Config	NEMA L24-20
Wiring Type	Back wire
Environmental Specifications	Flammability: Meets UL94 requirements; V2 rated Temperature Rating: -40°C to 75°C (-40°F to 167°F)
Electrical Specifications	Dielectric Voltage: Twice the device rating + 1000V per UL498 Current Interrupting: Yes, at full-rated current Temperature Rise: Max. 30°C (86°F) after 50 cycles of overload at 150% of rated current (DC)
Mechanical Specifications	Terminal Accommodation: #18 - 8 AWG Voltage Ratings: Permanently marked on device

Table 3. Materials

Catalog No.	NEMA L24-20 Plug
NEMA Config	NEMA L24-20
Outer Shell	Nylon
Interior Body	Nylon
Terminal Retainer	Polycarbonate
Blades	Brass
Line Contacts	Brass
Terminal Clamps	Steel, nickel plated
Terminal Screws	Brass
Ground Screw	Brass
Assembly Screws	Steel, nickel plated
Gasket/Dust Shield	Neoprene
Cord Clamp Screws	Steel, nickel plated
Cord Clamp	Nylon

Product Dimensions

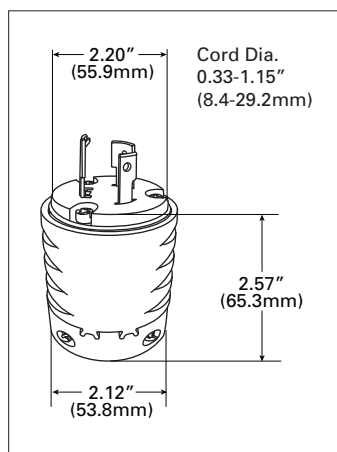


Figure 1. L2420P

Compliances, specifications and availability are subject to change without notice.

Project Name:	Prepared By:
Project Number:	Date:
Catalog Number:	Type:

Single Receptacle

NEMA L24-20 20A, 347V/AC, 2P-3W

Table 4. Specifications

Catalog No.	NEMA L24-20 Single Receptacle
NEMA Config	NEMA L24-20
Wiring Type	Back & side wire
Environmental Specifications	Flammability: Meets UL94 requirements; V2 rated Temperature Rating: -40°C to 115°C (-40°F to 239°F)
Electrical Specifications	Dielectric Voltage: ≤300V: 2000V, 301-600V: 3000V per UL498 Current Interrupting: Yes, at full-rated current Temperature Rise: Max. 30°C (86°F) after 50 cycles of overload @ 150% of rated current (DC)
Mechanical Specifications	Terminal Accommodation: #14 - 10 AWG Voltage Ratings: Permanently marked on device

Table 5. Materials

Catalog No.	NEMA L24-20 Single Receptacle
NEMA Config	NEMA L24-20
Face	Glass-filled nylon
Base	Glass-filled nylon
Mounting Strap	Brass
Auto Ground Clip	N/A
Line Contacts	Brass
Terminal Screws	Brass
Ground Screw	Brass
Mounting Screws	Steel, zinc plated

Product Dimensions

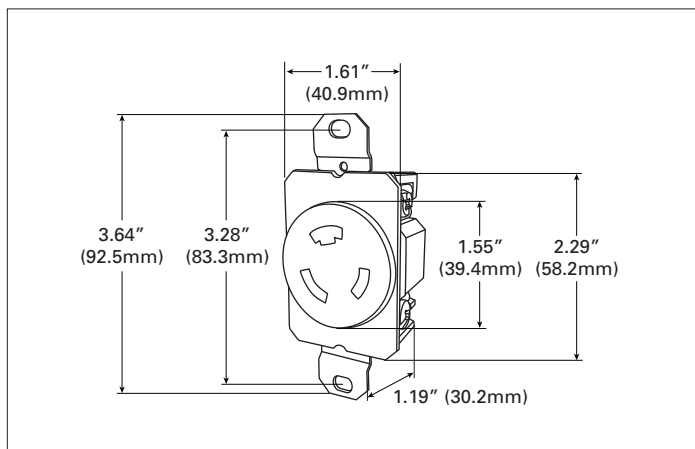






Figure 2. L2420R


Compliances, specifications and availability are subject to change without notice.

Project Name:	Prepared By:
Project Number:	Date:
Catalog Number:	Type:

Certifications & Compliances

Catalog No.				
L2420P	•	•	•	•
L2420R	•	•	•	•

KEY:  cULus  CSA  NAFTA  ROHS

 Parts are manufactured and designed in accordance with article 4 of the European Union's RoHS2 directive 2011/65/EU

Compliances, specifications and availability are subject to change without notice.

Electrical Sector
203 Cooper Circle
Peachtree City, GA 30269
United States
Eaton.com
Arrowhart.com

Electrical Sector
Canada Operations
5925 McLaughlin Road
Mississauga, Ontario, L5R 1B8
Canada
EatonCanada.ca
Arrowhart.com

Electrical Sector
Mexico Operations
Carr. Tlalnepantla -
Cuautitlan Km 17.8 s/n
Col. Villa Jardin esq.
Cerrada 8 de Mayo
Cuautitlan, Mexico CP 54800
Mexico
Eaton.mx
Arrowhart.com

Eaton
1000 Eaton Boulevard
Cleveland, OH 44122
United States
Eaton.com

© 2014 Eaton
All Rights Reserved
Printed in USA
Publication No. 125-0080-13
January 2014

Eaton is a registered trademark.

All other trademarks are property
of their respective owners.