

Industrial grade L1-15 locking devices

Project Name:	Prepared By:
Project Number:	Date:
Catalog Number:	Type:

Description

NEMA L1-15 15A, 125V/AC, 2P-2W



L1-15R L1-15P



7546



7506



CWL115R



CWL115FO

Design features for plugs & connector

- Chemically resistant rubber housing
- External cable clamp provides firm strain relief
- Back wire terminal clamps for easy secure wiring

Design features for receptacles

- Rugged glass filled nylon construction
- Side and back wire terminations

Design features for flanged inlet & outlet

- Nickel-plated brass flange
- Exposed Terminal for easy wiring

Table 1. NEMA L1-15 Industrial Grade Locking Devices

Catalog No.	Description	Amps	Volts	Color
<input type="checkbox"/> 7546	Safety grip plug	15	125	Black
<input type="checkbox"/> 7548	Safety grip plug	15	125	Black
<input type="checkbox"/> 7506	Safety grip connector	15	125	Black
<input type="checkbox"/> 7540	Duplex receptacle	15	125	Black
<input type="checkbox"/> CWL115R	Single receptacle	15	125	Black
<input type="checkbox"/> CWL115FO	Flanged outlet	15	125	Black
<input type="checkbox"/> CWL115FI	Flanged inlet	15	125	Black

Compliances, specifications and availability are subject to change without notice.



Powering Business Worldwide

Project Name:	Prepared By:
Project Number:	Date:
Catalog Number:	Type:

Plugs & Connector

NEMA L1-15 15A, 125V/AC, 2P-2W

Table 2. Specifications

Catalog No.	NEMA L1-15 Plugs & Connector
NEMA Config	NEMA L1-15
Wiring Type	Back wire
Environmental Specifications	Flammability: Meets UL94 requirements; V2 rated Temperature Rating: -40°C to 60°C (-40°F to 140°F)
Electrical Specifications	Dielectric Voltage: Twice the device rating + 1000V per UL498 Current Interrupting: Yes, at full-rated current Temperature Rise: Max. 30°C (86°F) after 50 cycles of overload at 150% of rated current (DC)
Mechanical Specifications	Terminal Accommodation: #16 - #12 AWG Voltage Ratings: Permanently marked on device

Table 3. Materials

Catalog No.	NEMA L1-15 Plugs & Connector
NEMA Config	NEMA L1-15
Outer Shell	Nylon
Interior Body	Nylon
Terminal Retainer	Nylon
Blades	Brass
Line Contacts	Brass
Terminal Clamps	Steel, zinc plated
Terminal Screws	Brass
Ground Screw	Brass
Assembly Screws	Steel
Gasket/Dust Shield	Neoprene
Cord Clamp Screws	Steel
Cord Clamp	Nylon

Product Dimensions

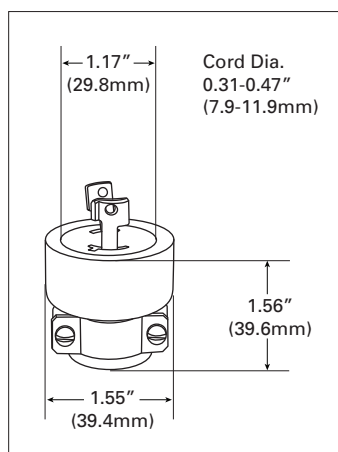


Figure 1. 7548

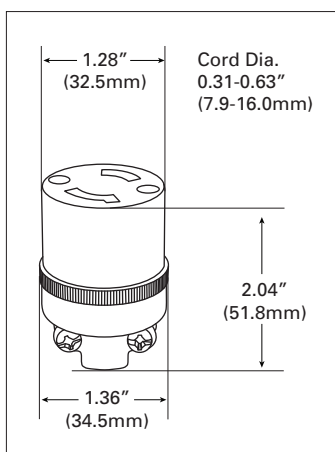


Figure 2. 7506

Compliances, specifications and availability are subject to change without notice.

Project Name:	Prepared By:
Project Number:	Date:
Catalog Number:	Type:

Single & Duplex Receptacles

NEMA L1-15 15A, 125V/AC, 2P-2W

Table 4. Specifications

Catalog No.	NEMA L1-15 Single & Duplex Receptacles
NEMA Config	NEMA L1-15
Wiring Type	Back & side wire
Environmental Specifications	Flammability: Meets UL94 requirements; V0 rated Temperature Rating: -40°C to 105°C (-40°F to 221°F)
Electrical Specifications	Dielectric Voltage: ≤300V: 2000V, 301-600V: 3000V per UL498 Current Interrupting: Yes, at full-rated current Temperature Rise: Max. 30°C (86°F) after 50 cycles of overload @ 150% of rated current (DC)
Mechanical Specifications	Terminal Accommodation: #14 - #10 AWG Voltage Ratings: Permanently marked on device

Table 5. Materials

Catalog No.	NEMA L1-15 Single & Duplex Receptacles
NEMA Config	NEMA L1-15
Face	Glass-filled nylon
Base	Glass-filled nylon
Mounting Strap	0.050" thick steel, zinc plated
Line Contacts	0.032" thick bronze
Terminal Screws	#8-32 brass
Ground Screw	N/A
Terminal Clamps/Plates	0.070" thick steel, zinc plated
Ground Contacts	N/A
Back Plate	N/A
Mounting Screws	Steel, zinc-plated

Product Dimensions

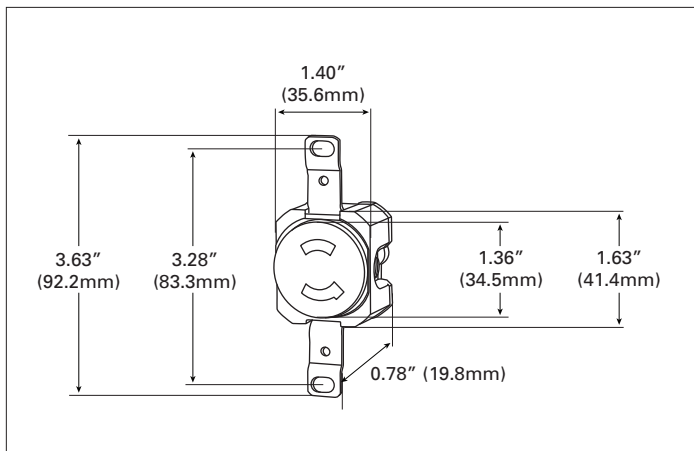


Figure 3. CWL115R

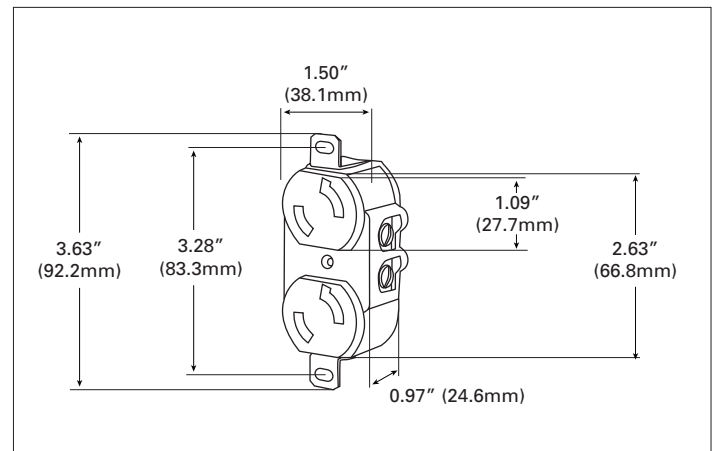


Figure 4. 7540

Compliances, specifications and availability are subject to change without notice.

Project Name:	Prepared By:
Project Number:	Date:
Catalog Number:	Type:

Flanged Inlet & Outlet

NEMA L1-15 15A, 125V/AC, 2P-2W

Table 6. Specifications

Catalog No.	NEMA L1-15 Flanged Inlet & Outlet
NEMA Config	NEMA L1-15
Wiring Type	Side wire
Environmental Specifications	Flammability: Meets UL94 requirements; V0 rated Temperature Rating: -40°C to 105°C (-40°F to 221°F)
Electrical Specifications	Dielectric Voltage: ≤300V: 2000V, 301-600V: 3000V per UL498 Current Interrupting: Yes, at full-rated current Temperature Rise: Flanged outlets: max. 30°C (86°F) after 50 cycles of overload @ 150% of rated current (DC); flanged inlets; max. 30°C (86°F) @ maximum rated current (DC)
Mechanical Specifications	Terminal Accommodation: #14 - #8 AWG Voltage Ratings: Permanently marked on device

Table 7. Materials

Catalog No.	NEMA L1-15 Flanged Inlet & Outlet
NEMA Config	NEMA L1-15
Outer Shell	Plated brass
Interior Body	L1-15FI Phenolic, L1-15FO GF Nylon
Terminal Retainer	N/A
Blades	0.062" thick brass
Line Contacts	0.032" thick bronze
Terminal Clamps	N/A
Terminal Screws	#6-32 brass
Ground Screw	#6-32 brass (green)
Assembly Screws	Steel, zinc-plated
Mounting Screws	Steel, zinc-plated

Product Dimensions

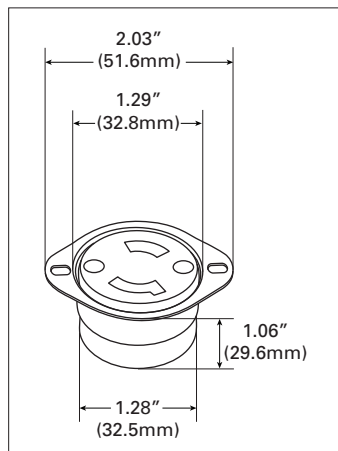


Figure 5. CWL115FO

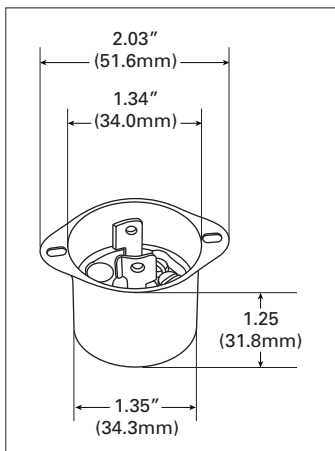


Figure 6. CWL115FI

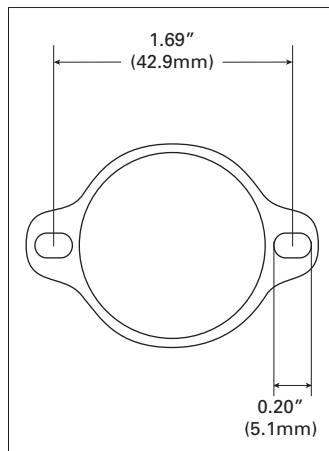






Figure 7. Top View


Compliances, specifications and availability are subject to change without notice.

Project Name:	Prepared By:
Project Number:	Date:
Catalog Number:	Type:

Certifications & Compliances

Catalog No.				
7546	•			•
7548	•			•
7506	•			•
7540		•		•
CWL115R		•	•	•
CWL115FO		•	•	•
CWL115FI	•		•	•

KEY:  cULus  UL  NAFTA  ROHS

 Parts are manufactured and designed in accordance with article 4 of the European Union's RoHS2 directive 2011/65/EU

Compliances, specifications and availability are subject to change without notice.

Electrical Sector
203 Cooper Circle
Peachtree City, GA 30269
United States
Eaton.com
Arrowhart.com

Electrical Sector
Canada Operations
5925 McLaughlin Road
Mississauga, Ontario, L5R 1B8
Canada
EatonCanada.ca
Arrowhart.com

Electrical Sector
Mexico Operations
Carr. Tlalnepantla -
Cautitlan Km 178 s/n
Col. Villa Jardin esq.
Cerrada 8 de Mayo
Cautitlan, Mexico CP 54800
Mexico
Eaton.mx
Arrowhart.com

Eaton
1000 Eaton Boulevard
Cleveland, OH 44122
United States
Eaton.com

© 2014 Eaton
All Rights Reserved
Printed in USA
Publication No. 125-0069-13
January 2014

Eaton is a registered trademark.

All other trademarks are property
of their respective owners.