

# Arrow Hart color coded industrial grade L10-20 locking devices

Project Name:	Prepared By:
Project Number:	Date:
Catalog Number:	Type:

## Description

20A, 125/250V/AC, 3-Pole, 3-Wire  
NEMA L10-20

● = Orange indicates 125/250 V/AC



Photography is for reference only.

## Design features for plug & connector

- All nylon construction
- EPDM gasket seals cord hole from dust and debris
- Back wire terminal clamps for easy secure wiring
- Individual wiring compartments with tapered channel for easy insertion of wires
- Clear cover over wiring compartments allows easy inspection of wiring terminations
- Rating printed on side of device
- Largest-in-class grommet size allows for entire cord size range

## Design features for receptacle

- Rugged glass filled nylon body
- Clearly marked rating, NEMA configuration and approval listings on receptacle face
- One piece brass contacts offer superior performance and minimum heat rise
- Back and side wiring terminal clamps for easy, secure wiring

## Design features for flanged inlet & outlet

- All nylon construction
- Mounting holes interchangeable with competitive units
- Back wire terminal clamps for easy, secure wiring
- Individual wiring compartments with tapered channel for easy insertion of wires

**Table 1. NEMA L10-20 Color Coded Industrial Grade Locking Devices**

Catalog No.	Description	Amps	Volts	Color
□ AHCL1020P	Color Coded ultra grip plug	20	125/250	Orange & Black
□ AHCL1020C	Color Coded ultra grip connector	20	125/250	Orange & Black
□ AHCL1020R	Color Coded single receptacle	20	125/250	Orange & Black
□ AHCL1020FO	Color Coded flanged outlet	20	125/250	Orange & Black
□ AHCL1020FI	Color Coded flanged inlet	20	125/250	Orange & Black

Compliances, specifications and availability are subject to change without notice.



Powering Business Worldwide

Project Name:	Prepared By:
Project Number:	Date:
Catalog Number:	Type:

## Applications

The new Eaton Arrow Hart color coded locking devices are designed specifically to improve safety and increase labor savings on the job site. Eaton's color coded locking devices are an industry-first solution that uses the six voltage rating color codes consistent with IEC 60309 standards for plugs, connectors, inlets/outlets and receptacles. Color coded locking devices are available in standard NEMA configurations for 20A and 30A applications. Plugs and connectors are built with a durable nylon shell and body to provide long lasting, dependable service in commercial and industrial environments—their ergonomic design has a comfortable feel, and the double dovetail cord clamps with reversible inserts provide secure cord retention over a full range of cord diameters.

**Table 2. Specifications**

Catalog No.	AHCL1020 Series		
Device Type	Plugs & Connectors	Single Receptacles	Flanged Inlet & Outlet
<b>NEMA Config</b>	NEMA L10-20	NEMA L10-20	NEMA L10-20
<b>Wiring Type</b>	Back wire	Back & side wire	Back wire
<b>Environmental Specifications</b>	<b>Flammability:</b> Meets UL94 requirements; V2 rated <b>Temperature Rating:</b> -40°C (w/o impact) to 60°C (-40°F to 140°F) -25°C (w/impact) to 60°C (-13°F to 140°F)	<b>Flammability:</b> Meets UL94 requirements; V0 rated <b>Temperature Rating:</b> -40°C to 70°C (-40°F to 158°F)	<b>Flammability:</b> Meets UL94 requirements; V2 rated <b>Temperature Rating:</b> -40°C (w/o impact) to 60°C (-40°F to 140°F) -25°C (w/impact) to 60°C (-13°F to 140°F)
<b>Electrical Specifications</b>	<b>Dielectric Voltage:</b> Twice the device rating + 1000V per UL498 <b>Current Interrupting:</b> Yes, at full-rated current <b>Temperature Rise:</b> Max. 30°C (86°F) after 50 cycles of overload at 150% of rated current (DC)	<b>Dielectric Voltage:</b> ≤300V: 2000V, 301-600V: 3000V per UL498 <b>Current Interrupting:</b> Yes, at full-rated current <b>Temperature Rise:</b> Max. 30°C (86°F) after 250 cycles of overload @ 200% of rated current (DC)	<b>Dielectric Voltage:</b> ≤300V: 2000V, 301-600V: 3000V per UL498 <b>Current Interrupting:</b> Yes, at full-rated current <b>Temperature Rise:</b> Max. 30°C (86°F) after 50 cycles of overload @ 150% of rated current (DC) (w/o impact)
<b>Mechanical Specifications</b>	<b>Terminal Accommodation:</b> #14 - #8 AWG <b>Voltage Ratings:</b> Permanently marked on device	<b>Terminal Accommodation:</b> #14 - #8 AWG <b>Voltage Ratings:</b> Permanently marked on device	<b>Terminal Accommodation:</b> #14 - #8 AWG <b>Voltage Ratings:</b> Permanently marked on device

**Table 3. Materials**

Catalog No.	AHCL1020 Series		
Device Type	Plugs & Connectors	Single Receptacles	Flanged Inlet & Outlet
<b>NEMA Config</b>	NEMA L10-20	NEMA L10-20	NEMA L10-20
<b>Outer Shell</b>	Nylon	N/A	Nylon
<b>Face</b>	N/A	Glass-filled nylon	N/A
<b>Base</b>	N/A	Glass-filled nylon	N/A
<b>Mounting Strap</b>	N/A	0.050" thick steel, zinc plated	N/A
<b>Interior Body</b>	Nylon	N/A	Nylon
<b>Terminal Retainer</b>	Polycarbonate	N/A	Polycarbonate
<b>Blades</b>	Brass	N/A	0.062" thick brass (inlet only)
<b>Line Contacts</b>	Bronze, tin plated	0.041" thick brass	0.031" thick brass (outlet only)
<b>Terminal Clamps/Plates</b>	Steel, tin plated	0.041" thick brass	Steel
<b>Ground Contact</b>	N/A	0.041" thick brass	N/A
<b>Back Plate</b>	N/A	0.041" thick brass, nickel plated	N/A
<b>Mounting Screws</b>	N/A	Steel, zinc plated	Steel, zinc plated
<b>Terminal Screws</b>	#10-32 brass, zinc plated (neutral screw)	#10-32 brass, nickel plated (neutral screw)	#10-32 brass, nickel plated (neutral screw)
<b>Ground Screw</b>	#10-32 brass (green)	#10-32 brass (green)	#10-32 brass (green)
<b>Assembly Screws</b>	Steel, nickel plated	N/A	Steel, nickel plated
<b>Gasket/Dust Shield</b>	EPDM	N/A	N/A
<b>Cord Clamp Screws</b>	Steel, nickel plated	N/A	N/A
<b>Cord Clamp</b>	Nylon	N/A	N/A

Project Name:	Prepared By:
Project Number:	Date:
Catalog Number:	Type:

### Product Dimensions

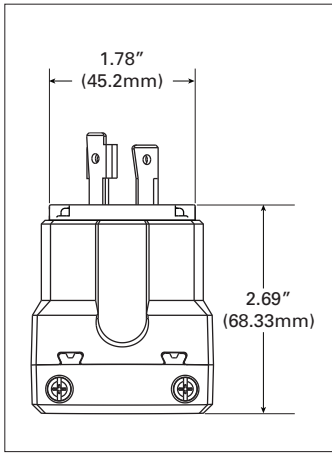


Figure 1. AHCL1020P

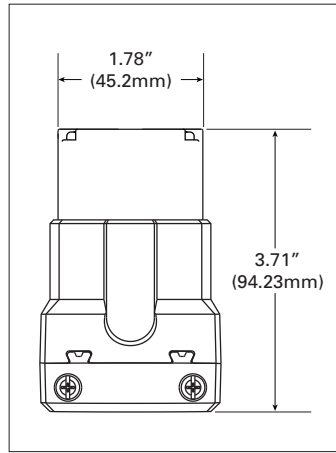


Figure 2. AHCL1020C

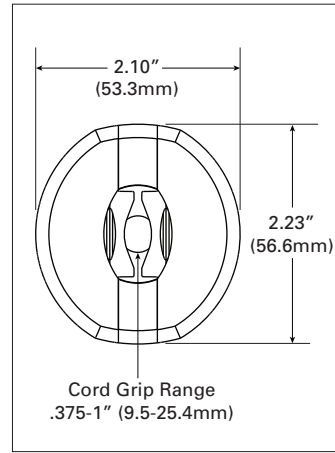


Figure 3. Base Angle

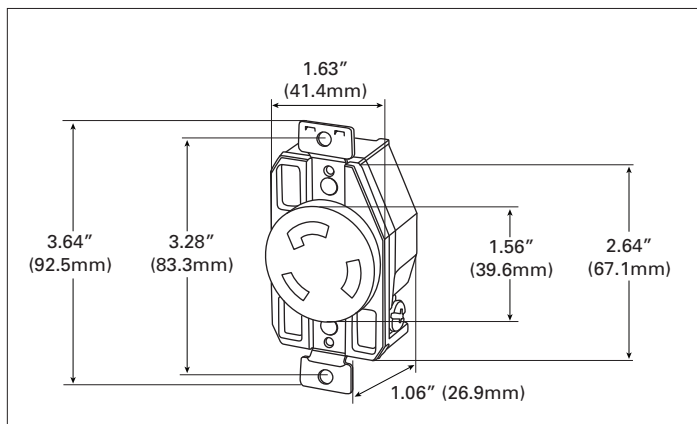


Figure 4. AHCL1020R

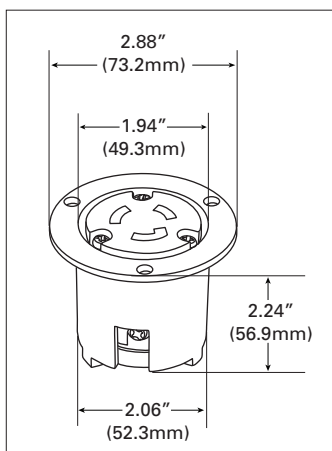


Figure 5. AHCL1020FO

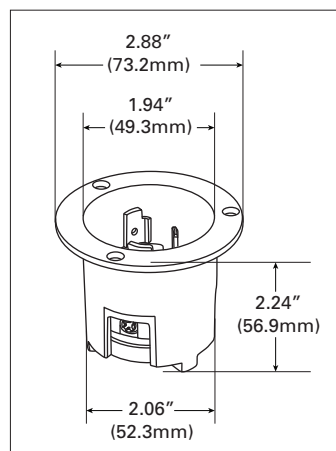


Figure 6. AHCL1020FI

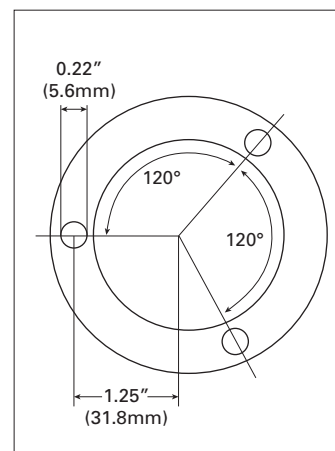


Figure 7. Top View

Project Name:	Prepared By:
Project Number:	Date:
Catalog Number:	Type:

## Certifications & Compliances

Catalog No.							
AHCL1020P	•						• • •
AHCL1020C	•						• • •
AHCL1020R		•		•			• • •
AHCL1020FO	•						• • •
AHCL1020FI	•						• • •

**KEY:** cULus UL CSA Fed Spec NOM NAFTA ROHS

Parts are manufactured and designed in accordance with article 4 of the European Union's RoHS2 directive 2011/65/EU

**Compliances, specifications and availability are subject to change without notice.**

Electrical Sector  
203 Cooper Circle  
Peachtree City, GA 30269  
United States  
Eaton.com  
Eaton.com/wiringdevices

Electrical Sector  
Canada Operations  
5925 McLaughlin Road  
Mississauga, Ontario, L5R 1B8  
Canada  
EatonCanada.ca  
Eaton.com/wiringdevices

Electrical Sector  
Mexico Operations  
Carr. Tlalnepantla -  
Cuautitlan Km 178 s/n  
Col. Villa Jardin esq.  
Cerrada 8 de Mayo  
Cuautitlan, Mexico CP 54800  
Mexico  
Eaton.mx  
Eaton.com/wiringdevices

**Eaton**  
1000 Eaton Boulevard  
Cleveland, OH 44122  
United States  
Eaton.com

© 2019 Eaton  
All Rights Reserved  
Printed in USA  
Publication No. TD630044EN  
February 2019

Eaton is a registered trademark.

All other trademarks are property  
of their respective owners.