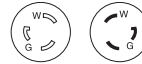


# Industrial grade L5-20 locking devices

Project Name:	Prepared By:
Project Number:	Date:
Catalog Number:	Type:

## Description

NEMA L5-20 20A, 125V/AC, 2P-3W



L5-20R L5-20P



AHL520P



AHL520C



AHL520R



AHL520FO

### Design features for plug & connector

- All nylon construction
- EPDM gasket seals cord hole from dust and debris
- Back wire terminal clamps for easy secure wiring
- Individual wiring compartments with tapered channel for easy insertion of wires
- Clear cover over wiring compartments allows easy inspection of wiring terminations
- Rating printed on side of device
- Largest-in-class grommet size allows for entire cord size range

### Design features for receptacle

- Rugged glass filled nylon body
- Clearly marked rating, NEMA configuration and approval listings on receptacle face
- One piece brass contacts offer superior performance and minimal heat rise
- Back and side wiring terminal clamps for easy, secure wiring

### Design features for flanged inlet & outlet

- All nylon construction
- Mounting holes interchangeable with competitive units
- Back wire terminal clamps for easy, secure wiring
- Individual wiring compartments with tapered channel for easy insertion of wires

**Table 1. NEMA L5-20 Industrial Grade Locking Devices**

Catalog No.	Description	Amps	Volts	Color
□ AHL520P	Ultra grip plug	20	125	Black & white
□ AHL520PBK	Ultra grip plug	20	125	Black
□ AHL520C	Ultra grip connector	20	125	Black & white
□ AHL520CBK	Ultra grip connector	20	125	Black
□ AHL520R	Single receptacle	20	125	Black
□ AHIGL520R	Single receptacle, isolated ground	20	125	Orange
□ AHL520FO	Flanged outlet	20	125	Black & white
□ AHL520FI	Flanged inlet	20	125	Black & white



Powering Business Worldwide

Compliances, specifications and availability are subject to change without notice.

Project Name:	Prepared By:
Project Number:	Date:
Catalog Number:	Type:

## Plug & Connector

NEMA L5-20 20A, 125V/AC, 2P-3W

**Table 2. Specifications**

Catalog No.	NEMA L5-20 Plug & Connector
<b>NEMA Config</b>	NEMA L5-20
<b>Wiring Type</b>	Back wire
<b>Environmental Specifications</b>	<b>Flammability:</b> Meets UL94 requirements; V2 rated <b>Temperature Rating:</b> -40°C to 60°C (-40°F to 140°F) except flat cable: -40°C to 75°C (-40°F to 167°F)
<b>Electrical Specifications</b>	<b>Dielectric Voltage:</b> Twice the device rating + 1000V per UL498 <b>Current Interrupting:</b> Yes, at full-rated current <b>Temperature Rise:</b> Max. 30°C (86°F) after 50 cycles of overload at 150% of rated current (DC)
<b>Mechanical Specifications</b>	<b>Terminal Accommodation:</b> #14 - #8 AWG <b>Voltage Ratings:</b> Permanently marked on device

**Table 3. Materials**

Catalog No.	NEMA L5-20 Plug & Connector
<b>NEMA Config</b>	NEMA L5-20
<b>Outer Shell</b>	Nylon
<b>Interior Body</b>	Nylon
<b>Terminal Retainer</b>	Polycarbonate
<b>Blades</b>	Brass
<b>Line Contacts</b>	Bronze, tin plated
<b>Terminal Clamps</b>	Steel, tin plated
<b>Terminal Screws</b>	#10-32 brass, zinc plated (neutral screw)
<b>Ground Screw</b>	#10-32 brass
<b>Assembly Screws</b>	Steel, nickel plated
<b>Gasket/Dust Shield</b>	EPDM
<b>Cord Clamp Screws</b>	Steel, nickel plated
<b>Cord Clamp</b>	Nylon

## Product Dimensions

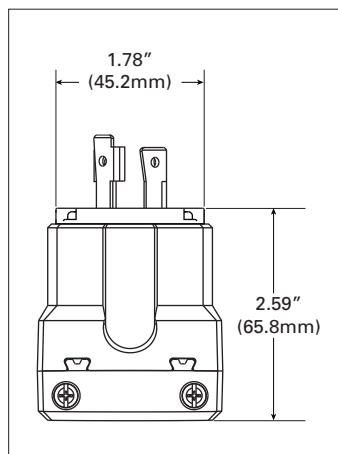


Figure 1. AHL520P

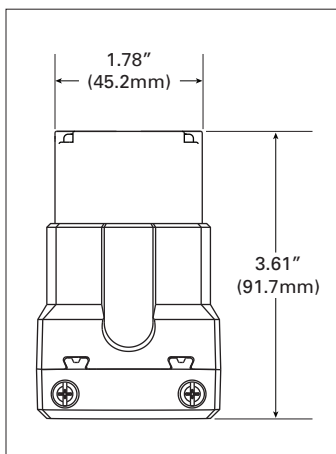


Figure 2. AHL520C

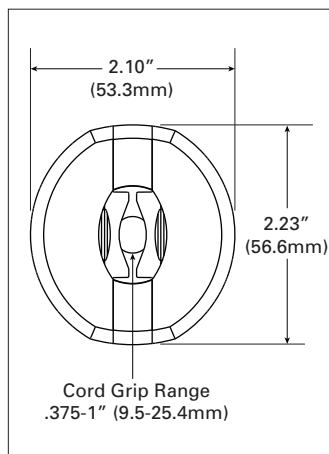


Figure 3. Base Angle

Compliances, specifications and availability are subject to change without notice.

Project Name:	Prepared By:
Project Number:	Date:
Catalog Number:	Type:

## Single Receptacle

NEMA L5-20 20A, 125V/AC, 2P-3W

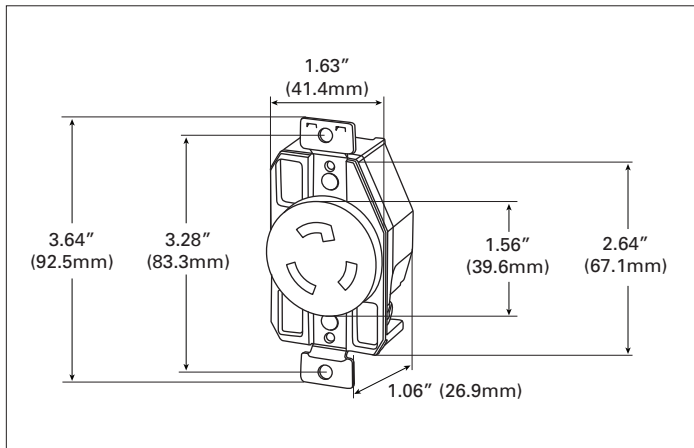
**Table 4. Specifications**

Catalog No.	NEMA L5-20 Single Receptacle
<b>NEMA Config</b>	NEMA L5-20
<b>Wiring Type</b>	Back & side wire
<b>Environmental Specifications</b>	<b>Flammability:</b> Meets UL94 requirements; V0 rated <b>Temperature Rating:</b> -40°C to 60°C (-40°F to 158°F)
<b>Electrical Specifications</b>	<b>Dielectric Voltage:</b> ≤300V: 2000V, 301-600V: 3000V per UL498 <b>Current Interrupting:</b> Yes, at full-rated current <b>Temperature Rise:</b> Max. 30°C (86°F) after 250 cycles of overload @ 200% of rated current (DC)
<b>Mechanical Specifications</b>	<b>Terminal Accommodation:</b> #14 - #8 AWG <b>Voltage Ratings:</b> Permanently marked on device

**Table 5. Materials**

Catalog No.	NEMA L5-20 Single Receptacle
<b>NEMA Config</b>	NEMA L5-20
<b>Face</b>	Glass-filled nylon
<b>Base</b>	Glass-filled nylon
<b>Mounting Strap</b>	0.050" thick steel, zinc plated
<b>Line Contacts</b>	0.041" thick brass
<b>Terminal Screws</b>	#10-32 brass, nickel plated (neutral screw)
<b>Ground Screw</b>	#10-32 brass (green)
<b>Terminal Clamps/Plates</b>	0.041" thick brass
<b>Ground Contacts</b>	0.041" thick brass
<b>Back Plate</b>	0.041" thick brass, nickel plated
<b>Mounting Screws</b>	Steel, zinc plated

## Product Dimensions



**Figure 4. AHL520R**

Compliances, specifications and availability are subject to change without notice.

Project Name:	Prepared By:
Project Number:	Date:
Catalog Number:	Type:

## Flanged Inlet & Outlet

NEMA L5-20 20A, 125V/AC, 2P-3W

Table 6. Specifications

<b>Catalog No.</b>	<b>NEMA L5-20 Flanged Inlet &amp; Outlet</b>
<b>NEMA Config</b>	NEMA L5-20
<b>Wiring Type</b>	Back wire
<b>Environmental Specifications</b>	<b>Flammability:</b> Meets UL94 requirements; V2 rated <b>Temperature Rating:</b> -40°C to 60°C (-40°F to 140°F)
<b>Electrical Specifications</b>	<b>Dielectric Voltage:</b> ≤300V: 2000V, 301-600V: 3000V per UL498 <b>Current Interrupting:</b> Yes, at full-rated current <b>Temperature Rise:</b> Flanged outlets: max. 30°C (86°F) after 50 cycles of overload @ 150% of rated current (DC); flanged inlets; max. 30°C (86°F) @ maximum rated current (DC)
<b>Mechanical Specifications</b>	<b>Terminal Accommodation:</b> #14 - #8 AWG <b>Voltage Ratings:</b> Permanently marked on device

Table 7. Materials

<b>Catalog No.</b>	<b>NEMA L5-20 Flanged Inlet &amp; Outlet</b>
<b>NEMA Config</b>	NEMA L5-20
<b>Outer Shell</b>	Nylon
<b>Interior Body</b>	Nylon
<b>Terminal Retainer</b>	Polycarbonate
<b>Blades</b>	0.062" thick brass
<b>Line Contacts</b>	0.031" thick bronze, tin plated
<b>Terminal Clamps</b>	Steel, tin plated
<b>Terminal Screws</b>	#10-32 brass, nickel plated (neutral screw)
<b>Ground Screw</b>	#10-32 brass (green)
<b>Assembly Screws</b>	Steel, nickel plated
<b>Mounting Screws</b>	Steel, zinc plated

## Product Dimensions

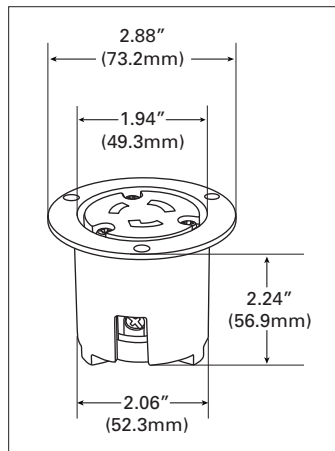


Figure 5. AHL520FO

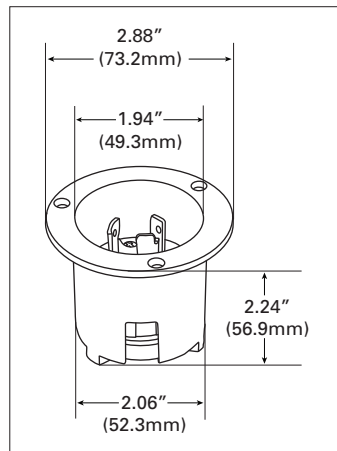


Figure 6. AHL520FI

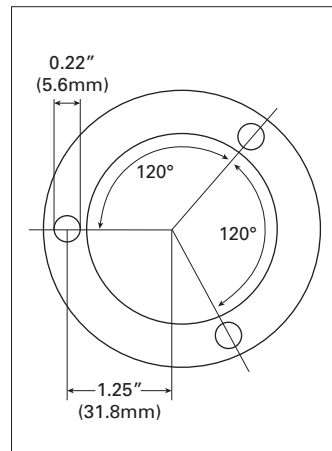









Figure 7. Top View


Compliances, specifications and availability are subject to change without notice.

Project Name:	Prepared By:
Project Number:	Date:
Catalog Number:	Type:

## Certifications & Compliances

Catalog No.							
AHL520P	•						•
AHL520PBK	•						•
AHL520C	•						•
AHL520CBK	•						•
AHL520R		•	•	•			•
AHIGL520R		•	•		•	•	•
AHL520FO		•	•			•	•
AHL520FI	•					•	•

**KEY:**  cULus  UL  CSA  Fed Spec  NOM  NAFTA  ROHS

 Parts are manufactured and designed in accordance with article 4 of the European Union's RoHS2 directive 2011/65/EU

**Compliances, specifications and availability are subject to change without notice.**

Electrical Sector  
203 Cooper Circle  
Peachtree City, GA 30269  
United States  
Eaton.com  
Arrowhart.com

Electrical Sector  
Canada Operations  
5925 McLaughlin Road  
Mississauga, Ontario, L5R 1B8  
Canada  
EatonCanada.ca  
Arrowhart.com

Electrical Sector  
Mexico Operations  
Carr. Tlalnepantla -  
Cuautitlan Km 178 s/n  
Col. Villa Jardin esq.  
Cerrada 8 de Mayo  
Cuautitlan, Mexico CP 54800  
Mexico  
Eaton.mx  
Arrowhart.com

**Eaton**  
1000 Eaton Boulevard  
Cleveland, OH 44122  
United States  
Eaton.com

© 2014 Eaton  
All Rights Reserved  
Printed in USA  
Publication No. 125-0074-13  
January 2014

Eaton is a registered trademark.

All other trademarks are property  
of their respective owners.