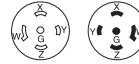


Industrial grade L21-20 locking devices

| | |
|-----------------|--------------|
| Project Name: | Prepared By: |
| Project Number: | Date: |
| Catalog Number: | Type: |

Description

NEMA L21-20 20A, 3ØY 120/208V/AC, 4P-5W



L21-20R L21-20P



AHL2120P



AHL2120C



AHL2120R



AHL2120FO

Design features for plugs & connectors

- All nylon construction
- EPDM gasket seals cord hole from dust and debris
- Back wire terminal clamps for easy secure wiring
- Individual wiring compartments with tapered channel for easy insertion of wires
- Clear cover over wiring compartments allows easy inspection of wiring terminations
- Rating printed on side of device
- Largest-in-class grommet size allows for entire cord size range

Design features for receptacles

- Rugged glass filled nylon body
- Clearly marked rating, NEMA configuration and approval listings on receptacle face
- One piece brass contacts offer superior performance and minimum heat rise
- Back and side wiring terminal clamps for easy, secure wiring

Design features for flanged inlet & outlet

- All nylon construction
- Mounting holes interchangeable with competitive units
- Back wire terminal clamps for easy, secure wiring
- Individual wiring compartments with tapered channel for easy insertion of wires

Table 1. NEMA L21-20 Industrial Grade Locking Devices

| Catalog No. | Description | Amps | Volts | Color |
|-------------------------------------|---|------|---------|---------------|
| <input type="checkbox"/> AHL2120P | Ultra grip plug, 3-phase | 20 | 120/208 | Black & white |
| <input type="checkbox"/> AHL2120PBK | Ultra grip plug, 3-phase | 20 | 120/208 | Black |
| <input type="checkbox"/> AHL2120PF | Ultra grip plug, flat cable, 3-phase | 20 | 120/208 | Black & white |
| <input type="checkbox"/> AHL2120C | Ultra grip connector, 3-phase | 20 | 120/208 | Black & white |
| <input type="checkbox"/> AHL2120CBK | Ultra grip connector, 3-phase | 20 | 120/208 | Black |
| <input type="checkbox"/> AHL2120CF | Ultra grip connector, flat cable, 3-phase | 20 | 120/208 | Black & white |
| <input type="checkbox"/> AHL2120R | Single receptacle, 3-phase | 20 | 120/208 | Black |
| <input type="checkbox"/> AHIGL2120R | Single receptacle, isolated ground, 3-phase | 20 | 120/208 | Orange |
| <input type="checkbox"/> AHL2120FO | Flanged outlet, 3-phase | 20 | 120/208 | Black & white |
| <input type="checkbox"/> AHL2120FI | Flanged inlet, 3-phase | 20 | 120/208 | Black & white |



Powering Business Worldwide

| | |
|-----------------|--------------|
| Project Name: | Prepared By: |
| Project Number: | Date: |
| Catalog Number: | Type: |

Plugs & Connectors

NEMA L21-20 20A, 3ØY 120/208V/AC, 4P-5W

Table 2. Specifications

| Catalog No. | NEMA L21-20 Plugs & Connectors |
|-------------------------------------|--|
| NEMA Config | NEMA L21-20 |
| Wiring Type | Back wire |
| Environmental Specifications | Flammability: Meets UL94 requirements; V2 rated Temperature Rating: -40°C to 60°C (-40°F to 140°F) except flat cable: -40°C to 75°C (-40°F to 167°F) |
| Electrical Specifications | Dielectric Voltage: Twice the device rating + 1000V per UL498 Current Interrupting: Yes, at full-rated current Temperature Rise: Max. 30°C (86°F) after 50 cycles of overload at 150% of rated current (DC) |
| Mechanical Specifications | Terminal Accommodation: #16 - #8 AWG Voltage Ratings: Permanently marked on device |

Table 3. Materials

| Catalog No. | NEMA L21-20 Plugs & Connectors |
|---------------------------|---|
| NEMA Config | NEMA L21-20 |
| Outer Shell | Nylon |
| Interior Body | Nylon |
| Terminal Retainer | Polycarbonate |
| Blades | Brass |
| Line Contacts | Bronze, tin plated |
| Terminal Clamps | Steel, tin plated |
| Terminal Screws | #10-32 brass, zinc plated (neutral screw) |
| Ground Screw | #10-32 brass |
| Assembly Screws | Steel, nickel plated |
| Gasket/Dust Shield | EPDM |
| Cord Clamp Screws | Steel, nickel plated |
| Cord Clamp | Nylon |

Product Dimensions

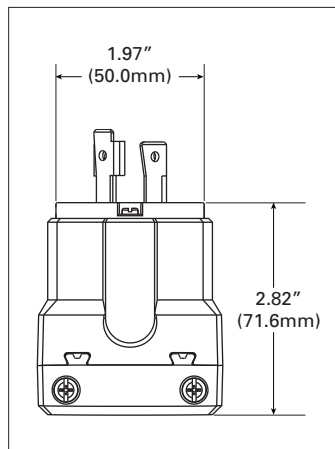


Figure 1. AHL2120P

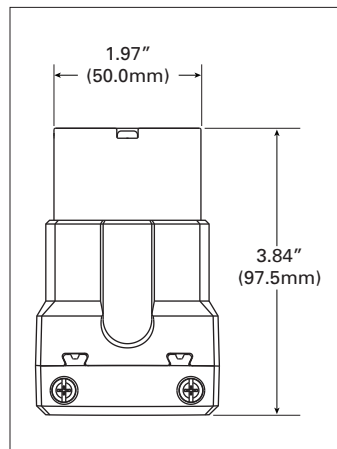


Figure 2. AHL2120C

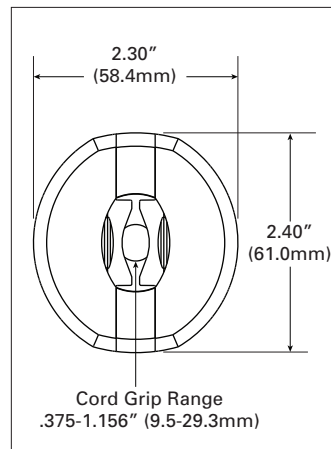


Figure 3. Base Angle

Compliances, specifications and availability are subject to change without notice.

| | |
|-----------------|--------------|
| Project Name: | Prepared By: |
| Project Number: | Date: |
| Catalog Number: | Type: |

Single Receptacles

NEMA L21-20 20A, 3ØY 120/208V/AC, 4P-5W

Table 4. Specifications

| Catalog No. | NEMA L21-20 Single Receptacles | NEMA L21-20 Isolated Ground Single Receptacles |
|-------------------------------------|--|---|
| NEMA Config | NEMA L21-20 | NEMA L21-20 |
| Wiring Type | Back & side wire | Back & side wire |
| Environmental Specifications | Flammability: Meets UL94 requirements; V0 rated Temperature Rating: -40°C to 60°C (-40°F to 140°F) | Flammability: Meets UL94 requirements; V0 rated Temperature Rating: -40°C to 70°C (-40°F to 158°F) |
| Electrical Specifications | Dielectric Voltage: ≤300V: 2000V, 301-600V: 3000V per UL498 Current Interrupting: Yes, at full-rated current Temperature Rise: Max. 30°C (86°F) after 250 cycles of overload @ 200% of rated current (DC) | Dielectric Voltage: ≤300V: 2000V, 301-600V: 3000V per UL498 Current Interrupting: Yes, at full-rated current Temperature Rise: Max. 30°C (86°F) after 50 cycles of overload @ 150% of rated current (DC) |
| Mechanical Specifications | Terminal Accommodation: #14 - #8 AWG Voltage Ratings: Permanently marked on device | Terminal Accommodation: #14 - #8 AWG Voltage Ratings: Permanently marked on device |

Table 5. Materials

| Catalog No. | NEMA L21-20 Single Receptacles | NEMA L21-20 Isolated Ground Single Receptacles |
|-------------------------------|---|--|
| NEMA Config | NEMA L21-20 | NEMA L21-20 |
| Face | Glass-filled nylon | Glass-filled nylon |
| Base | Glass-filled nylon | Glass-filled nylon |
| Mounting Strap | 0.050" thick steel, zinc plated | .050" thick steel, zinc plated |
| Line Contacts | 0.041" thick brass | 0.041" thick brass |
| Terminal Screws | #10-32 brass, nickel plated (neutral screw) | #10-32 brass, nickel plated (neutral screw) |
| Ground Screw | #10-32 brass (green) | #10-32 brass (green) |
| Terminal Clamps/Plates | 0.041" thick brass | .041" thick brass |
| Ground Contacts | 0.041" thick brass | .041" thick brass |
| Back Plate | 0.041" thick brass, nickel plated | .041" thick brass, nickel plated |
| Mounting Screws | Steel, zinc plated | Steel, zinc plated |

Product Dimensions

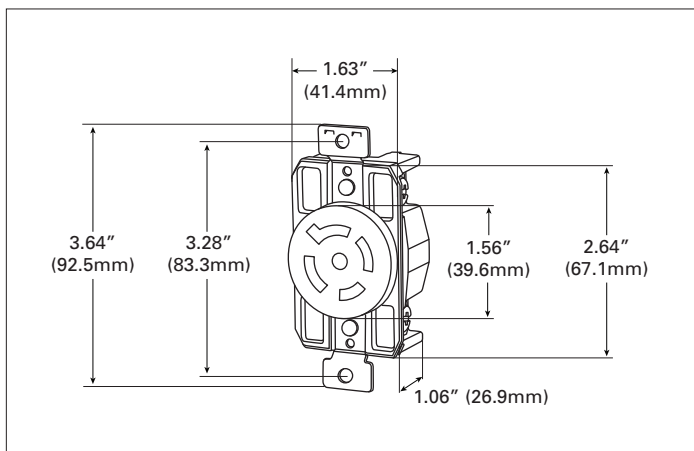


Figure 4. AHL2120R

Compliances, specifications and availability are subject to change without notice.

| | |
|-----------------|--------------|
| Project Name: | Prepared By: |
| Project Number: | Date: |
| Catalog Number: | Type: |

Flanged Outlet & Inlet

NEMA L21-20 20A, 3ØY 120/208V/AC, 4P-5W

Table 6. Specifications

| Catalog No. | NEMA L21-20 Flanged Outlet | NEMA L21-20 Flanged Inlet |
|-------------------------------------|---|---|
| NEMA Config | NEMA L21-20 | NEMA L21-20 |
| Wiring Type | Back wire | Back wire |
| Environmental Specifications | Flammability: Meets UL94 requirements; V2 rated Temperature Rating: -40°C to 60°C (-40°F to 140°F) | Flammability: Meets UL94 requirements; V2 rated Temperature Rating: -40°C to 60°C (-40°F to 140°F) |
| Electrical Specifications | Dielectric Voltage: ≤300V: 2000V, 301-600V: 3000V per UL498 Current Interrupting: Yes, at full-rated current Temperature Rise: Max. 30°C (86°F) after 50 cycles of overload @ 150% of rated current (DC) | Dielectric Voltage: ≤300V: 2000V, 301-600V: 3000V per UL498 Current Interrupting: Yes, at full-rated current Temperature Rise: Max. 30°C (86°F) @ maximum rated current (DC) |
| Mechanical Specifications | Terminal Accommodation: #14 - #8 AWG Voltage Ratings: Permanently marked on device | Terminal Accommodation: #14 - #8 AWG Voltage Ratings: Permanently marked on device |

Table 7. Materials

| Catalog No. | NEMA L21-20 Flanged Outlet | NEMA L21-20 Flanged Inlet |
|--------------------------|---|---|
| NEMA Config | NEMA L21-20 | NEMA L21-20 |
| Outer Shell | Nylon | Nylon |
| Interior Body | Nylon | Nylon |
| Terminal Retainer | Polycarbonate | Polycarbonate |
| Blades | N/A | 0.062" thick brass |
| Line Contacts | 0.031" thick bronze | N/A |
| Terminal Clamps | Steel | Steel |
| Terminal Screws | #10-32 brass, nickel plated (neutral screw) | #10-32 brass, nickel plated (neutral screw) |
| Ground Screw | #10-32 brass (green) | #10-32 brass (green) |
| Assembly Screws | Steel, nickel plated | Steel, nickel plated |
| Mounting Screws | Steel, zinc plated | Steel, zinc plated |

Product Dimensions

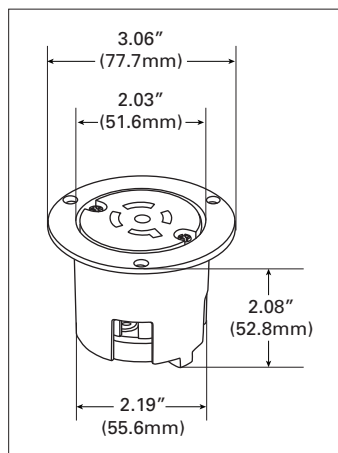


Figure 5. AHL2120FO

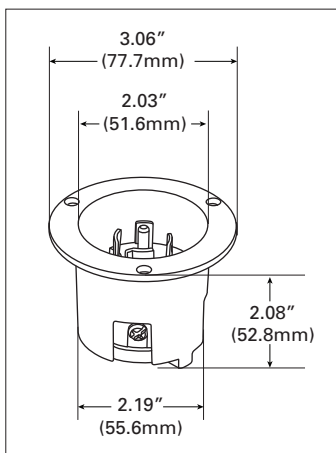


Figure 6. AHL2120FI

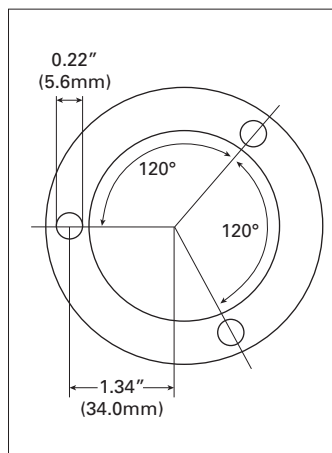









Figure 7. Top View


Compliances, specifications and availability are subject to change without notice.

| | |
|-----------------|--------------|
| Project Name: | Prepared By: |
| Project Number: | Date: |
| Catalog Number: | Type: |

Certifications & Compliances

| Catalog No. |  |  |  |  |  |  |  |
|-------------|---|---|---|---|---|---|---|
| AHL2120P | • | | | | • | • | • |
| AHL2120PBK | • | | | | • | • | • |
| AHL2120PF | | | | | • | • | • |
| AHL2120C | • | | | | • | • | • |
| AHL2120CBK | • | | | | • | • | • |
| AHL2120CF | | | | | • | • | • |
| AHL2120R | | • | • | • | • | • | • |
| AHIGL2120R | | • | • | | • | • | • |
| AHL2120FO | | • | • | | | • | • |
| AHL2120FI | • | | | | • | • | • |

KEY:  cULus  UL  CSA  Fed Spec  NOM  NAFTA  ROHS

 Parts are manufactured and designed in accordance with article 4 of the European Union's RoHS2 directive 2011/65/EU

Compliances, specifications and availability are subject to change without notice.

Electrical Sector
203 Cooper Circle
Peachtree City, GA 30269
United States
Eaton.com
Arrowhart.com

Electrical Sector
Canada Operations
5925 McLaughlin Road
Mississauga, Ontario, L5R 1B8
Canada
EatonCanada.ca
Arrowhart.com

Electrical Sector
Mexico Operations
Carr. Tlalnepantla -
Cuautitlan Km 178 s/n
Col. Villa Jardin esq.
Cerrada 8 de Mayo
Cuautitlan, Mexico CP 54800
Mexico
Eaton.mx
Arrowhart.com

Eaton
1000 Eaton Boulevard
Cleveland, OH 44122
United States
Eaton.com

© 2014 Eaton
All Rights Reserved
Printed in USA
Publication No. 125-0087-13
February 2014

Eaton is a registered trademark.

All other trademarks are property
of their respective owners.