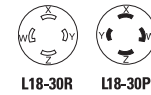


Arrow Hart industrial grade L18-30 locking devices

Project Name:	Prepared By:
Project Number:	Date:
Catalog Number:	Type:

Description

4-Pole, 4-Wire
30A, 3ØY/120/208V/AC
NEMA L18-30



AHL1830P



AHL1830C



AHL1830R



AHL1830FO

Design features for plug & connector

- All nylon construction
- EPDM gasket seals cord hole from dust and debris
- Back wire terminal clamps for easy secure wiring
- Individual wiring compartments with tapered channel for easy insertion of wires
- Clear cover over wiring compartments allows easy inspection of wiring terminations
- Rating printed on side of device
- Largest-in-class grommet size allows for entire cord size range

Design features for receptacle

- Rugged glass filled nylon body
- Clearly marked rating, NEMA configuration and approval listings on receptacle face
- One piece brass contacts offer superior performance and minimum heat rise
- Back and side wiring terminal clamps for easy, secure wiring

Design features for flanged inlet & outlet

- All nylon construction
- Mounting holes interchangeable with competitive units
- Back wire terminal clamps for easy, secure wiring
- Individual wiring compartments with tapered channel for easy insertion of wires

Table 1. NEMA L18-30 Industrial Grade Locking Devices

Catalog No.	Description	Amps	Volts	Color
□ AHL1830P	Ultra grip plug, 3-phase	30	120/208	Black & white
□ AHL1830C	Ultra grip connector, 3-phase	30	120/208	Black & white
□ AHL1830R	Single receptacle, 3-phase	30	120/208	Black
□ AHL1830FO	Flanged outlet, 3-phase	30	120/208	Black & white
□ AHL1830FI	Flanged inlet, 3-phase	30	120/208	Black & white

Compliances, specifications and availability are subject to change without notice.



Powering Business Worldwide

Project Name:	Prepared By:
Project Number:	Date:
Catalog Number:	Type:

Plug & Connector

4-Pole, 4-Wire
30A, 3ØY/120/208V/AC
NEMA L18-30

Table 2. Specifications

Catalog No.	NEMA L18-30 Plug & Connector
NEMA Config	NEMA L18-30
Wiring Type	Back wire
Environmental Specifications	Flammability: Meets UL94 requirements; V2 rated Temperature Rating: -40°C to 60°C (-40°F to 140°F) except flat cable: -40°C to 75°C (-40°F to 167°F)
Electrical Specifications	Dielectric Voltage: Twice the device rating + 1000V per UL498 Current Interrupting: Yes, at full-rated current Temperature Rise: Max. 30°C (86°F) after 50 cycles of overload at 150% of rated current (DC)
Mechanical Specifications	Terminal Accommodation: #16 - #8 AWG Voltage Ratings: Permanently marked on device

Table 3. Materials

Catalog No.	NEMA L18-30 Plug & Connector
NEMA Config	NEMA L18-30
Outer Shell	Nylon
Interior Body	Nylon
Terminal Retainer	Polycarbonate
Blades	Brass
Line Contacts	Bronze, tin plated
Terminal Clamps	Steel, tin plated
Terminal Screws	#10-32 brass, zinc plated (neutral screw)
Ground Screw	#10-32 brass
Assembly Screws	Steel, nickel plated
Gasket/Dust Shield	EPDM
Cord Clamp Screws	Steel, nickel plated
Cord Clamp	Nylon

Product Dimensions

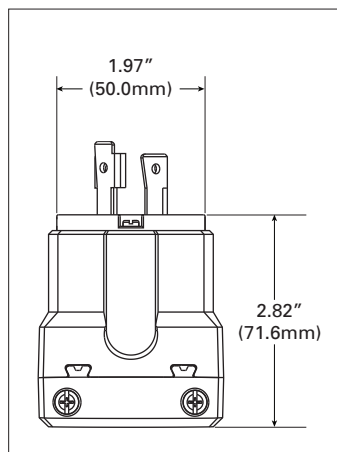


Figure 1. AHL1830P

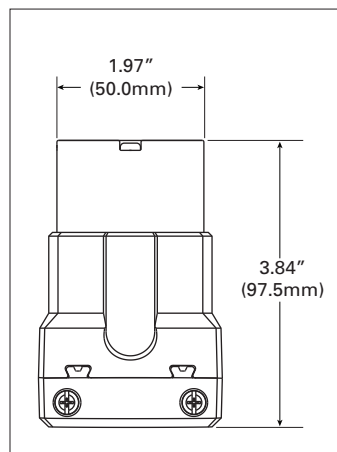


Figure 2. AHL1830C

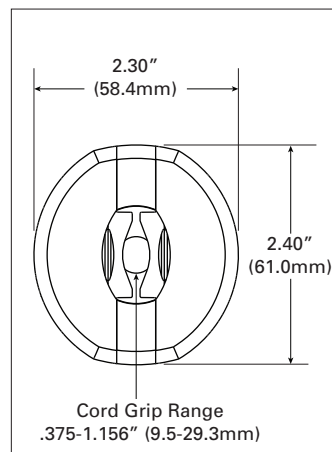


Figure 3. Base Angle

Compliances, specifications and availability are subject to change without notice.

Project Name:	Prepared By:
Project Number:	Date:
Catalog Number:	Type:

Single Receptacle

4-Pole, 4-Wire
30A, 3ØY/120/208V/AC
NEMA L18-30

Table 4. Specifications

Catalog No.	NEMA L18-30 Single Receptacle
NEMA Config	NEMA L18-30
Wiring Type	Back & side wire
Environmental Specifications	Flammability: Meets UL94 requirements; V0 rated Temperature Rating: -40°C to 60°C (-40°F to 140°F)
Electrical Specifications	Dielectric Voltage: ≤300V: 2000V, 301-600V: 3000V per UL498 Current Interrupting: Yes, at full-rated current Temperature Rise: Max. 30°C (86°F) after 50 cycles of overload @ 150% of rated current (DC)
Mechanical Specifications	Terminal Accommodation: #14 - #8 AWG Voltage Ratings: Permanently marked on device

Table 5. Materials

Catalog No.	NEMA L18-30 Single Receptacle
NEMA Config	NEMA L18-30
Face	Glass-filled nylon
Base	Glass-filled nylon
Mounting Strap	0.050" thick steel, zinc plated
Line Contacts	0.041" thick brass
Terminal Screws	#10-32 brass, nickel plated (neutral screw)
Ground Screw	#10-32 brass (green)
Terminal Clamps/Plates	0.041" thick brass
Ground Contacts	0.041" thick brass
Back Plate	0.041" thick brass, nickel plated
Mounting Screws	Steel, zinc plated

Product Dimensions

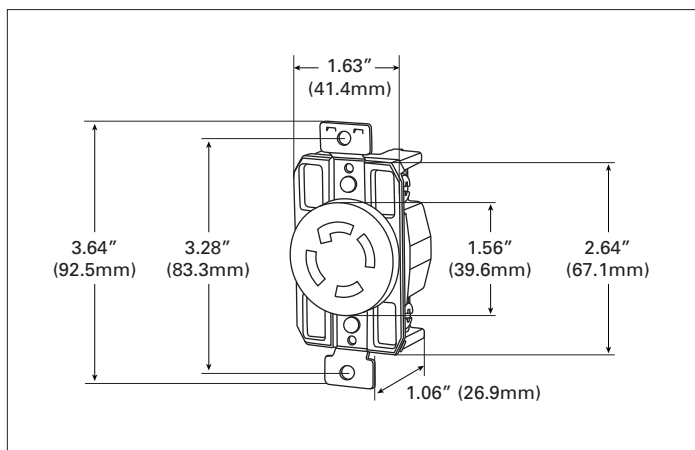


Figure 4. AHL1830R

Compliances, specifications and availability are subject to change without notice.

Project Name:	Prepared By:
Project Number:	Date:
Catalog Number:	Type:

Flanged Outlet & Inlet

4-Pole, 4-Wire
30A, 3ØY/120/208V/AC
NEMA L18-30

Table 6. Specifications

Catalog No.	NEMA L18-30 Flanged Outlet	NEMA L18-30 Flanged Inlet
NEMA Config	NEMA L18-30	NEMA L18-30
Wiring Type	Back wire	Back wire
Environmental Specifications	Flammability: Meets UL94 requirements; V2 rated Temperature Rating: -40°C to 60°C (-40°F to 140°F)	Flammability: Meets UL94 requirements; V2 rated Temperature Rating: -40°C to 60°C (-40°F to 140°F)
Electrical Specifications	Dielectric Voltage: ≤300V: 2000V, 301-600V: 3000V per UL498 Current Interrupting: Yes, at full-rated current Temperature Rise: Max. 30°C (86°F) after 50 cycles of overload @ 150% of rated current (DC)	Dielectric Voltage: ≤300V: 2000V, 301-600V: 3000V per UL498 Current Interrupting: Yes, at full-rated current Temperature Rise: Max. 30°C (86°F) @ maximum rated current (DC)
Mechanical Specifications	Terminal Accommodation: #14 - #8 AWG Voltage Ratings: Permanently marked on device	Terminal Accommodation: #14 - #8 AWG Voltage Ratings: Permanently marked on device

Table 7. Materials

Catalog No.	NEMA L18-30 Flanged Outlet	NEMA L18-30 Flanged Inlet
NEMA Config	NEMA L18-30	NEMA L18-30
Outer Shell	Nylon	Nylon
Interior Body	Nylon	Nylon
Terminal Retainer	Polycarbonate	Polycarbonate
Blades	N/A	0.062" thick brass
Line Contacts	0.031" thick bronze	N/A
Terminal Clamps	Steel	Steel
Terminal Screws	#10-32 brass, nickel plated (neutral screw)	#10-32 brass, nickel plated (neutral screw)
Ground Screw	#10-32 brass (green)	#10-32 brass (green)
Assembly Screws	Steel, nickel plated	Steel, nickel plated
Mounting Screws	Steel, zinc plated	Steel, zinc plated

Product Dimensions

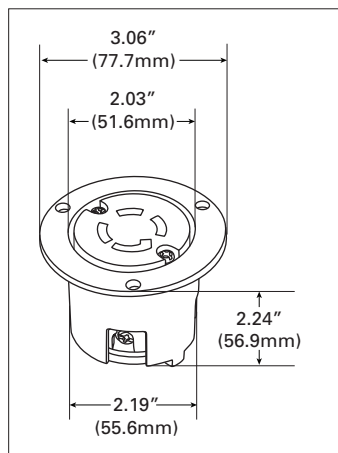


Figure 5. AHL1830FO

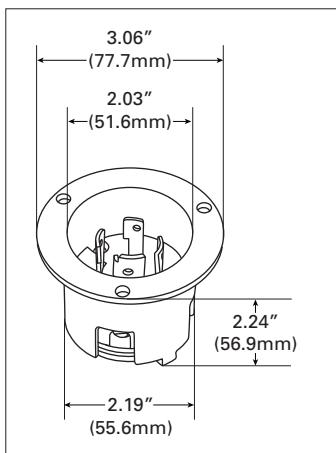


Figure 6. AHL1830FI

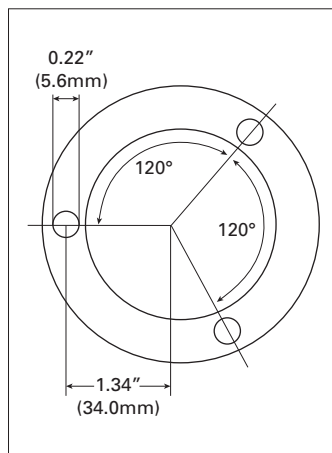







Figure 7. Top View


Compliances, specifications and availability are subject to change without notice.

Project Name:	Prepared By:
Project Number:	Date:
Catalog Number:	Type:

Certifications & Compliances

Catalog No.					
AHL1830P	•	•	•	•	•
AHL1830C	•	•	•	•	•
AHL1830R	•	•	•	•	•
AHL1830FO	•	•	•	•	•
AHL1830FI	•	•	•	•	•

KEY:  cULus  UL  NOM  NAFTA  ROHS

 Parts are manufactured and designed in accordance with article 4 of the European Union's RoHS2 directive 2011/65/EU

Compliances, specifications and availability are subject to change without notice.

Electrical Sector
203 Cooper Circle
Peachtree City, GA 30269
United States
Eaton.com
Arrowhart.com

Electrical Sector
Canada Operations
5925 McLaughlin Road
Mississauga, Ontario, L5R 1B8
Canada
EatonCanada.ca
Arrowhart.com

Electrical Sector
Mexico Operations
Carr. Tlalnepantla -
Cautitlan Km 17.8 s/n
Col. Villa Jardin esq.
Cerrada 8 de Mayo
Cautitlan, Mexico CP 54800
Mexico
Eaton.mx
Arrowhart.com

Eaton
1000 Eaton Boulevard
Cleveland, OH 44122
United States
Eaton.com

© 2020 Eaton
All Rights Reserved
Printed in USA
Publication No. TD630062EN
March 2020

Eaton is a registered trademark.

All other trademarks are property
of their respective owners.