

Arrow Hart locking devices specifically designed for data centers

Project Name:	Prepared By:
Project Number:	Date:
Catalog Number:	Type:

Description

30A, 240 V/AC, 240/415 V/AC
 2-pole, 3-wire grounding
 4-pole, 5-wire grounding

Features and Benefits

- Energy saving configurations that use 240V or 240/415V for line to line connections
- Amperage/voltage and configuration clearly marked on the device for easy identification of device capabilities
- Terminal body assembly screws backed out for fast wiring and assembly
- Tri-combo screws to facilitate use of a wide variety of tools to assist with more rapid assembly
- Double dove tail provides for superior cord alignment and retention
- Longer bosses on cord grip allow for excellent clamp force on large diameter cords ensuring tight connections
- Dust shield is made of durable neoprene to keep foreign particles of entering the cord chamber
- Configurations come with an isolated grade option for added grounding protection from miscellaneous line interference



AHL2530C



AHL2530P



AHL2630C



AHL2630P



Receptacle
30A 240V



Plug
30A 240V



Receptacle
30A 240V



Plug
30A 240V

Table 1. Industrial grade plugs & connectors

Catalog No.	Description	Cord diameter	Amps	Volts	Color
<input type="checkbox"/> AHL2530P	Ultra grip plug	0.38-1.00" (10-25mm)	30	240 V/AC	BK & W
<input type="checkbox"/> AHL2530C	Ultra grip connector	0.38-1.00" (10-25mm)	30	240 V/AC	BK & W
<input type="checkbox"/> AHL2630P	Ultra grip plug, 3-phase	0.38-1.16" (10-30mm)	30	240/415 V/AC	BK & W
<input type="checkbox"/> AHL2630C	Ultra grip connector, 3-phase	0.38-1.16" (10-30mm)	30	240/415 V/AC	BK & W

Compliances, specifications and availability are subject to change without notice.



Powering Business Worldwide

Project Name:	Prepared By:
Project Number:	Date:
Catalog Number:	Type:



AHL2530R



AHL2630R

Table 1. Industrial grade receptacles

Catalog No.	Description	Amps	Volts	Color
<input type="checkbox"/> AHL2530R	Single receptacle	30	240 V/AC	BK
<input type="checkbox"/> IGL2530R	Single receptacle, isolated ground	30	240 V/AC	OR
<input type="checkbox"/> AHL2630R	Single receptacle	30	240/415 V/AC	BK
<input type="checkbox"/> IGL2630R	Single receptacle, isolated ground	30	240/415 V/AC	OR

Applications

Data center users will embrace the safety and effectiveness of the new Eaton data center configured devices – plugs, connectors, and receptacles, additionally available with isolated ground receptacles. With new configurations, the data center locking device lineup is ideal for energy savings and a potential reduction in breaker usage. Built to withstand high variations in atmospheric conditions, the durable nylon shell and nylon body will continue operating. The ergonomic design will provide users the comfortable feel and the double dovetail with long bosses will allow for maximum grip retention.

Table 2. Specifications

Ultra grip nylon locking plugs and connectors AHL2530P, AHL2530C, AHL2630P, AHL2630C	
Catalog no.	AHL2530P, AHL2530C, AHL2630P, AHL2630C
Device type	Power lock plugs and connectors
Wiring type	Back wire
Testing & code compliance	<ul style="list-style-type: none"> Listed to UL 498, file no. E15012 UL certified to C22.2, no. 42-10
Environmental specifications	Flammability: Meets UL94 requirements; V2 rated Temperature rating: -40°C to 60°C (-40°F to 140°F)
Electrical specifications	Dielectric voltage: 3000V Current interrupting: Yes, at full-rated current Temperature rise: Max. 30°C (86°F) 250 cycles of overload at 200% of rated current (AC)
Mechanical specifications	Terminal accommodation: #16 - #8 AWG Voltage ratings: Permanently marked on device

Table 3. Materials

Ultra grip nylon locking plugs and connectors AHL2530P, AHL2530C, AHL2630P, AHL2630C	
Catalog no.	AHL2530P, AHL2530C, AHL2630P, AHL2630C
Inlet flip lid cover & base	N/A
Flanged housing	N/A
Plug/connector outer shell	Nylon
Interior body	Nylon
Terminal cap	Polycarbonate
Blades	Brass
Line contacts	Brass
Terminal clamp	Steel, tin plated
Terminal screws	#10-32 brass, zinc plated (neutral screw), black plated (hot)
Ground screw	#10-32 brass
Assembly/mounting screws	Steel, nickel plated
Cord clamp screws	Steel, nickel plated
Cord clamp	Nylon

Project Name:	Prepared By:
Project Number:	Date:
Catalog Number:	Type:

Table 4. Specifications

Catalog no.	Locking receptacles AHL2530R, IGL2530R, AHL2630R, IGL2630R
Device type	Power lock receptacles
Wiring type	Back & side wire
Testing & code compliance	<ul style="list-style-type: none"> Listed to UL498, file no. E15058, except 23000G UL certified to C22.2, no. 42-10
Environmental specifications	Flammability: Meets UL94 requirements; V0 rated Temperature rating: -40°C to 60°C (-40°F to 140°F)
Electrical specifications	Dielectric voltage: ≤300V: 2000V, 301-600V: 3000V per UL498 Current interrupting: Yes, at full-rated current Temperature rise: Max. 30°C (86°F) after 250 cycles of overload @ 200% of rated current (AC)
Mechanical specifications	Terminal accommodation: #14 - 8 AWG Voltage ratings: Permanently marked on device

Table 5. Materials

Catalog no.	Locking receptacles AHL2530R, IGL2530R, AHL2630R, IGL2630R
Interior body/face & base	Glass-filled nylon
Mounting strap	0.050" thick steel, zinc plated
Blades	0.062" thick brass
Line contacts	0.041" thick copper
Mounting screws	steel, zinc plated
Terminal screws	#10-32 brass, nickel plated (neutral screw), black (hot)
Ground screw	#10-32 brass (green)

Table 6. Color information

BK (Black), OR (Orange), W (White)



Product Dimensions

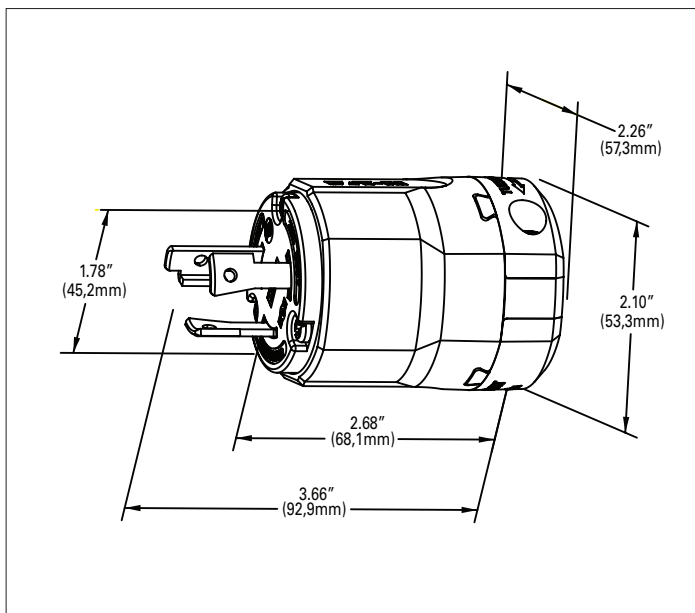


Figure 1. AHL2530P Line art with dimensions

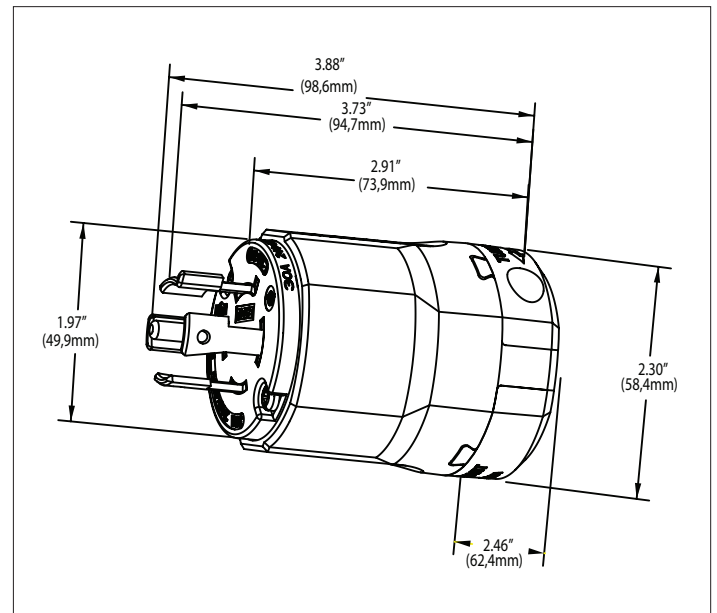


Figure 2. AHL2630P Line art with dimensions

Project Name:	Prepared By:
Project Number:	Date:
Catalog Number:	Type:

Product Dimensions

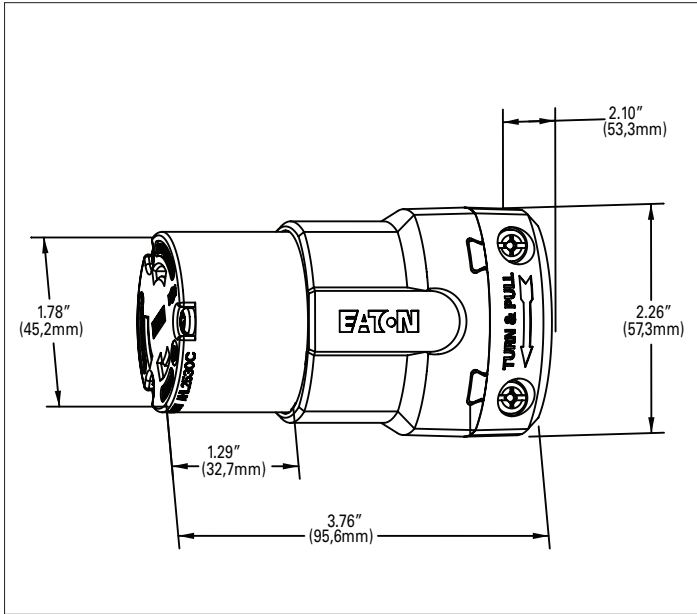


Figure 3. AHL2530C Line art with dimensions

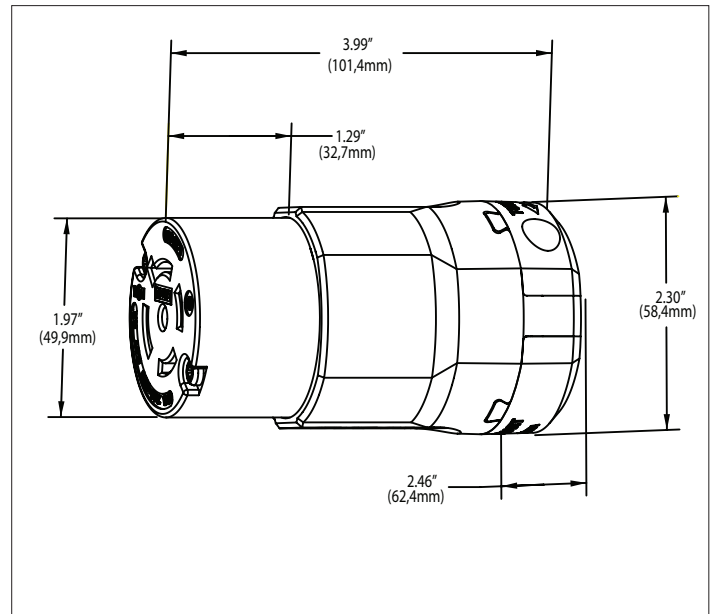


Figure 4. AHL2630C Line art with dimensions

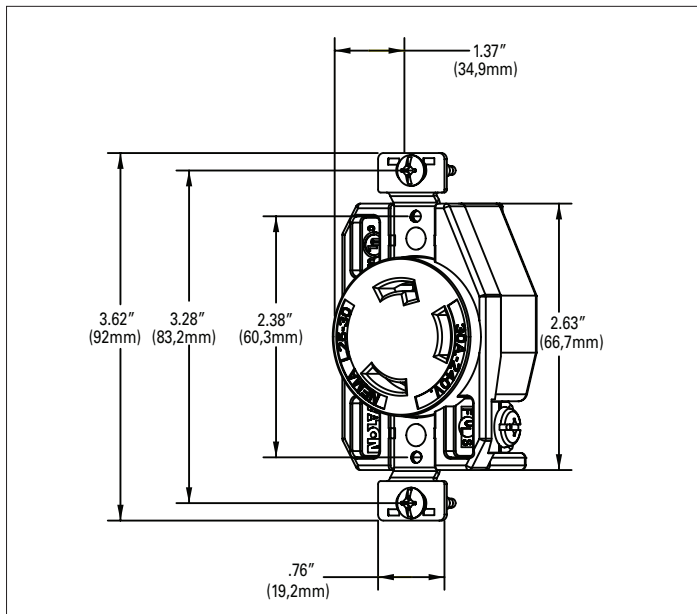


Figure 5. AHL2530R Line art with dimensions

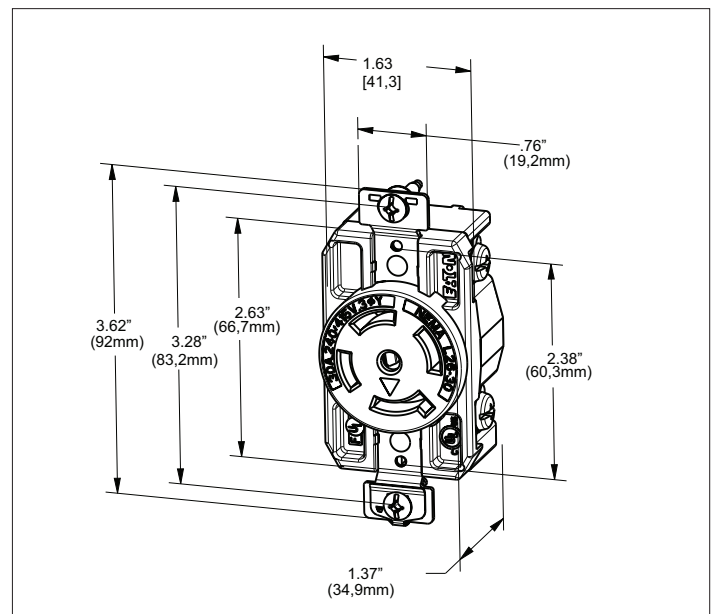




Figure 6. AHL2630R Line art with dimensions

Project Name:	Prepared By:
Project Number:	Date:
Catalog Number:	Type:

Certifications & Compliances

Catalog No.		
AHL2530P	•	•
AHL2530C	•	•
AHL2530R	•	•
IGL2530R	•	•
AHL2630P	•	•
AHL2630C	•	•
AHL2630R	•	•
IGL2630R	•	•

KEY:  cULus  Fed Spec

Electrical Sector
203 Cooper Circle
Peachtree City, GA 30269
United States
Eaton.com
Eaton.com/arrowhart

Electrical Sector
Canada Operations
5925 McLaughlin Road
Mississauga, Ontario, L5R 1B8
Canada
EatonCanada.ca
Eaton.com/arrowhart

Electrical Sector
Mexico Operations
Carr. Tlalnepantla -
Cuautitlán Km 17.8 s/n
Col. Villa Jardín esq.
Cerrada 8 de Mayo
Cuautitlán, México CP 54800
México
Eaton.mx
Eaton.com/arrowhart