

# Universal slide dimmer

Project Name:	Prepared By:
Project Number:	Date:
Catalog Number:	Type:

## Description

Single pole & 3-Way  
 300W Dimmable LED, Dimmable Compact Fluorescent (CFL)  
 500W Incandescent (INC)/Halogen (HAL), Dimmable Fluorescent  
 (FLR), Magnetic Low-Voltage (MLV), Electronic Low-Voltage (ELV)



SUL06P-W

## Design features

- Preset feature allows user to return to previous light level when turning lights ON
- Device can be wired into either 3-way location (load side or line side)
- Neutral is not required for installation of device
- Adjustable low and high level trim setting for optimal lamp compatibility and energy savings
- Radio frequency interference filtering is standard on all models
- Precise color matching
- Compatible with any decorator wallplate or screwless decorator wallplate
- Compatible with most common dimmable lighting loads (forward phase-cut)
- Soft gradual ON feature
- CA Title 24 Compliant



SUL06P-C2



SUL06P-C7

**Table 1. Universal Slide Dimmer**

Catalog No.	Description	Compatible Universal Types	Rating Watt	Rating V/AC	Color Suffix	TITLE 24
□ SUL06P-__	Slide dimmer, single pole/3-way, preset	Dimmable LED/CFL	300	120	BK, LA, V, W, C2, C7	•
		INC, HAL, FLR, MLV, ELV	500	120	BK, LA, V, W, C2, C7	

Compliances, specifications and availability are subject to change without notice.



Powering Business Worldwide

Project Name:	Prepared By:
Project Number:	Date:
Catalog Number:	Type:

## Applications

The universal slide dimmer provides full-range classic linear-slide dimming for 300W dimmable LED and CFL as well as 500W incandescent, halogen, dimmable fluorescent, electronic low-voltage & magnetic low-voltage light sources. These units are ideal for residential and light commercial applications and are compatible with Eaton's Wiring Devices decorator style devices and wallplates. The preset "ON/OFF" switch automatically returns controlled light(s) to a preset level without disturbing the brightness level. The device is designed for both single pole (one location) and 3-way (multi-location) applications, and features a soft gradual ON setting that provides seamless dimming.

**Table 2. Specifications**

Catalog No.	SUL06P Series
<b>Device Type</b>	<b>Universal Slide Dimmer</b>
<b>Wiring Type</b>	Back & side wire
<b>Testing &amp; Code Compliance</b>	<ul style="list-style-type: none"> <li>cULus Listed to UL1472, file no. E47967</li> <li>NOM Certified</li> </ul>
<b>Environmental Specifications</b>	<b>Flammability:</b> Meets UL 94 requirements; V2 rated <b>Temperature Rating:</b> -20°C to 70°C (-4°F to 158°F)
<b>Electrical Specifications</b>	<b>Rating:</b> 120V/AC 60 Hz <b>Light Intensity Control:</b> Full-range, continuously variable dimming <b>Dimming Performance:</b> Square Law Dimming curve Solid State Dimming <b>Radio Frequency Interference:</b> Designed to reduce interference with radio, audio and video equipment <b>Power-failure Memory:</b> Light returns to same level prior to power interruption <b>Lamp Ratings:</b> 300W Dimmable LED/CFL; 500W Incandescent, Halogen, Dimmable Fluorescent, Electronic Low-Voltage, Magnetic Low-Voltage
<b>Mechanical Specifications</b>	<b>Wiring Types:</b> Single pole & 3-way <b>Voltage Ratings:</b> Permanently marked on device

**Table 3. Materials**

Catalog No.	SUL06P Series
<b>Top Housing</b>	Polycarbonate
<b>Bottom Housing</b>	Polycarbonate
<b>Strap</b>	Aluminum
<b>Form Factor</b>	Decorator
<b>Finish</b>	Gloss

**Table 4. De-Rating Chart - 600W Models**

Lamp Type	1-Gang	2-Gang	3-Gang +
<b>LED/CFL</b>	300W max.	300W max.	300W max.
<b>INC, HAL, ELV, MLV</b>	500W max.	500W max.	400W max.
<b>MLV</b>	600VA max.	600VA max.	600VA max.
<b>FLR</b>	See Ballast Performance Data pages		

**Table 5. Color Ordering Information**

For ordering devices, include Cat. No. followed by the color code: BK (Black), LA (Light Almond), V (Ivory), W (White), C2 (Color Change Kit: LA, W, V), C7 (Color Change Kit: BK, B, GY)

<b>BK</b>	<b>LA</b>	<b>V</b>	<b>W</b>	<b>LA</b>	<b>W</b>	<b>V</b>	<b>BK</b>	<b>B</b>	<b>GY</b>
(Black)	(Light Almond)	(Ivory)	(White)	C2 Color Change Kit LA (Light Almond), W (White), V (Ivory)			C7 Color Change Kit BK (Black), B (Brown), GY (Gray)		

**For LED Lamp Compatibility refer to:**

[www.Eaton.com/led-dimming](http://www.Eaton.com/led-dimming)

Project Name:	Prepared By:
Project Number:	Date:
Catalog Number:	Type:

**Product Dimensions**

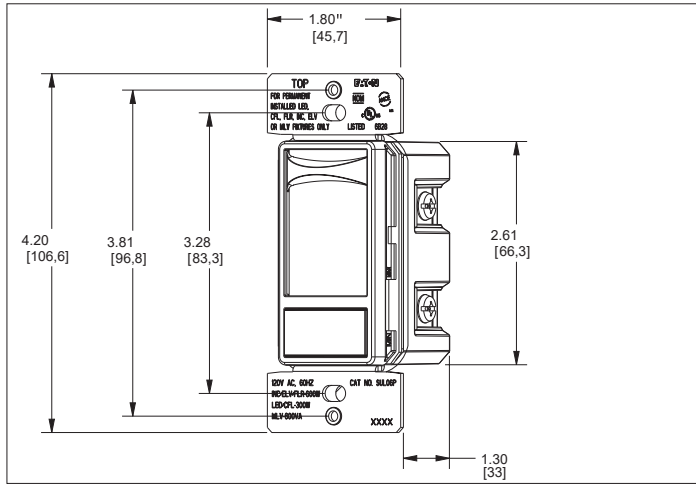
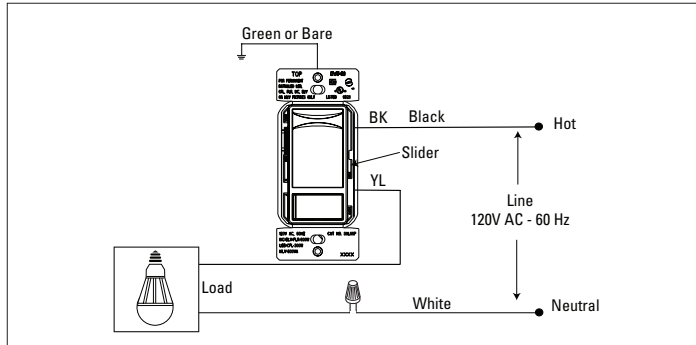


Figure 1. SUL06P Line Art with Dimensions

**Wiring Diagrams**

**Single Pole Wiring Diagram**

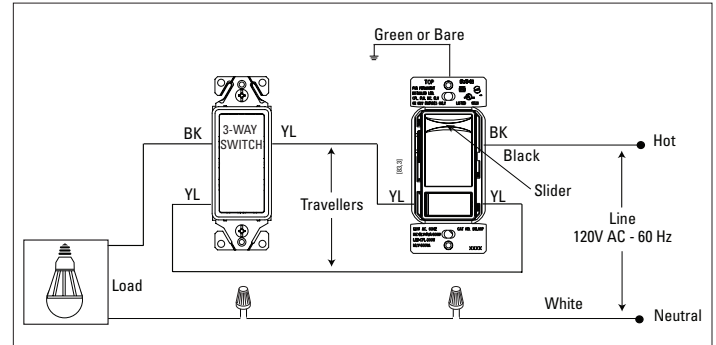
INC, HAL, LED/CFL, FLR, MLV, ELV



**Note:** Location of terminal screws are color-coded with "BK" or "YL"

**3-Way Wiring Diagram**

INC, HAL, LED/CFL, FLR, MLV, ELV



**Note:** 3-way switch must be used at the other locations.

**Certifications & Compliances**

Catalog No.			
SUL06P	•	•	•

**KEY:** cULus NOM CA Title 24 Compliant

Compliances, specifications and availability are subject to change without notice.

Electrical Sector  
203 Cooper Circle  
Peachtree City, GA 30269  
United States  
Eaton.com  
Eaton.com/wiringdevices

Electrical Sector  
Canada Operations  
5925 McLaughlin Road  
Mississauga, Ontario, L5R 1B8  
Canada  
EatonCanada.ca  
Eaton.com/wiringdevices

Electrical Sector  
Mexico Operations  
Carr. Tlalpanantla -  
Cuautitlan Km 17.8 s/n  
Col. Villa Jardin esq.  
Cerrada 8 de Mayo  
Cuautitlan, Mexico CP 54800  
Mexico  
Eaton.mx  
Eaton.com/wiringdevices



**Eaton**  
1000 Eaton Boulevard  
Cleveland, OH 44122  
United States  
Eaton.com

© 2021 Eaton  
All Rights Reserved  
Printed in USA  
Publication No. TD610132EN (Rev. 1)  
September 2021

Eaton is a registered trademark.  
All other trademarks are property  
of their respective owners.