

Universal phase selectable slide dimmer

Project Name:	Prepared By:
Project Number:	Date:
Catalog Number:	Type:

Description

Single pole & 3-Way
LED/CFL/ELV; 450W, 120V/AC; 450W, 277V/AC
HAL/INC/FLR; 650W, 120V/AC; 1000W, 277V/AC



SUF7

Design features

- User can select between forward and reverse phase cut dimming for most optimal dimming compatibility
- Preset feature allows user to return to previous light level when turning lights ON
- Universal dimming of most common phase-cut dimmable lighting loads (No MLV)
- No de-rating required for LED/CFL loads in multi-gang applications
- Integrated full-slide control for easy, precise operation
- Device can be wired into either 3-Way location (load side or line side)
- Adjustable low-level trim setting for optimal lamp compatibility
- Radio frequency interference filtering is standard on all models
- Electrostatic discharge protection
- Surge protection for load and device
- Precise color matching
- Compatible with any decorator wallplate or screwless decorator wallplate
- Neutral required for installation

Table 1. Universal Phase Selectable Slide Dimmer

Catalog No.	Description	Compatible Lamp Types	Rating		Color Suffix
			Watt	V/AC	
□ SUF7__	Universal phase selectable slide dimmer	LED, CFL, ELV	450	120	BK, GY, LA, V, W
			450	277	BK, GY, LA, V, W
		INC, HAL, FLR	650	120	BK, GY, LA, V, W
			1000	277	BK, GY, LA, V, W

Compliances, specifications and availability are subject to change without notice.



Powering Business Worldwide

Project Name:	Prepared By:
Project Number:	Date:
Catalog Number:	Type:

Applications

Eaton's Universal phase selectable slide dimmer is a perfect solution, capable of dimming a broad variety of lighting loads. With the ability of selecting between forward and reverse phase cut dimming, these dimmers offer a truly universal load dimming solution. These Universal dimmers are dual voltage rated for 120/277V/AC, making them ideal for residential as well as commercial installations. They are designed for both single pole and 3-way applications and provide the installer the flexibility and convenience of having the right dimmer, every time!

Table 2. Specifications

Catalog No.	SUF7 series
Device Type	Universal phase selectable slide dimmer
Wiring Type	Wire leads
Testing & Code Compliance	<ul style="list-style-type: none"> cULus Listed to UL1472, file no. E47967 NOM Certified
Environmental Specifications	Flammability: Meets UL 94 requirements; V2 rated Temperature Rating: 0°C to 40°C (32°F to 104°F)
Electrical Specifications	Rating: 120V/AC 277V/AC at 60 Hz Light Intensity Control: Full-range, continuously variable dimming Dimming Performance: Square Law Dimming curve Solid State Dimming Radio Frequency Interference: Designed to reduce interference with radio, audio and video equipment Power-failure Memory: Light returns to same level prior to power interruption Lamp Ratings: LED/CFL/ELV; 450W, 120V/AC; 450W, 277V/AC HAL/INC/FLR; 650W, 120V/AC; 1000W, 277V/AC
Mechanical Specifications	Wiring Types: Single pole & 3-Way Voltage Ratings: Permanently marked on device

Table 3. Materials

Catalog No.	SUF7 series
Top Housing	Polycarbonate
Bottom Housing	Polycarbonate
Strap	Aluminum
Form Factor	Decorator
Finish	Gloss

Table 4. De-Rating Chart - 120V/AC applications only

Lamp Type	1-Gang	2-Gang	3-Gang +
LED/CFL/ELV	450W max.	450W max.	450W max.
INC/HAL/FLR	650W max.	550W max.	500W max.

No de-rating required for 277V/AC application

Table 5. Color Ordering Information

For ordering devices, include Catalog no. followed by the Color suffix: BK (Black), GY (Gray), LA (Light Almond), V (Ivory), W (White)

BK	GY	LA	V	W
(Black)	(Gray)	(Light Almond)	(Ivory)	(White)

Certifications & Compliances

Catalog No.	 
SUF7	• •

KEY:  cULus  NOM

Project Name:	Prepared By:
Project Number:	Date:
Catalog Number:	Type:

Product Dimensions

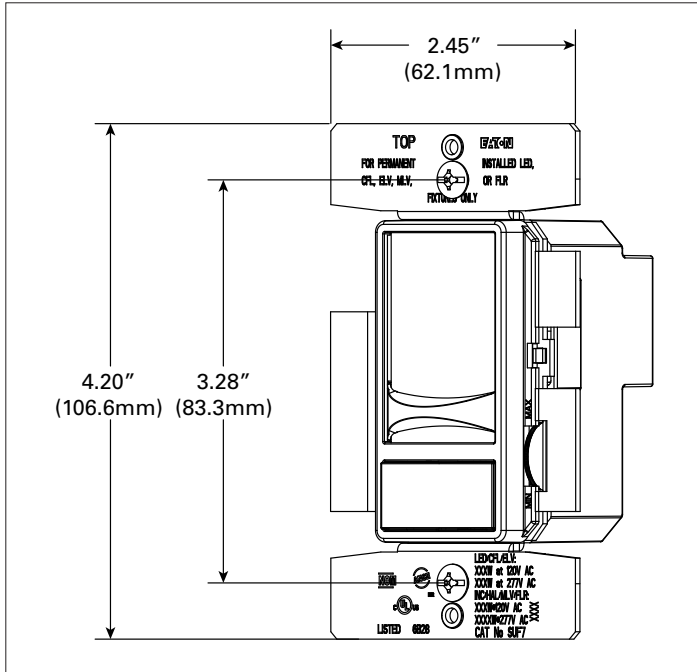
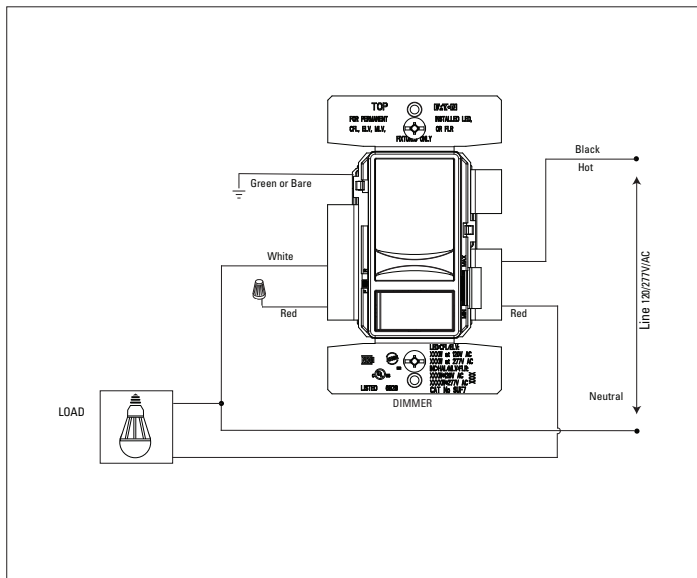


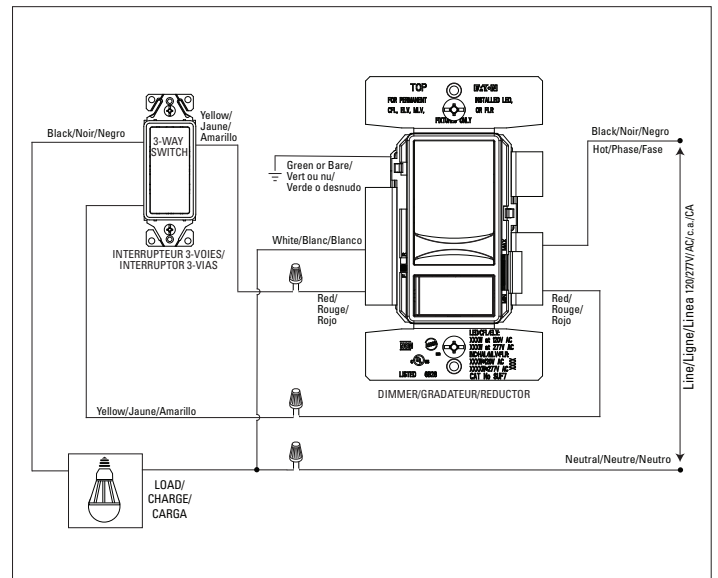
Figure 1. SUF7 Line Art with Dimensions

Wiring Diagrams

**Single-Pole Wiring Diagram
INC, HAL, LED/CFL, FLR, ELV**

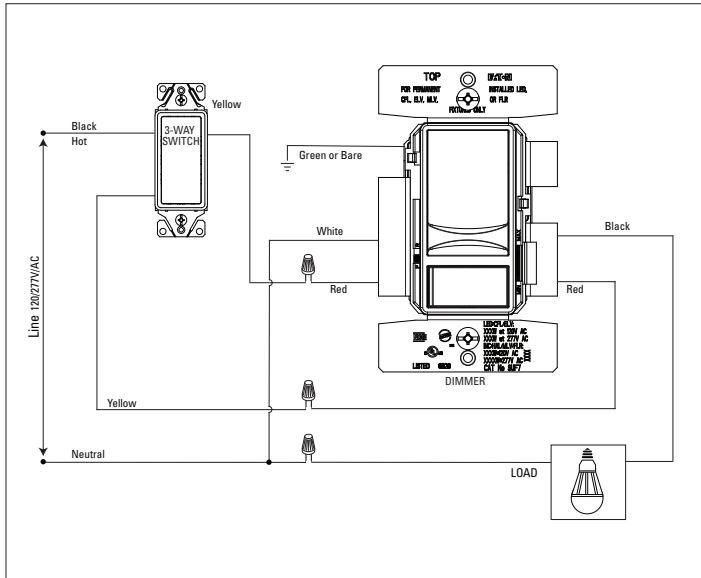


**3-Way Wiring Diagram
INC, HAL, LED/CFL, FLR, ELV**



Wiring Diagrams cont'd.

**3-Way Wiring Diagram (Alternate)
INC, HAL, LED/CFL, FLR, ELV**



Compliances, specifications and availability are subject to change without notice.

Electrical Sector
203 Cooper Circle
Peachtree City, GA 30269
United States
Eaton.com
Eaton.com/wiringdevices

Electrical Sector
Canada Operations
5925 McLaughlin Road
Mississauga, Ontario, L5R 1B8
Canada
EatonCanada.ca
Eaton.com/wiringdevices

Electrical Sector
Mexico Operations
Carr. Tlalnepantla -
Cuautitlan Km 17.8 s/n
Col. Villa Jardin esq.
Cerrada 8 de Mayo
Cuautitlan, Mexico CP 54800
Mexico
Eaton.mx
Eaton.com/wiringdevices