

# Universal full slide dimmer

Project Name:	Prepared By:
Project Number:	Date:
Catalog Number:	Type:

## Description

Single pole  
150W Dimmable LED/CFL  
600W INC/HAL



Updated technology



FSUL06-W



## Design features

- Neutral is not required for installation of device
- Adjustable low-level trim setting for optimal lamp compatibility
- Radio frequency interference filtering is standard on all models
- Precise color matching
- Compatible with any decorator wallplate or screwless decorator wallplate
- Compatible with most common dimmable lighting loads (forward phase-cut)
- Soft gradual ON feature
- CA Title 24 Compliant

**Table 1. Universal full slide dimmer**

Catalog No.	Description	Compatible Universal Types	Rating		
			Watt	V/AC	Color Suffix
□ FSUL06-__	Universal full slide dimmer, single pole, back and side wire	Dimmable LED/CFL	150	120	W, LA
		Dimmable INC/HAL	600	120	W, LA

Compliances, specifications and availability are subject to change without notice.



Powering Business Worldwide

Project Name:	Prepared By:
Project Number:	Date:
Catalog Number:	Type:

## Applications

The universal full slide dimmer provides full-range classic linear-slide dimming for 150W dimmable LED and CFL as well as 600W incandescent, halogen light sources. These units are ideal for residential and light commercial applications and are compatible with Eaton's Wiring Devices decorator style devices and wallplates. The device is designed for single pole (one location) applications and features a soft gradual ON setting that provides seamless dimming.

**Table 2. Specifications**

<b>Catalog No.</b>	<b>FSUL06 Series</b>
<b>Device Type</b>	<b>Universal full slide dimmer</b>
<b>Wiring Type</b>	Back & side wire
<b>Testing &amp; Code Compliance</b>	<ul style="list-style-type: none"> <li>• cULus Listed to UL1472, file no. E47967</li> <li>• NOM Certified</li> </ul>
<b>Environmental Specifications</b>	<b>Flammability:</b> Meets UL 94 requirements; V2 rated <b>Temperature Rating:</b> -20°C to 70°C (-4°F to 158°F)
<b>Electrical Specifications</b>	<b>Rating:</b> 120V/AC 60 Hz <b>Light Intensity Control:</b> Full-range, continuously variable dimming <b>Dimming Performance:</b> Square Law Dimming curve Solid State Dimming <b>Radio Frequency Interference:</b> Designed to reduce interference with radio, audio and video equipment <b>Power-failure Memory:</b> Light returns to same level prior to power interruption <b>Lamp Ratings:</b> 150W Dimmable LED/CFL 600W Incandescent, Halogen, Dimmable Fluorescent
<b>Mechanical Specifications</b>	<b>Wiring Types:</b> Single pole <b>Voltage Ratings:</b> Permanently marked on device

**Table 3. Materials**

<b>Catalog No.</b>	<b>FSUL06 Series</b>
<b>Top Housing</b>	Polycarbonate
<b>Bottom Housing</b>	Polycarbonate
<b>Strap</b>	Aluminum
<b>Form Factor</b>	Decorator
<b>Finish</b>	Gloss

**Table 4. De-Rating Chart - 600W Models**

Lamp Type	1-Gang	2-Gang	3-Gang +
LED/CFL	150W max.	150W max.	150W max.
INC, HAL	600W max.	600W max.	450W max.

**Table 5. Color Ordering Information**

For ordering devices, include Cat. No. followed by the color code:  
LA (Light Almond), W (White)

LA	W
(Light Almond)	(White)

## LED Lamp Compatibility

Refer to [www.Eaton.com/led-dimming](http://www.Eaton.com/led-dimming)

Project Name:	Prepared By:
Project Number:	Date:
Catalog Number:	Type:

**Product Dimensions**

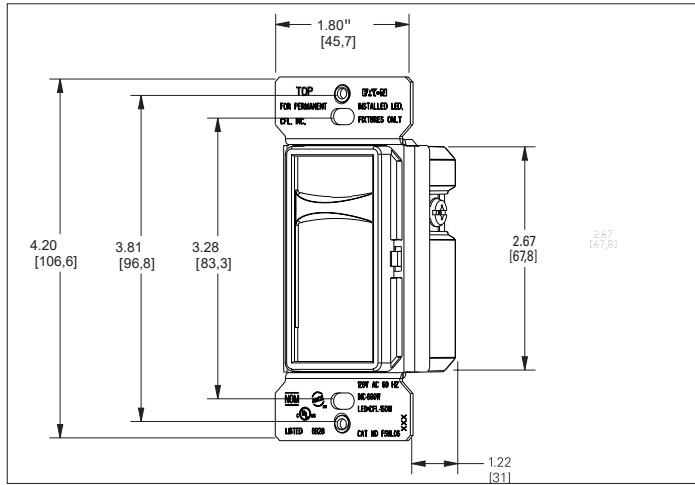
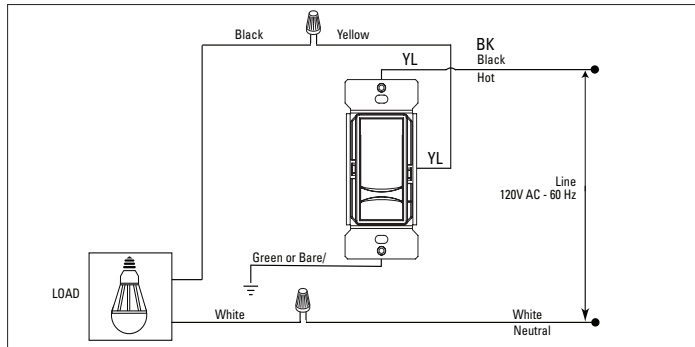


Figure 1. FSUL06 Line Art with Dimensions

**Wiring Diagrams**

**Single Pole Wiring Diagram  
INC, HAL, LED/CFL**



**Note:** Location of terminal screws are color-coded with “BK” or “YL”

**Certifications & Compliances**

**Catalog No.** FSUL06

**KEY:** cULus NOM CA Title 24 Compliant

Compliances, specifications and availability are subject to change without notice.

Electrical Sector  
203 Cooper Circle  
Peachtree City, GA 30269  
United States  
Eaton.com  
Eaton.com/wiringdevices

Electrical Sector  
Canada Operations  
5925 McLaughlin Road  
Mississauga, Ontario, L5R 1B8  
Canada  
EatonCanada.ca  
Eaton.com/wiringdevices

Electrical Sector  
Mexico Operations  
Carr. Tlalnepantla -  
Cuautitlan Km 17.8 s/n  
Col. Villa Jardin esq.  
Cerrada 8 de Mayo  
Cuautitlan, Mexico CP 54800  
Mexico  
Eaton.mx  
Eaton.com/wiringdevices



**Eaton**  
1000 Eaton Boulevard  
Cleveland, OH 44122  
United States  
Eaton.com

© 2021 Eaton  
All Rights Reserved  
Printed in USA  
Publication No. TD610131EN  
June 2021

Eaton is a registered trademark.  
All other trademarks are property  
of their respective owners.