

# Universal slide dimmer

|                 |              |
|-----------------|--------------|
| Project Name:   | Prepared By: |
| Project Number: | Date:        |
| Catalog Number: | Type:        |

## Description

Single pole & 3-Way  
 Dimmable **LED/CFL/FLR**; 450W, 120V/AC; 600W, 277V/AC  
**HAL/INC/MLV/ELV**; 720W, 120V/AC; 1000W, 277V/AC



SUT7

## Design features

- Dual rated for 120V/AC and 277V/AC. Suitable for commercial and residential applications
- Universal dimming of most common dimmable lighting loads (phase-cut)
- Preset feature allows user to return to previous light level when turning lights ON
- Integrated full-slide control for easy, precise operation
- Device can be wired into either 3-Way location (load side or line side)
- Neutral is not required for installation of device
- Adjustable low-level trim setting for increased lamp compatibility
- Radio frequency interference filtering is standard on all models
- Electrostatic discharge protection
- Precise color matching
- Compatible with any decorator wallplate or screwless decorator wallplate (wallplate not included)

**Table 1. Universal Slide Dimmer**

| Catalog No. | Description   | Compatible Lamp Types   | Rating |      | Color Suffix        |
|-------------|---|-------------------------|--------|------|---------------------|
|             |   |                         | Watt   | V/AC |                     |
| □ SUT7__    | Slide dimmer, universal<br>Single pole/3-Way preset | Dimmable<br>LED/CFL/FLR | 450    | 120  | BK, GY, LA,<br>V, W |
|             |   |                         | 600    | 277  | BK, GY, LA,<br>V, W |
|             |   |                         | 720    | 120  | BK, GY, LA,<br>V, W |
|             |   | INC, HAL,<br>MLV, ELV   | 1000   | 277  | BK, GY, LA,<br>V, W |

**Compliances, specifications and availability are subject to change without notice.**



*Powering Business Worldwide*

Effective November 2016

|                 |              |
|-----------------|--------------|
| Project Name:   | Prepared By: |
| Project Number: | Date:        |
| Catalog Number: | Type:        |

## Applications

The Universal Slide Dimmer provides a high wattage and dual-rated solution for commercial lighting control installations. With its updated industrial design, this dimmer provides a modern and consistent look to match most interior designs. The dimmers with full range linear slide dimming are rated for wattages up to 600W (@277V/AC) for dimmable LED/CFL and fluorescents as well as 1000W (@277V/AC) incandescents, halogen, magnetic low voltage and electronic low voltage. These dimmers are ideal for commercial as well as residential applications and are compatible with Eaton’s decorator style devices and wall plates. The preset ON/OFF switch automatically returns controlled light(s) to a preset level without disturbing the brightness level. The device is designed for both single-pole (one location) and 3-Way (multi-location) applications and features low-end trimming for increased lamp compatibility.

**Table 2. Specifications**

|                                      |   |
|--------------------------------------|---|
| <b>Catalog No.</b>                   | <b>SUT7</b>   |
| <b>Device Type</b>                   | <b>Universal slide dimmer</b>   |
| <b>Wiring Type</b>                   | Back & side wire  |
| <b>Testing &amp; Code Compliance</b> | <ul style="list-style-type: none"> <li>cULus Listed to UL1472, file no. E47967</li> <li>NOM Certified</li> </ul>  |
| <b>Environmental Specifications</b>  | <b>Flammability:</b> Meets UL 94 requirements; V2 rated<br><b>Temperature Rating:</b> -20°C to 70°C (-4°F to 158°F)   |
| <b>Electrical Specifications</b>     | <b>Rating:</b> 120V/AC 277V/AC at 60 Hz<br><b>Light Intensity Control:</b> Full-range, continuously variable dimming<br><b>Dimming Performance:</b> Square Law Dimming curve Solid State Dimming<br><b>Radio Frequency Interference:</b> Designed to reduce interference with radio, audio and video equipment<br><b>Lamp Ratings:</b> Dimmable LED/CFL/FLR; 450W, 120V/AC; 600W, 277V/AC<br>HAL/INC/MLV/ELV; 720W, 120V/AC; 1000W, 277V/AC |
| <b>Mechanical Specifications</b>     | <b>Wiring Types:</b> Single pole & 3-Way<br><b>Voltage Ratings:</b> Permanently marked on device  |

**Table 3. Materials**

|                       |               |
|-----------------------|---------------|
| <b>Catalog No.</b>    | <b>SUT7</b>   |
| <b>Top Housing</b>    | Polycarbonate |
| <b>Bottom Housing</b> | Polycarbonate |
| <b>Strap</b>          | Aluminum      |
| <b>Form Factor</b>    | Decorator     |
| <b>Finish</b>         | Gloss         |

**Table 4. De-Rating Chart - 120V/AC applications only**

| Lamp Type              | 1-Gang    | 2-Gang    | 3-Gang +  |
|------------------------|-----------|-----------|-----------|
| <b>LED/CFL/FLR</b>     | 450W max. | 450W max. | 450W max. |
| <b>INC/HAL/MLV/ELV</b> | 720W max. | 600W max. | 500W max. |

No de-rating required for 277V/AC application

**Table 5. Color Ordering Information**

For ordering devices, include Catalog no. followed by the Color suffix: BK (Black), GY (Gray), LA (Light Almond), V (Ivory), W (White)

|           |           |                |          |          |
|-----------|-----------|----------------|----------|----------|
| <b>BK</b> | <b>GY</b> | <b>LA</b>      | <b>V</b> | <b>W</b> |
| (Black)   | (Gray)    | (Light Almond) | (Ivory)  | (White)  |

## Certifications & Compliances

|                    |   |
|--------------------|---|
| <b>Catalog No.</b> |   |
| SUT7               | • •   |

**KEY:**  cULus  NOM

|                 |              |
|-----------------|--------------|
| Project Name:   | Prepared By: |
| Project Number: | Date:        |
| Catalog Number: | Type:        |

**Product Dimensions**

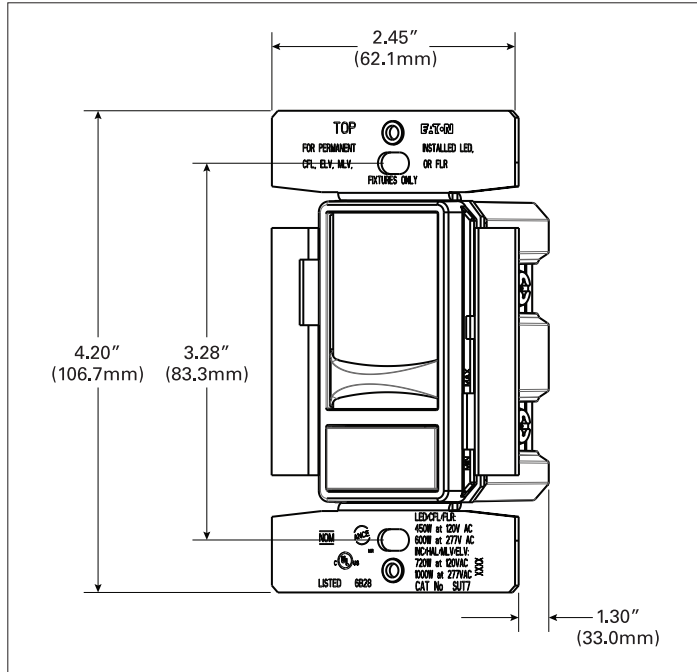
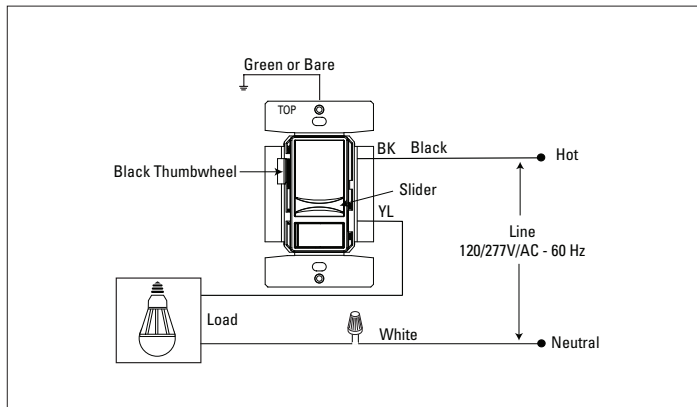


Figure 1. SUT7 Line Art with Dimensions

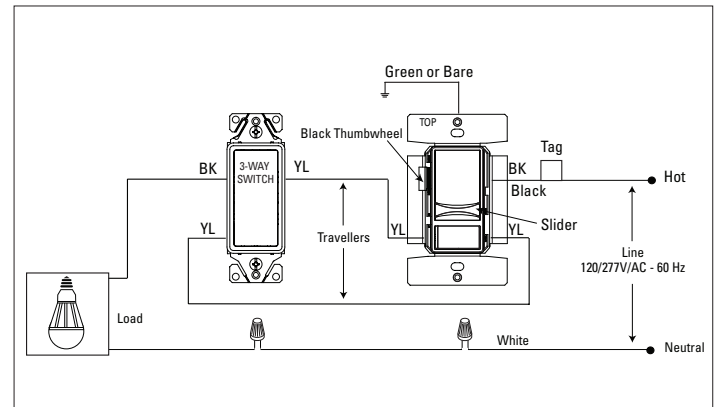
**Wiring Diagrams**

**Single-Pole Wiring Diagram  
INC, HAL, LED/CFL, FLR, MLV, ELV**



**Note:** Location of terminal screws are color-coded with "BK" or "YL"

**3-Way Wiring Diagram  
INC, HAL, LED/CFL, FLR, MLV, ELV**



**Note:** 3-way switch must be used at the other locations.

Electrical Sector  
203 Cooper Circle  
Peachtree City, GA 30269  
United States  
Eaton.com  
Eaton.com/wiringdevices

Electrical Sector  
Canada Operations  
5925 McLaughlin Road  
Mississauga, Ontario, L5R 1B8  
Canada  
EatonCanada.ca  
Eaton.com/wiringdevices

Electrical Sector  
Mexico Operations  
Carr. Tlalnepantla -  
Cuautitlan Km 17.8 s/n  
Col. Villa Jardin esq.  
Cerrada 8 de Mayo  
Cuautitlan, Mexico CP 54800  
Mexico  
Eaton.mx  
Eaton.com/wiringdevices