

Smart solutions for electrical distribution in residential and commercial applications



Powering Business Worldwide



Energizing a world that demands more.

We deliver:

- **Electrical solutions** that use less energy, improve power reliability and make the places we live and work safer and more comfortable
- **Hydraulic and electrical solutions** that enable machines to deliver more productivity without wasting power
- **Aerospace solutions** that make aircraft lighter, safer and less costly to operate, and help airports operate more efficiently
- **Vehicle drivetrain and powertrain solutions** that deliver more power to cars, trucks and buses, while reducing fuel consumption and emissions

Discover today's Eaton.

Powering business worldwide

As a global power management company, we help customers worldwide manage the power needed for buildings, aircraft, trucks, cars, machinery and businesses.

Eaton's innovative technologies help customers manage electrical, hydraulic and mechanical power more reliably, efficiently, safely and sustainably.

We provide integrated solutions that help make energy, in all its forms, more practical and accessible.

With 2015 sales of \$20.9 billion, Eaton has approximately 100,000 employees around the world and sells products in more than 175 countries.

Eaton.com



Powering Business Worldwide

Contents

| | | |
|----|-----------------------------|-----|
| 1 | Product overview | 5 |
| 2 | PREMERA white moulded | 27 |
| 3 | PREMERA mix | 39 |
| 4 | PREMERA proof | 53 |
| 5 | COPA clip-on plate | 55 |
| 6 | COPA fix | 67 |
| 7 | XTRA surface metalclad | 75 |
| 8 | CIRCA ceiling range | 81 |
| 9 | LSC plug-in lighting system | 87 |
| 10 | xComfort system overview | 91 |
| 11 | MEMERA consumer units | 101 |
| 12 | Technical data | 117 |
| | Index | 143 |



Eaton’s comprehensive range of wiring accessories and single phase distribution solutions have been developed to meet today’s challenging electrical applications in residential and light commercial projects and applications. Through a proven competency in electrical distribution, Eaton delivers an innovative and flexible approach to aid compliance with the regulatory requirements associated with modern buildings.

| | | |
|------------|--|-------|
| 1.1 | PREMERA WIRING ACCESSORIES | |
| | PREMERA white moulded | 6 |
| | PREMERA mix..... | 6–7 |
| | PREMERA proof | 9 |
| | COPA clip-on plate..... | 8 |
| | COPA fix | 9 |
| | XTRA surface metalclad | 9 |
| | Wall mounted range options..... | 10–13 |
| 1.2 | CIRCA CEILING RANGE | 14 |
| 1.3 | LSC PLUG-IN LIGHTING SYSTEM | 15 |
| 1.4 | MEMERA CONSUMER UNITS AND DEVICES | 16 |
| | Full metal consumer units | 17 |
| | Consumer unit solutions..... | 21 |
| | Switch and protection devices..... | 22 |
| | Control and switching devices..... | 23 |
| 1.5 | RF BUILDING AUTOMATION AND CONTROLS | 25 |

1.1

Product overview PREMERA wiring accessories

PREMERA white moulded range

PREMERA offers a new consistent range of white accessories combining good aesthetics and high quality material



High quality sturdy, thermoset material

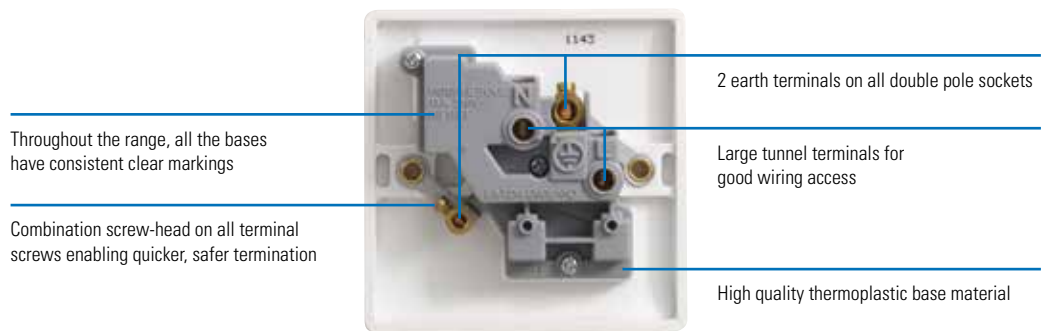
White or grey covers available enabling compliance to DDA (Disability Discrimination Act)/Part M requirements

Optional screw cap covers to add the finishing touches

New aesthetic design throughout the full range

Inherent protection against MRSA

9mm depth front plate provides adequate wiring space in the back box



Throughout the range, all the bases have consistent clear markings

2 earth terminals on all double pole sockets

Combination screw-head on all terminal screws enabling quicker, safer termination

Large tunnel terminals for good wiring access

High quality thermoplastic base material

PREMERA mix modular range



White or grey cover plate option to enable compliance with DDA/Part M requirements

Laser marking of legends for longevity and high quality lettering

Quick, easy front loading modules - simply push and 'click' in



Optional screw cap covers to add the finishing touches

Large stylish rockers for easy operation

Plate options from 1 gang to 24 gang, in either 'screw fixed' version or 'clip on' version

Broad rocker option to meet latest DDA/Building regulations





Totally modular system incorporating;

- Power switches, standard & broad rocker options
- Power sockets in various worldwide styles
- Power indicators, fuses units, cable outlets
- Dimmer modules
- Communication modules including RJ45 Cat 6, isolated co-axial/satellite outlets, standard telephone outlets, including RJ11
- xComfort radio frequency switch modules
- 6-24 gang mounting plates comes with all the frames/mounts/screws required – just order the modules you need
- 6-24 gang mounting plates have individual removable banks for ease of installation and future changes. Banks removed via quarter turn fasteners offering quick release/fitting



PREMERA mix combinations

Various socket options to offer a wide choice of worldwide applications;

- Standard 13A sockets BS1363
- Non standard 13A
- 5 and 15 Amp round pin
- US standard 15A 3 pin sockets
- European Schuko sockets
- Key switched socket with power indicator
- Unique key switch with integral neon indicator



COPA clip-on plate range

Eaton's COPA range is strengthened with the introduction of the PREMERA mix range.

- Includes new modular plate options up to 24 gang
- Plates available in decorative plastic finishes and high quality metal finishes
- Plates can be affixed by either clip-on or screw on option depending on the clients' requirements



The following key aspects need to be considered to comply with Part M – Building Regulations.

Eaton's clip-on plate accessory range provides a very easy way to meet the requirements under the Electrical Installations section for switches, outlets and controls.

Design considerations – Part M:

4.28 Controls that **contrast visually with their surroundings are more convenient for visually impaired people**, as are light switches that are activated by a large push pad.

Eaton's solutions:

A range of 8 standard colours/finishes will ensure a suitable contrast is maintained between wall and plate switch/socket.

It is recommended that a 30-point difference in the light reflective value (LRV) be achieved between the two surfaces. The LRV scale runs from 0, which is a perfectly absorbing surface that could be assumed to be totally black, up to 100, which is a perfectly reflective surface that could be considered to be the perfect white.

With COPA, the switch/socket plate colour can be left to the last minute due to its simple clip-on facility. This allows for late confirmation or unknown wall colour. It also avoids any damage to the front plate during wall preparation/painting.

- Choice of 8 contrasting colour/finish plates.
- Final colour of plate can be left to the last minute and clipped on once the wall surround colour is known.

Design considerations – Part M:

4.28 Controls that contrast visually with their surroundings are more convenient for visually impaired people, **as are light switches that are activated by a large push pad**.

Eaton's solutions:

A comprehensive range of broad rocker switches with contrasting coverplates is available including:

- 1 and 2 gang large rocker 2 way switches
- Intermediate switches
- Double pole switches
- Push switches

Light Reflective Value (LRV) plate guide

| Plate finish | Approx. LRV |
|---------------------------|-------------|
| BM BLACK MATT | 26 |
| SB SATIN BRONZE | 62 |
| SV SILVER METALLIC | 65 |
| SS STAINLESS STEEL | 70 |
| GL GOLD METALLIC | 77 |
| HP HIGHLY POLISHED | 82 |
| PB POLISHED BRASS | 83 |
| WH WHITE | 89 |

Design considerations – Part M:

4.29 It is also an advantage if individual switches on panels and on multiple socket outlets are well separated, or in the form of large touch plates, to avoid the inadvertent selection of an adjacent control by visually impaired people and individuals with limited dexterity.

Eaton's solutions:

Eaton offers a comprehensive range of sockets with outboard (separated) rockers. Coloured plates can be selected to provide suitable visual contrast.

In Summary:

Eaton's clip-on plate accessory range offers simple solutions;

- Broad rocker range throughout the range finishes.
- Outboard rockers on sockets.
- Contrasting clip-on plates for all products.

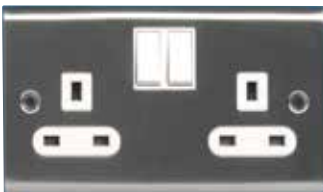
Easy installation – COPA (Clip-on Plate Accessory) range



- STEP 1**
Fit interior electrically safe and can be tested to IET Regulations at this stage.
- STEP 2**
Determine the colour of the wall then decorate.
- STEP 3**
Choose finish to meet 30 point LRV criteria.



COPA – clip-on plate version



COPA fix – fixed plate version

COPA fix range

The COPA style of plate is being extended to now offer an alternative to the 'Clip on' plate by offering the same plate profile with it's stylish good looks but with a fixed plate.

COPA fix:

- offers a solution in situations where it is more desirable to have screw fixed plates. It is appreciated not every application is suitable for clip-on plates and in situations such as prisons, schools, public places, it offers the consultant a choice dependant on the clients requirements
- will also benefit from the PREMERA mix range of modular components up to 24 gang size offering many modular solutions
- available in the most popular finish, Stainless Steel



XTRA surface metalclad range

- A subtle change has been made to the front plate style to bring the range more in line with the latest plate style offered in the new look MEM® series of wiring accessories
- Will also benefit from the PREMERA mix range of modular components up to 24 gang size offering many modular solutions



PREMERA proof

- Provides an extensive range of combinations by utilising the 1 and 2 gang IP66 enclosures making a wide variety of combinations
- A new range of weatherproof accessories offering protection up to IP66



Wall mounted range

| Description | PREMERA range | COPA c/w cover | COPA interior | COPA black interior | COPA decorative plates ¹⁾ | COPA metal plates ²⁾ | COPA fix stainless steel | XTRA surface metal |
|---|---------------|----------------|---------------|---------------------|--------------------------------------|---------------------------------|--------------------------|--------------------|
| 10A switches – 1 way | | | | | | | | |
| 10A 1G 1 way | P011 | C011WH | C011 | C011B | CP011 ¹⁾ | CM011 ²⁾ | – | – |
| 10A 2G 1 way | P012 | C012WH | C012 | C012B | CP012 ¹⁾ | CM012 ²⁾ | – | – |
| 10A 3G 1 way | P013 | C013WH | C013 | C013B | CP013 ¹⁾ | CM013 ²⁾ | – | – |
| 10A 4G 1 way | P014 | C014WH | C014 | C014B | CP014 ¹⁾ | CM014 ²⁾ | – | – |
| 10A 1G 1 way bell push | P015 | C015WH | C015 | C015B | CP015 ¹⁾ | CM015 ²⁾ | B015SS | – |
| 10A 1G 1 way light symbol push | P015L | C015LWH | – | – | CP015L ¹⁾ | CM015L ²⁾ | – | – |
| 10A 1G 1 way push | P015P | – | – | – | – | – | – | – |
| 10A 1G intermediate | P017 | C017WH | C017 | C017B | CP011 ¹⁾ | CM011 ²⁾ | B017SS | X017MG |
| 10A switches – 2 way | | | | | | | | |
| 10A 1G 2 way | P021 | C021WH | C021 | C021B | CP011 ¹⁾ | CM011 ²⁾ | B021SS | X021MG |
| 10A 1G 2 way push | P021P | – | – | – | – | – | – | – |
| 10A 2G 2 way | P022 | C022WH | C022 | C022B | CP012 ¹⁾ | CM012 ²⁾ | B022SS | X022MG |
| 10A 3G 2 way | P023 | C023WH | C023 | C023B | CP013 ¹⁾ | CM013 ²⁾ | B023SS | X023MG |
| 10A 4G 2 way | P024 | C024WH | C024 | C024B | CP014 ¹⁾ | CM014 ²⁾ | – | – |
| 10A 6G 2 way | P026 | C026WH | C026 | C026B | CP026 ¹⁾ | CM026 ²⁾ | – | – |
| 10A fan isolator | | | | | | | | |
| 10A 3-pole fan isolator + fan symbol | P048 | C048WH | C048 | C048B | CP048 ¹⁾ | CM048 ²⁾ | B048SS | X048MG |
| 10A 3-pole isolator | P049 | C049WH | – | – | CP049 ¹⁾ | CM049 ²⁾ | – | X049MG |
| 10A broad rocker switches | | | | | | | | |
| 10A 2G 2 way half broad | P032 | C032WH | C032 | – | CP013 ¹⁾ | CM013 ²⁾ | – | – |
| 10A 1G 2 way broad | P041 | C041WH | C041 | C041B | CP013 ¹⁾ | CM013 ²⁾ | – | X041MG |
| 10A 1G 2 way broad push | P041P | – | – | – | – | – | – | – |
| 10A 2G 2 way broad | P042 | – | – | – | – | – | – | – |
| 10A 1G 1 way broad bell push | P045 | C045WH | – | C045B | CP045 ¹⁾ | CM045 ²⁾ | – | – |
| 10A 1G 1 way broad push | P045P | – | – | – | – | – | – | – |
| 10A 1G intermediate broad | P047 | C047WH | – | C047B | CP013 ¹⁾ | CM013 ²⁾ | – | – |
| 16A hotel switch | | | | | | | | |
| 16A hotel switch | P450 | – | – | – | – | – | – | – |
| Dimmers | | | | | | | | |
| 250W 1G 2 way push universal | P9131 | C9131WH | – | – | CP9131 ¹⁾ | CM9131 ²⁾ | – | – |
| 250W 2G 2 way push universal | P9132 | C9132WH | – | – | CP9132 ¹⁾ | CM9132 ²⁾ | – | – |
| 400W 1G 2 way push universal | P9141 | C9141WH | – | – | CP9131 ¹⁾ | CM9131 ²⁾ | – | – |
| 400W 2G 2 way push universal | P9142 | – | – | – | – | – | – | – |
| 1000W 1G 2 way push universal (2G plate size) | P9111 | C9111WH | – | – | CP9111 ¹⁾ | CM9111 ²⁾ | – | – |
| 1–10V 1G 1 way analogue | P9101 | – | – | – | – | – | – | – |
| 500W 1G 1 way universal non-european | P9551 | C9551WH | C9551 | – | CP9131 ¹⁾ | CM9131 ²⁾ | – | – |
| 500W 2G 1 way universal non-european | P9552 | C9552WH | C9552 | – | CP9132 ¹⁾ | CM9132 ²⁾ | – | – |
| 1000W 1G 1 way universal non-european | P9511 | C9511WH | C9511 | – | CP9131 ¹⁾ | CM9131 ²⁾ | – | – |
| 60–500W fan controller non-european | P9751 | C9751WH | – | – | CP9131 ¹⁾ | CM9131 ²⁾ | – | – |
| 13A switched sockets – single pole | | | | | | | | |
| 13A 1G | P611 | – | – | – | – | – | – | – |
| 13A 2G | P612 | – | – | – | – | – | – | – |
| 13A switched sockets – double pole | | | | | | | | |
| 13A 1G DP 2E terminals | P621 | C621WH | C621 | C621B | CP621 ¹⁾ | CM621 ²⁾ | B621SS | X621MG |
| 13A 1G DP 2E terminals – grey cover | P621GY | – | C621 | – | CP621GY | – | – | – |
| 13A 1G DP 2E terminals + neon | P621N | C621NWH | C621N | C621NB | CP621N ¹⁾ | CM621N ²⁾ | B621NSS | X621NMG |
| 13A 1G DP 2E terminals – red cover | P621RED | – | – | – | – | – | – | – |
| 13A 1G DP 2E terminals + red rockers | P621RR | – | – | – | – | – | B621RRSS | X621RRMG |
| 13A 2G DP 2E terminals | P622 | C622WH | C622 | C622B | CP622 ¹⁾ | CM622 ²⁾ | B622SS | X622MG |
| 13A 2G DP 2E terminals + neon | P622N | C622NWH | C622N | C622NB | CP622N ¹⁾ | CM622N ²⁾ | B622NSS | X622NMG |
| 13A 2G DP 2E terminals + red rockers | P622RR | – | – | – | – | – | B622RRSS | X622RRMG |



Wall mounted range (contd)

| Description | PREMERA range | COPA c/w cover | COPA interior | COPA black interior | COPA decorative plates ¹⁾ | COPA metal plates ²⁾ | COPA fix stainless steel | XTRA surface metal |
|---|---------------|----------------|---------------|---------------------|--------------------------------------|---------------------------------|--------------------------|--------------------|
| 13A switched sockets – double pole, outboard rockers | | | | | | | | |
| 13A 2G DP 2E terminals | P632 | C632WH | C632 | C632B | CP632 ¹⁾ | CM632 ²⁾ | B632SS | X632MG |
| 13A 2G DP 2E terminals – grey cover | P632GY | – | C632 | – | CP632GY | – | – | – |
| 13A 2G DP 2E terminals – red cover | P632RED | – | – | – | – | – | – | – |
| 13A 2G DP 2E terminals – red rockers | P632RR | – | – | – | – | – | – | X632RRMG |
| 13A 2G DP 2E terminals + neon | P632N | – | – | – | – | – | – | – |
| 13A switched sockets – double pole, non-standard | | | | | | | | |
| 13A 1G DP 2E terminals | P651 | C651WH | – | C651B | CP621 ¹⁾ | CM621 ²⁾ | B651SS | X651MG |
| 13A 2G DP 2E terminals – outboard rockers | P652 | C652WH | – | – | CP632 ¹⁾ | CM632 ²⁾ | B652SS | X652MG |
| 13A 2G DP 2E terminals – outboard red rockers | P652RR | – | – | – | – | – | – | – |
| 13A switched sockets – double pole, outboard rockers, clean earth | | | | | | | | |
| 13A 2G with 2E terminals | P672 | – | – | – | – | – | – | – |
| 13A switched socket - outboard rockers with USB charger outlets | | | | | | | | |
| 13A 2G with 2 x USB charger outlets | P692 | C692WH | C692B | CP692 ¹⁾ | CM692 ²⁾ | – | – | – |
| 13A RCD socket | | | | | | | | |
| 13A 2G RCD 30mA – passive | P686 | – | – | – | – | – | – | X686MG |
| 13A unswitched sockets | | | | | | | | |
| 13A 1G | P111 | C111WHA | C111A | C111BA | CP111 ¹⁾ | CM111 ²⁾ | B111SS | X111MG |
| 13A 2G | P112 | C112WH | – | C112B | CP112 ¹⁾ | CM112 ²⁾ | B112SS | X112MG |
| 15A switched sockets | | | | | | | | |
| 15A 1G | P415 | C415WH | – | C415B | CP415 ¹⁾ | CM415 ²⁾ | – | X415MG |
| Shaver supply unit | | | | | | | | |
| Dual voltage 230V/115V AC | P370 | C370WH | C370 | C370B | CP370 ¹⁾ | CM370 ²⁾ | B370SS | – |
| 13A connection units – double pole switched with optional cable outlets | | | | | | | | |
| 13A connection unit | P221 | C221WH | C221 | C221B | CP221 ¹⁾ | CM221 ²⁾ | B221SS | X221MG |
| 13A connection unit – grey cover | P221GY | – | C221 | – | CP221 ¹⁾ | – | – | – |
| 13A connection unit ‘boiler’ | P221BO | – | – | – | – | – | – | – |
| 13A connection unit ‘central heating’ | P221CH | – | – | – | – | – | – | – |
| 13A connection unit ‘cooker hood’ | P221CKH | – | – | – | – | – | – | – |
| 13A connection unit ‘dishwasher’ | P221DW | – | – | – | – | – | – | – |
| 13A connection unit ‘extract fan’ | P221EF | – | – | – | – | – | – | – |
| 13A connection unit ‘refrigerator’ | P221R | – | – | – | CP221RWH | – | – | – |
| 13A connection unit + red rocker | P221RR | – | – | – | – | – | – | X221RRMG |
| 13A connection unit ‘washing machine’ | P221WM | – | – | – | CP221WMWH | – | – | – |
| 13A connection unit fitted with 3A fuse | P223 | – | – | – | – | – | – | – |
| 13A connection units – double pole switched + neon with optional cable outlets | | | | | | | | |
| 13A connection unit | P221N | C221NWH | C221N | C221NB | CP221N ¹⁾ | CM221N ²⁾ | B221NSS | X221NMG |
| 13A connection unit – grey cover | P221NGY | – | C221N | – | CP221NGY | – | – | – |
| 13A connection unit ‘refrigerator’ | P221NR | – | – | – | CP221NRWH | – | – | – |
| 13A connection unit + red rocker | P221NRR | – | – | – | – | – | – | X221NRRMG |
| 3A connection unit ‘water heater’ | P221NWH | – | – | – | – | – | – | – |
| 13A connection unit ‘washing machine’ | P221NWM | – | – | – | CP221NWMWH | – | – | – |



Wall mounted range (contd)

| Description | PREMERA range | COPA c/w cover | COPA interior | COPA black interior | COPA decorative plates ¹⁾ | COPA metal plates ²⁾ | COPA fix stainless steel | XTRA surface metal |
|---|---------------|----------------|---------------|---------------------|--------------------------------------|---------------------------------|--------------------------|--------------------|
| 13A connection units – unswitched with optional cable outlets | | | | | | | | |
| 13A connection unit | P220 | C220WH | C220 | C220B | CP220 ¹⁾ | CM220 ²⁾ | B220SS | X220MG |
| 13A connection unit + red fuse drawer | P220RR | – | – | – | – | – | – | X220RRMG |
| 13A connection unit fitted with 3A fuse | P224 | – | – | – | – | – | – | – |
| 13A connection units – unswitched + neon with optional cable outlets | | | | | | | | |
| 13A connection unit | P220N | C220NWH | C220N | C220NB | CP220N ¹⁾ | CM220N ²⁾ | B220NSS | X220NMG |
| 13A connection unit fitted with 3A fuse | P223N | – | – | – | – | – | – | – |
| 20A double pole switches with optional cable outlet | | | | | | | | |
| 20A switch | P401 | C401WH | C401 | C401B | CP401 ¹⁾ | CM401 ²⁾ | B401SS | X401MG |
| 20A switch marked 'water heater' | P403 | C403WH | – | – | – | CM403 ²⁾ | – | – |
| 20A double pole switches + neon with optional cable outlets | | | | | | | | |
| 20A switch | P401N | C401NWH | C401N | C401NB | CP401N ¹⁾ | CM401N ²⁾ | B401NSS | X401NMG |
| 20A switch marked 'water heater' | P403N | C403NWH | – | – | CP403N ¹⁾ | CM403N ²⁾ | B403NSS | – |
| 20A switch marked 'air conditioner' | P404N | – | – | – | – | – | – | – |
| 45A double pole switches – cooker control units | | | | | | | | |
| 45A DP cooker control unit | P425 | C425WH | C425 | C425B | CP425 ¹⁾ | CM425 ²⁾ | – | – |
| 45A DP cooker control unit + neon | P425N | C425NWH | C425N | C425NB | CP425N ¹⁾ | CM425N ²⁾ | B425NSS | – |
| 50A double pole switches – 2 gang plate size | | | | | | | | |
| 50A DP switch | P421 | – | – | – | – | – | – | X421MG |
| 50A DP switch + neon | P421N | C421NWH | C421N | C421NB | CP421N ¹⁾ | CM421N ²⁾ | B421NSS | X421NMG |
| 50A DP switch marked 'cooker' | P423 | – | – | – | – | – | – | – |
| 50A DP switch + neon marked 'cooker' | P423N | – | – | – | CP423N ¹⁾ | CM423N ²⁾ | – | – |
| 50A DP switch + neon marked 'air conditioner' | P424N | – | – | – | CP424N ¹⁾ | CM424N ²⁾ | – | – |
| 50A double pole switches – 1 gang plate size | | | | | | | | |
| 50A DP switch + neon | P422N | C422NWH | C422N | C422NB | CP422N ¹⁾ | CM422N ²⁾ | B422NSS | – |
| 50A DP switch + neon – grey cover | P422NGY | – | C422N | – | CP422NGY | – | – | – |
| 50A DP switch + neon marked 'cooker' | P426N | C426NWH | – | – | – | – | B426NSS | – |
| 50A DP switch + neon marked 'air conditioner' | P427N | – | – | – | – | – | – | – |
| Cable/cooker outlet/cable outlet adaptor plate | | | | | | | | |
| 20A flex outlet plate | P210 | – | – | – | – | – | – | – |
| Cable outlet adaptor plate for 20A switch/3A fused connection unit | P212 | C212 | – | – | – | – | – | – |
| 45A DP cable outlet with terminal block | P345 | – | – | – | – | – | – | – |
| Phone outlets | | | | | | | | |
| 1G telephone outlet master | P360 | C360WH | C360 | C360B | CP360 ¹⁾ | CM360 ²⁾ | – | X360MG |
| 1G telephone outlet secondary | P361 | C361WH | C361 | C361B | CP360 ¹⁾ | CM360 ²⁾ | – | X361MG |
| 1G american telephone outlet RJ11 | P362 | – | C362 | C362B | CP360 ¹⁾ | CM360 ²⁾ | – | – |
| Data outlets | | | | | | | | |
| 1G RJ45 CAT 6 outlet interior | – | C363WH | C363 | C363B | CP360 ¹⁾ | CM360 ²⁾ | – | – |
| Communication outlets | | | | | | | | |
| 1G TV co-axial | P351 | C351WH | C351 | C351B | CP351 ¹⁾ | CM351 ²⁾ | B351SS | – |
| 1G TV co-axial dual clamp | P351D | – | – | – | – | – | – | – |
| 2G TV co-axial outlet | P352 | C352WH | – | – | CP352 ¹⁾ | CM352 ²⁾ | – | – |
| 1G TV/FM isolated co-axial | P353 | C353WH | – | – | CP351 ¹⁾ | CM351 ²⁾ | – | – |
| 2G TV/FM diplexer co-axial | P354 | C354WH | C354 | – | CP352 ¹⁾ | CM352 ²⁾ | – | – |
| 1G satellite | P355 | C355WH | C355 | C355B | CP351 ¹⁾ | CM351 ²⁾ | – | – |
| 2G TV/satellite | P356 | C356WH | – | C356B | CP352 ¹⁾ | CM352 ²⁾ | – | – |
| 2G TV/radio | P357 | – | – | – | – | – | – | – |
| 1G TV/radio/satellite return | – | C359WH | – | – | CP359 ¹⁾ | CM359 ²⁾ | – | – |
| Blank plates | | | | | | | | |
| 1G blank plate | P391 | C391WH | C391 | C391 | CP391 ¹⁾ | CM391 ²⁾ | B391SS | X391MG |
| 2G blank plate | P392 | C392WH | C392 | C392 | CP392 ¹⁾ | CM392 ²⁾ | B392SS | X392MG |

Wall mounted range (contd)



| Description | PREMERA range | COPA c/w cover | COPA interior | COPA black interior | COPA decorative plates ¹⁾ | COPA metal plates ²⁾ | COPA fix stainless steel | XTRA surface metal |
|---|---------------|----------------|---------------|---------------------|--------------------------------------|---------------------------------|--------------------------|--------------------|
| Spare screw caps | | | | | | | | |
| Spare screw caps – PREMERA range | P999 | – | – | – | – | – | – | – |
| PREMERA mix module cover plates | | | | | | | | |
| 1G module plate moulded | P901 | C901WH | C901 | C901B | CP901¹⁾ | CM901²⁾ | B901SS | X901MG |
| 2G module plate moulded | P902 | C902WH | C902 | C902B | CP902¹⁾ | CM902²⁾ | B902SS | X902MG |
| 3G module plate moulded | P903 | C903WH | C903 | C903B | CP903¹⁾ | CM903²⁾ | B903SS | BX903MG |
| 4G module plate moulded | P904 | C904WH | C904 | C904B | CP904¹⁾ | CM904²⁾ | B904SS | X904MG |
| 6G module plate assembly moulded | P906 | – | C906 | C906B | CP906¹⁾ | CM906²⁾ | B906SS | X906MG |
| 8G module plate assembly moulded | P908 | – | C908 | C908B | CP908¹⁾ | CM908²⁾ | B908SS | X908MG |
| 12G module plate assembly moulded | P912 | – | C912 | C912B | CP912¹⁾ | CM912²⁾ | B912SS | X912MG |
| 18G module plate assembly | – | – | C918 | C918B | CP918¹⁾ | CM918²⁾ | B918SS | X918MG |
| 24G module plate assembly | – | – | C924 | C924B | CP924¹⁾ | CM924²⁾ | B924SS | X924MG |
| 1G module plate moulded grey cover | P901GY | – | C901 | – | CP901GY | – | – | – |
| 2G module plate moulded grey cover | P902GY | – | C902 | – | CP902GY | – | – | – |
| 3G module plate moulded grey cover | P903GY | – | C903 | – | CP903GY | – | – | – |
| 4G module plate moulded grey cover | P904GY | – | C904 | – | CP904GY | – | – | – |
| 6G module plate assembly moulded grey cover | P906GY | – | C906 | – | CP906GY | – | – | – |
| 8G module plate assembly moulded grey cover | P908GY | – | C908 | – | CP908GY | – | – | – |

¹⁾Plastic covers available in the following finishes

| Finish | add suffix to end of part number | Example of product code |
|-----------------|----------------------------------|-------------------------|
| White | WH | CP904WH |
| Metallic silver | SV | CP904SV |
| Gold metallic | GL | CP904GL |
| Black matt | BM | CP904BM |

²⁾Metal plates available in the following finishes

| Finish | add suffix to end of part number | Example of product code |
|-----------------|----------------------------------|-------------------------|
| Stainless steel | SS | CM904SS |
| Highly polished | HP | CM904HP |
| Satin bronze | SB | CM904SB |
| Polished brass | PB | CM904PB |



CIRCA ceiling range

Lamp activated products offer a comprehensive range for applications such as schools, nurseries, children's bedrooms and public buildings where an extra degree of protection may be required.

Technical characteristics:

- T2 rated
- Full range of lampholders and battenholders
- Each item incorporates DP switching mechanism
- No live parts accessible when lamp is removed
- Tool required to access terminals



BC3 Low Energy CFL (compact fluorescent lamp) range is a dedicated lampholder range for use with low energy lamps.

This range covers the most commonly used items within the home.

Using CFLs means that the benefits of energy efficient lighting are available in the home. They are appropriate to areas where lights are left on for long periods of time such as hallways, staircases, entrances, kitchens, bedrooms and bathrooms.

The most versatile option is to use a pendant or battenholder, a direct substitute for a normal BC lampholder. There is no extra installation time and is safe and easy to do.

Why use the BC3 range?

- The range will accept standard UK size lampshades and require no adjustment.
- The house owner is not restricted to the wattage of lamp by the lampholder. The same BC3 lampholder will accept a range of wattages to suit the customers needs.
- BC3 offers a cost effective solution to the developer and contractor.
- The range of lampholders offered meets all the normal requirements for housing - pendant sets, battenholders and angled battenholders.
- Reduced wattage and heat generated by CFL means a wider choice of decorative lampshades for the home.
- Lamps are CE marked and meet latest standards – IEC 60969 and IEC 60901.
- Dedicated 3 pin 'J' slot lampholders and 3 pin BC lamp bases.



LSC plug-in lighting system

The BS 7001 LSC (Luminaire Supporting Coupler) system is recognised as the industry standard interface, offering complete changeability with other manufacturers' products. To meet the increasing industry demand for LSF cable, Eaton now offers both 3 and 4 pin versions with low smoke and fume cable.

Both versions provide considerable benefits for the specifier, contractor and end user. Litelink represents a significant advance in the safety and ease of installation of lighting points.

- A range for all Commercial, Industrial and Domestic projects
- Designed for ease of installation
- Cable available in 1, 2 and 3m lengths with HR (Heat Resistant) and LSF (Low Smoke and Fume) options
- Pre-flexed 3 and 4 pin products with either 0.75mm² or 1.00mm² cable
- High quality, reliable, safe range of products



3 pin system

This version has a wide range of applications in many commercial and industrial environments. Its technical and design features are supplemented with a full range of plug, outlets, assemblies, pendants and mounting boxes. In use, it provides flexibility for the specifier, easy installation for the contractor and convenience for the end users.

- 3 pin plugs can be used safely in 4 pin outlets
- LSC pre-wired ceiling assembly with 2 or 3m of cable, ideal for suspended ceiling lighting
- Spacious easy wire plug with quick cover release screws
- Bases will take up to 2 x 4.00mm² cables



4 pin system

This version has been specifically designed for applications where an extra live conductor is required i.e. emergency lighting. It has all the benefits of the 3 pin system, but the auxiliary live conductor gives greater flexibility in switching capabilities. It can also be used as a time delay trigger mechanism and offers greater control over multi-lamp luminaires.

- Red plug top and cover ensures easy identification of 4 pin circuit
- The first 4 pin system to comply with BS 7001
- Large outlet terminals will take up to 2 x 4.00mm² cable
- Terminal access designed to aid cable installation on outlet and plug



LDU Multi-outlet Box

The LDU Multi-outlet boxes utilise the LSC 'plug-in' lighting interface allowing luminaires to be plugged in, providing safety without isolation of the circuit. The LDU (Lighting Distribution Unit) incorporates LSC outlets which accept both Eaton's 3 and 4 pin plugs.

The 4 pin plug uses the fourth auxiliary socket contact for emergency lighting requirements.

- 6, 8 and 10 outlet units available
- Will accommodate 3 or 4 pin applications
- Separate back box to enable first fix with simple plug connectors for front cover
- Complies with the recognised industry interface BS 7001
- Extensive range of pre-wired plugs available in both HR (Heat Resistant) and LSF (Low Smoke and Fume) cable
- Mounting options – wall, ceiling, trunking or suspension
- Makes life easy – no need for on-site wiring of individual fittings
- Steel box for harsh environments
- Interchangeable front covers (6, 8 and 10) to enable, if required, expansion at a later date



Memera Full Metal Consumer Units

The new range of full metal consumer units provide a suite of products to meet the requirements of BS7671:2008 17th Edition IET wiring regulations amendment 3:2015.

Regulation 421.1.201 has been introduced to contain a fire should one develop within a consumer unit, the fire igniting primarily as a result of poorly installed connections or faulty installed components. It requires that within domestic (household) premises, consumer units and similar switchgear assemblies shall comply with BS EN 61439-3 and must have their enclosure manufactured from non-combustible material. Otherwise, it should be enclosed within a cabinet or enclosure constructed of non-combustible material.

This regulation effectively requires the use of a full metal consumer unit with the complete enclosure, i.e. the base, cover and door made from steel and will ultimately affect all new and rewired installations in homes referred to as 'domestic (household) premises' which will include integral / attached garages and outbuildings in close proximity.

Amendment 3 published in January 2015 became effective on new and rewired installations designed after 30th June 2015, however clause 421.1.201 had the later implementation date of 1st January 2016.

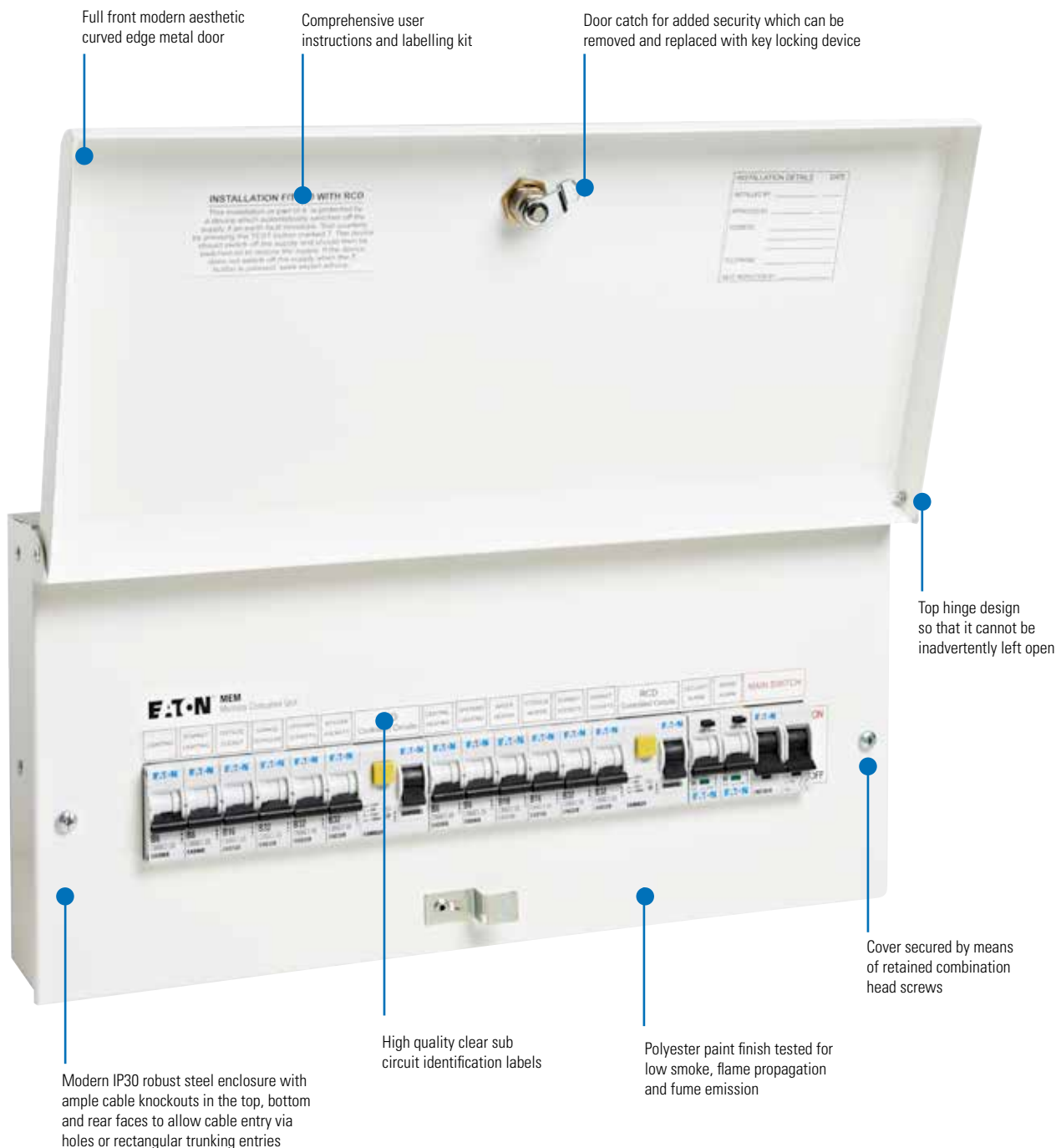
New Full Metal Consumer Unit features

- Full compliance with BS EN 61439-3.
- Full metal enclosure to meet requirements of BS7671 Amendment 3 regulation 421.1.201.
- Sturdy steel enclosure with ample cable entry knockouts to accommodate cable entry from top, bottom or rear face of the enclosure.
- Multiple large apertures in rear face of enclosure to allow flexible cable entry from the rear.
- Dual use cable entry on top and bottom surfaces to accommodate entry via both round and rectangular knockouts.
- "Snap - able" busbars enabling easy on-site configuration.
- Dual RCCB units come with three Neutral bars as standard for High Integrity configuration.
- Comprehensive label kit to complete the installation.
- Polyester powder coat paint finish which complies with industry standards for low smoke density, flame propagation and toxic fume emission. RAL 9010 (Pure white).
- Flush mounting and twin rail variants will also be available up to 38 outgoing ways.

Factory Built Assemblies (FBA) features

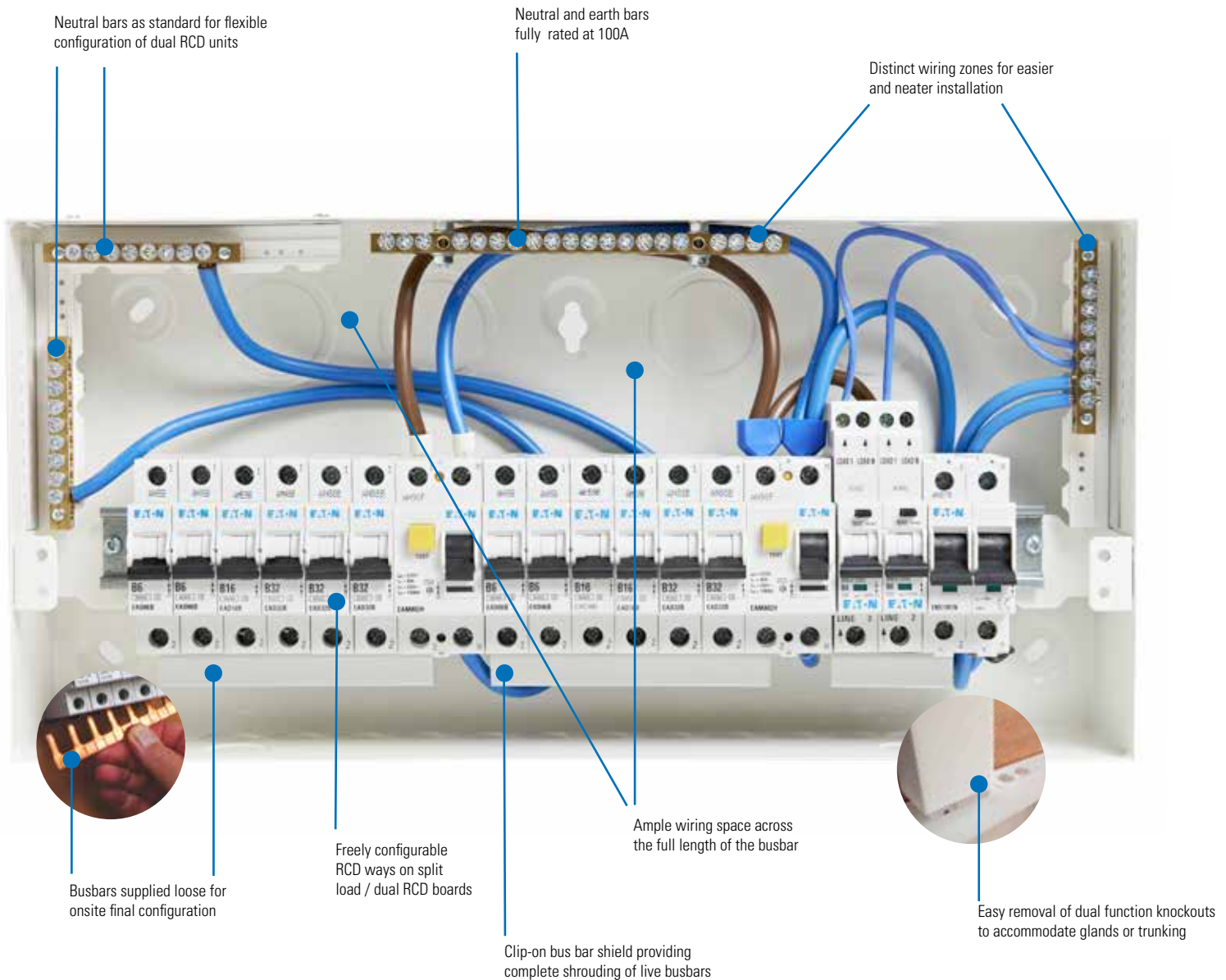
- Boards can be pre-configured in the factory with outgoing protective devices to customer requirements.
- Factory fitted devices can include command and control devices such as transformers, timers, contactors and relays as well as kWh meters complete with internal wiring as required.

Memera full metal consumer unit – External features and benefits



- The new full metal consumer unit range with all steel enclosure, including the base, front cover and door assembly, meets the requirements of BS 7671:2008 Amendment 3:2015.
- Modern stylish appearance fully assembled with ample knockouts in steel enclosure to suit all applications. The units are delivered factory assembled and fully equipped with all main controlling devices and interconnections. All that is required is to remove and install the busbar which is secured in the rear of the unit and fit the outgoing devices.
- The new range of units are ideal for both domestic and light commercial applications where a more robust metal enclosure is needed.
- The units are available with single or multiple incoming device options as well as the various dual RCD combinations widely used to enable compliance with the 17th Edition wiring regulations.
- Manufactured to BSEN 61439-3.
- Degree of protection IP 30.

Memera full metal consumer unit – Internal features and benefits



- The Memera consumer units use MCBs and RCBOs for final sub circuit protection and can also accommodate a wide range of command and control devices such as timers, contactors and relays.
- The split load and multiple RCD units all feature a variable split design with busbars that can be simply split on site to enable the exact configuration to be achieved.
- Multiple knockouts on top and bottom faces of the enclosure in addition to the rear provide most flexible cable entry.
- Top and bottom face knockouts accommodate 75 x 50mm trunking as well as 20mm glands / grommets
- Dual RCD units incorporating an isolator main switch and providing grouped 30mA RCD protection in two zones, can also be configured with some high integrity ways fed directly off the isolator. Ideal for protecting selected circuits with independent RCBOs.
- Full instructions and a comprehensive labelling kit enable the installation to be completed professionally with all the appropriate internal warning and circuit identification labels.

17th Edition regulations and consumer units

The 17th Edition of the Wiring Regulations BS7671 has introduced a number of significant changes which have impacted significantly on design and installation of consumer units. When it was first published in 2008 the most significant change introduced the much wider use of RCDs within the electrical installation, and the 3rd amendment published in 2015 now introduces a requirement for a consumer unit to have or be enclosed within a non-combustible enclosure when used in domestic (household) premises. See **Regulation 421.1.201** below.

Regulation 314.1 & 2

Requires that every installation shall be divided into circuits as necessary to avoid danger and minimise inconvenience, in the event of a fault. Also reducing the possibility of unwanted RCD tripping, due to excessive protective conductor currents but not due to an Earth fault. Separate circuits may be required for parts of the installation, which need to be separately controlled in such a way that they are not affected by the failure of other circuits. The appropriate subdivision should take account of any danger arising from the failure of a single circuit e.g. an RCD trip on a socket outlet causing the unwanted failure of a lighting circuit and its associated hazards.

Regulation 411.3.3

States that additional protection by means of a 30mA RCD is to be provided for all socket outlets with a rated current not exceeding 20A for use by ordinary persons. The only exceptions allowed are for socket outlets for use under the supervision of "skilled" or "instructed persons" e.g. some commercial / industrial locations, or a specific labelled socket provided for connection of a particular item of equipment, e.g. a freezer circuit.

Regulation 421.1.201

New regulation requires that within domestic (household) premises, consumer units and similar switchgear assemblies shall comply with BS EN 61439-3 and shall:

- (i) have their enclosure manufactured from non-combustible material, or
- (ii) be enclosed in a cabinet or enclosure constructed of non-combustible material.

Ferrous metal is the example given for a non-combustible material, hence the full metal consumer unit is now the standard to achieve compliance.

Regulation 522.6.202 & 203

Requires the use of RCDs to protect the wiring concealed in walls or partitions even where installed in previously defined "Safe Zones". These regulations effectively mean that all concealed wiring at a depth of less than 50mm from the surface requires protection by a 30mA RCD unless provided with earthed mechanical protection.

Regulation 701.411.3.3

In specific locations such as those containing a bath or shower there is a requirement now to provide RCD protection on all circuits, including the lighting and shower circuits.

Application of RCDs

The 17th Edition of the IEE wiring regulations (BS7671), details the use of RCDs (Residual Current Devices) with a residual operating current not exceeding 30mA as the recognised means of providing additional protection in the event of failure of the provision for basic protection and or the provision for fault protection or carelessness by users.

Such RCDs should not be used to provide the sole means of protection and do not obviate the need to apply one or more of the recognised protective measure as detailed in the regulations.

Under the regulations an installation is required to incorporate one or more RCDs, depending upon the circumstances. Such instances include:-

- All socket outlets not exceeding 20A, but with certain exceptions. One such exception would be permitted for a specific labelled or otherwise suitably identified socket outlet for connection of a particular piece of equipment.
- Mobile equipment with a current rating not exceeding 32A for use outdoors.
- Electrical circuits installed under "Special installations and locations" as defined in Part 7 of the regulations e.g. Swimming Pools / Saunas.
- All electrical circuits, including shower and lighting circuits etc. in rooms with a fixed bath or shower e.g. bedrooms and en-suite bathrooms.

In addition to the protection requirements of the outgoing circuits / loads, the requirements of the installed cabling also must be taken into account.

Where a cable is concealed in a wall or partition at a depth of less than 50mm from the surface, even if installed in the "safe zone", if not provided with earthed mechanical protection e.g. Metal trunking or conduit, it must be provided with additional protection by means of a 30mA RCD.

Whilst it may be desirable to have one or two circuits fed via an unprotected circuit e.g. an identified / dedicated freezer circuit, the installation of the wiring may still dictate that the circuit must be RCD protected. The protection of a circuit by means of a 30mA RCD is also required where cables are concealed in walls constructed with metal stud partitions which are common in modern buildings, irrespective of the depth from the surface, unless provided with protection in the form of earthed metallic covering, trunking, conduit or other mechanical protection so as to avoid damage to the cable during installation or construction of the wall.

IEE Regulations and British Standards are subject to amendments. This Eaton guide to consumer unit solutions is not a substitute for the regulations which should always be used for all types of electrical installations and design work.

Summary of RCD application

| Regulations | Relating to | Example | Additional Protection |
|------------------------|---|---|-----------------------|
| 411.3.3 | All socket outlets up to 20A rating for general use by ordinary persons | <ul style="list-style-type: none"> – Upstairs sockets – Downstairs sockets – Kitchen sockets – Cooker outlet with integral 13A socket outlet – Plus any other sockets rated up to 20A including garage sockets | 30mA RCD |
| 701.411.3.3 | All electrical circuits in a room with a fixed bath or shower | <ul style="list-style-type: none"> – Shower circuit – Lighting circuit – Heating circuit – Ventilation circuit – Shaver socket – Socket outlets | 30mA RCD |
| 522.6.202 522.6.203 | All electrical circuits buried in a wall or partition at less than 50mm and without mechanical protection | <ul style="list-style-type: none"> – All concealed wiring – Socket outlets – Lighting circuits – Smoke alarm – Burglar alarm | 30mA RCD |

Installation design

The 17th edition wiring regulations BS7671 Amendment 3: 2015 applies to all new installations designed after 30th June 2015, and there are various options that must be considered in order to satisfy these requirements. Starting with the wiring scheme and the building design, consideration must be given to the purpose of the building, and to the persons who will be using the installation, as different regulations will be applicable, e.g. is the installation under the control of skilled or instructed persons, or ordinary persons, or perhaps the installed location contains a bath or shower. Answers to these points will start to focus in on the regulations that need to be followed.

Consideration must be given to the way cables will be fitted within the installation, either on the surface in trunking or conduit, or else concealed beneath the surface of the wall either buried within the plaster or inside the cavity of a hollow partition wall. The chosen installation methods and wiring accessories or loads being fed will also dictate whether additional protection by means of 30mA RCDs is required on those circuits or not.

The wiring regulations are open to interpretation in some areas, where reference is made to “minimise inconvenience in the event of a fault”; acceptable levels of inconvenience can be somewhat subjective.

In most circumstances the regulations now dictate that a consumer unit will be required to have two or more 30mA RCDs, enabling the load circuits to be spread over a number of RCD protected zones or outgoing ways.

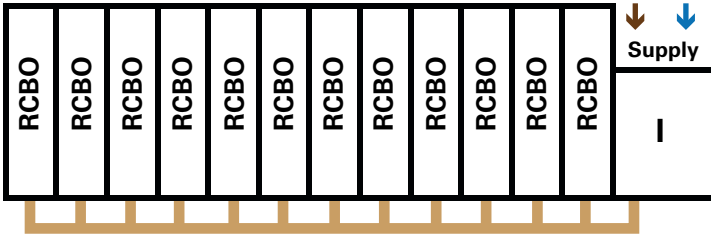
However, the most comprehensive and effective solution, and one that is guaranteed to fully meet the requirements of the regulations is to equip each and every circuit with its own individual 30mA RCBO.

The examples shown on the next page illustrate just some of the many options available, to a contractor, to achieve a 17th Edition compliant installation. Some options provide a much higher level of circuit integrity than others. The final choice of which may well be made based on this and the cost / ease of the installation.

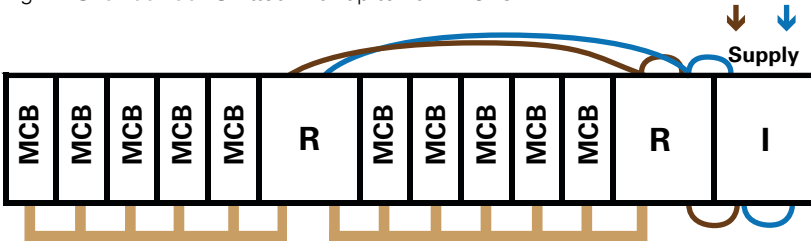
Consumer unit solutions

There are many ways of providing compliance with BS7671 IET wiring regulations using a new full metal unit in accordance with Regulation 421.1.201.

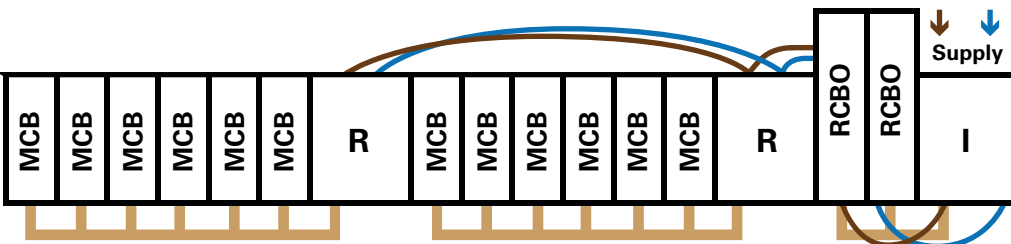
The most comprehensive solution would be to provide individual RCBO protection on each and every outgoing circuit from a consumer unit. Hence the use of a consumer unit such as a 12 way isolator controlled board. E.g. **EAS12S** fitted with up to 12 x **RCBOs**.



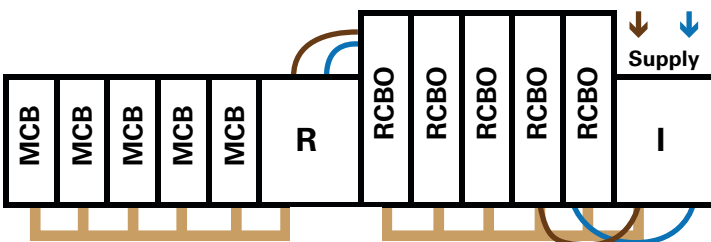
The next level down would be to provide an isolator controlled dual RCD consumer unit feeding two RCD board sections. E.g. **EAS10H80H80DS** fitted with up to 10 x **MCBs**.



A dual RCD board could also be provided with some unprotected ways controlled by the main switch to enable a supply to any individual circuits that don't require RCD protection or else require individual RCBO circuit protection. E.g. **EAS14H80H80DS** fitted with up to 14 devices which can be a mixture of **MCBs** and **RCBOs**.



A conventional split load board such as an **EAS10H80DS** could have **RCBOs** fitted to the non-protected side allowing a mixture of Group RCD protected **MCB** circuits and Individual **RCBO** protected circuits.



Switch and protection devices

**Miniature Circuit Breakers (MCBs)**

The Eaton range of 6kA high performance Miniature Circuit Breakers (MCBs) has been designed to meet the latest UK, European and International standards, with ratings from 2A up to 63A as standard.

The Eaton 6kA miniature circuit breakers are designed and tested in accordance with IEC/EN 60898 and are available in both B and C characteristic curve as standard.

Technical characteristics

- Modular design, DIN rail mountable, one module wide.
- Single pole MCB for commercial and residential applications.
- Rated Breaking Capacity 6kA to IEC/EN 60898
- 2–63A in both type B and C characteristics
- Positive contact indication
- Box clamp barrier to prevent incorrect cable insertion
- Calibrated at 40°C
- Can be used with both pin and comb type busbars
- Suitable for use in Eaton consumer units and a wide range of other applications

**Compact Residual Current Circuit Breakers with Overcurrent protection (RCBOs)**

The Eaton range of combined Residual Current Circuit Breakers with integral Overload protection (RCBOs), combine the highest level of protection for both people and circuits in a single module device.

The Eaton range of 6kA RCBOs are available from 6A to 45A in both B and C curve with 30mA trip sensitivity and fully comply to IEC/EN 61009

Technical characteristics

- New compact modular design, DIN rail mountable, one module wide. Providing significant wiring space above the module.
- Single module combined MCB/RCD unit
- Solid neutral
- Positive contact indication
- Rated currents from 6–45A in both B and C characteristic
- Trip sensitivity 30mA (others available)
- Rated breaking capacity 6kA
- Test button

**Residual Current Circuit Breakers (RCCBs)**

The Eaton range of Residual Current Circuit Breakers without integral overload protection (RCCBs), provide protection solutions to a wide range of applications.

The Eaton range of double pole RCDs are available with 10mA, 30mA, 100mA and 300mA sensitivities.

Technical characteristics

- Modular design, DIN rail mountable, two modules wide.
- Double pole RCD for commercial and residential applications
- Rated short circuit capacity 10kA with fuse back up
- Manufactured and tested to IEC/EN 61008
- Trip sensitivities 10, 30, 100 and 300mA
- Positive contact indication
- Test button

**Main load disconnect switch (isolator)**

The Eaton range of modular Isolators are available in single pole, double pole and single pole with switched neutral arrangements.

Technical characteristics

- Compact modular design, DIN rail mountable, one or two modules wide.
- Positive contact indication
- Rated at up to 12.5kA these switches are fully tested to IEC 60947-3 for AC23 duty at 240VAC
- Terminal capacity 2.5–50 mm²

**Single pole & neutral switchfuse**

The Eaton wall mounted switchfuse **800KMF** is a fully moulded, compact wall mounted, SP&N unit rated at up to 80A, complying with EN 60947-3 for duty AC22B, 240v AC. The unit is fitted with a fully insulated pull out fuse carrier, which will accommodate HRC fuse links complying with BS 88-3 (formerly BS 1361) and rated between 45–80A.

Control and switching devices



Switches and Twilight Switches

Timers & Twilight Switches are applied in any residential, commercial and industrial buildings wherever automatic control is required on predefined times and/or depending on daylight intensity.

The Eaton range comprises of a wide variety of different products which include analogue Timers, digital Timers, Twilight Switches and Staircase Timers.

These Timers can either be controlled by a 50 Hz netsynchronisation, quartz control and time synchronisation or using the DCF signal or GPS antenna, which guarantees 100% accuracy at all times. Except for net-synchronised timers all units do have self power reserve to secure the time setting and program storage in case a power interruption does occur.

Dedicated computer software and memory cards are available to support the programming of our most advanced timers.

Automatic summer and winter time, holiday and random switching programs complete the functionality of our range.

Twilight Switches are supplied with a remote light sensor, which can be easily installed on the outside wall where the required light intensity threshold can be simply adjusted on the modular device itself.

Technical characteristics (depending on type)

- Modular design.
- Analogue and digital timers.
- Time adjustment by 50 Hz net, quartz control, DCF¹⁾ or GPS signal reception²⁾
- Manual override switching function.
- Power reserve for all quartz and DCF or GPS driven switches.
- Remote Light Sensor for Twilight Switching.

Benefits

- Easily programmable on front of device.
- Computer aided programming software available.
- Compact 18 mm design for restricted space opportunities.
- Separate IP40 covers are available for direct wall mounting.
- High level of accuracy.
- Automatic summer and winter time adjustment.
- Holiday & Random program settings.
- High power reserve up to 10 years.

Notes: 1) Automatic calculation of sunrise and sunset times throughout the year, including the possibility of astro times + / -2 hour shift.

2) The DCF-signal can only be received within a 1000 km radius.



Contactors and impulse switches

Contactors are frequently applied for switching of lamp loads, fans or pumps in both utility as well as industrial areas.

Eaton's "CR" contactors are very specific due to the applied operating coil and the construction of the main contacts. All contactors with ac/dc coils ensure silent operation which is further enhanced by a low power consumption.

Optimal contacts and low heat dissipation guarantee a long lifetime of the contactor which is available in a wide range of characteristics.

Technical characteristics

- Designed according to IEC 60947-4-1 and IEC 61095 standards.
- Suitable for applications in general control, heating & lighting applications.
- Available in 20, 25, 40 & 63 A ratings with up to 4-pole contacts.
- Optional add-on auxiliary contact available.
- DIN modular profile.
- Spacers available to extend lifetime (it is recommended to use 1 spacer between every 2 contactors installed).
- Day/night contactors available with manual override function.

Benefits

- Low inrush power for all ac/dc types.
- Availability of combined ac/dc type contactors ensure silent operation.
- Contactors of ac/dc coil type are operable on both ac and dc voltage. The 20 A and 25 A versions are also available with ac coil. All combined ac/dc type versions are equipped with surge protection on the operating coil.
- Equipped with contact indication.
- Optimal quality of contacts and low heat dissipation ensure a long life time.

Transformers

The Eaton bell transformer is a simple two module unit providing a dual voltage output (12V, 0.6A and 8V, 1.0A) and can be used with most commercially available door bells.



Suitable for residential and light commercial applications, Eaton's xComfort RF product range has been specifically designed to provide centralised control of all the electrical equipment in order to maximise energy savings, comfort, safety and security.

- Ideal for new construction and renovation projects
- Numerous functions available e.g. control of lights, blinds, heating, ventilation etc. including status display
- Control by wireless switches, remote control, smart phones and tablets
- Simple to install within an existing installation, no chiselling, no mess, minimal wiring
- Suitable for a wide range of applications, can easily be expanded
- Matches a wide range of wiring accessories and switches
- Little wiring required

Control your house from the other side of the world

Installing an xComfort system with a Smart Home Controller will give you full remote access of anything electrical within the home or controlled environment, from anywhere in the world. Wireless light switches, dimmers and thermostats can be placed anywhere in the house, without having to rely on any cables to connect them up. This provides a good practical level of control enabling zoned control of heating and lighting switched by means of presence detectors, wall switches and programmed events etc. Lights can be controlled to switch on at reduced lux levels to take advantage of external light and save energy.

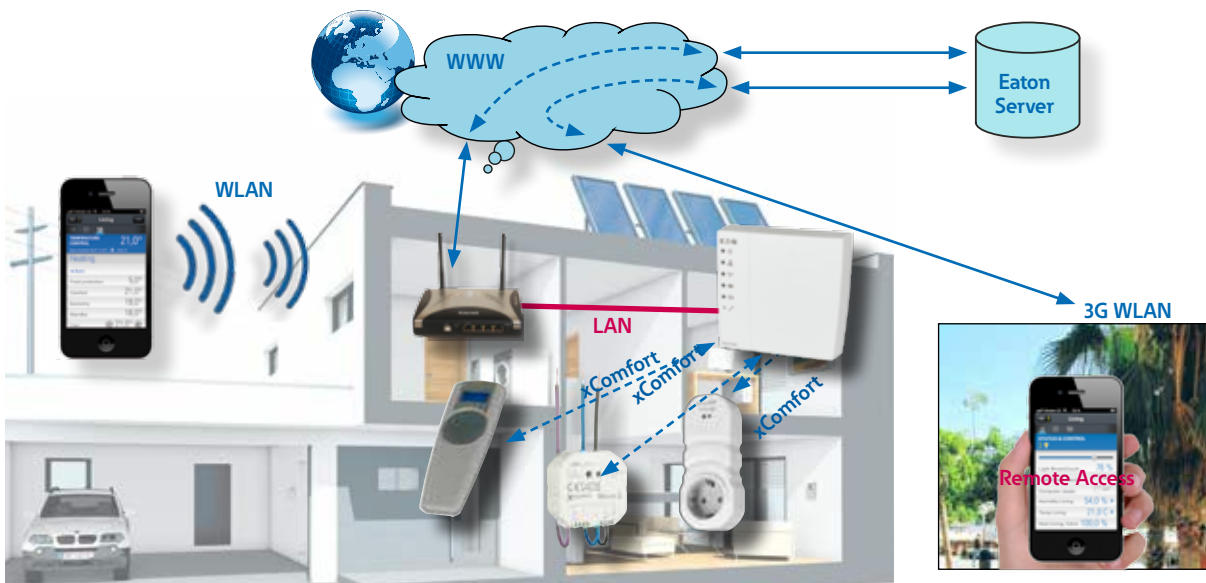
Master switch gives full control

The system also does away with unsightly cables, as all the switches are wireless and can be placed virtually anywhere, they can indeed also be replaced by hand held remote control units. Operation of the xComfort system can also be triggered by means of its inbuilt time-switch programs that can start and stop various electrical devices as required. That means you can wake up to a pot of freshly brewed coffee every morning, or make sure your heating and lighting is turned on just before you arrive home. Putting devices and appliances under time-switch control also provides extra security, by ensuring these devices are turned off even when you

forget to do it yourself. Simply having a master switch by the entrance can let you switch off all the lights in the house with a single press of a button, and upon return pressing the master ON may just turn on selected preprogrammed lights such as those in the hallway. The use of wireless thermostats, situated in the correct location, in each of the heating zones further ensures that the temperature is always optimal in every room in the house. The additional use of window contacts and wireless input modules will also allow xComfort to be set up so that the heating also responds and switches off when a window is opened and back on again when it is closed.

Control your home from your phone

If you're away from home, xComfort and the Smart Home Controller can now allow you to control all the devices in an installation through a smartphone or a web browser from anywhere in the world. The system can also alert you to events by SMS or email and you can receive a report containing important information such as a window has been opened or a sensor, such as a temperature sensor, has reached a pre-set limit, enabling you to take control remotely or confirming that xComfort is dealing with the alert locally.





The PREMERA white moulded range offers a modern aesthetically edged styled appearance whilst utilising the well established UREA material with its inherent MRSA germ protection properties ideal for kitchens, bedrooms and living rooms.

Each product is supplied with an optional screw cap facility to hide unsightly screws.

Essential supply products are offered enabling circuits to be highlighted effectively with unmistakable red rockers and fuse drawers without compromising their suiting with other standard accessories. Grey covers are offered to provide solutions to the latest Building Regulations.

| | | |
|------------|--|----|
| 2.1 | 10A WALL SWITCHES | |
| | 10A standard switches | 29 |
| | 3 Pole fan isolator switches | 29 |
| | 10A broad rocker switches | 29 |
| | 16A hotel switch | 29 |
| | Dimmer switches | 30 |
| 2.2 | SOCKET OUTLETS | |
| | 13A switched sockets..... | 31 |
| | 13A RCD socket..... | 32 |
| | Unswitched sockets | 32 |
| | 15A sockets | 32 |
| | Shaver socket | 32 |
| 2.3 | FUSED CONNECTION UNITS | |
| | 13A connection units – unswitched..... | 33 |
| | 13A connection units – switched..... | 33 |
| 2.4 | POWER SWITCHES | |
| | 20A switches | 34 |
| | 45A/50A switches..... | 34 |
| 2.5 | CABLE OUTLETS AND BLANK PLATES | |
| | Cable outlets..... | 35 |
| | Blank plates | 35 |

Continued overleaf

| | | |
|------------|--------------------------------------|----|
| 2.6 | COMMUNICATION OUTLETS | |
| | Phone/data outlets | 36 |
| | Communication outlets | 36 |
| 2.7 | PATRASSES AND ANCILLARY ITEMS | |
| | Pattresses | 37 |
| | Junction boxes and plugs | 37 |
| 2.8 | PREMERA MIX MODULE PLATES | |
| | Modular plates/grids | 38 |

P021



10A switches

- To BSEN 60669-1.
- Supplied with M3.5 fixing screws and caps. Each terminal is capable of accepting up to 3 x 1.5mm² conductors. All terminals are backed off, ready to accept cable.
- X-rated for fluorescent or inductive loads.

| Description | Eaton list number |
|-----------------------------|-------------------|
| 10A 1G 1 way | P011 |
| 10A 2G 1 way | P012 |
| 10A 3G 1 way | P013 |
| 10A 4G 1 way | P014 |
| 10A 1 way bell push | P015 |
| 10A 1 way light symbol push | P015L |
| 10A 1G 1 way push | P015P |
| 10A 1G intermediate | P017 |
| 10A 1G 2 way | P021 |
| 10A 1G 2 way push | P021P |
| 10A 2G 2 way | P022 |
| 10A 3G 2 way | P023 |
| 10A 4G 2 way | P024 |
| 10A 6G 2 way | P026 |

P048



3 Pole isolator switches

- To BSEN 60669-1.

| Description | Eaton list number |
|-------------------------------|-------------------|
| 10A fan isolator + fan symbol | P048 |
| 10A 3 pole isolator | P049 |

P041



10A broad rocker switches

- To BSEN 60669-1.
- Broad rocker individual modules can be removed for replacement/ maintenance. X-rated for fluorescent or inductive loads.

| Description | Eaton list number |
|----------------------------------|-------------------|
| 10A 2G 2 way half broad switch | P032 |
| 10A 1G 2 way broad switch | P041 |
| 10A 1G 2 way push switch | P041P |
| 10A 2G 2 way broad switch | P042 |
| 10A 1G 1 way bell push | P045 |
| 10A 1G 1W broad switch push | P045P |
| 10A 1G intermediate broad switch | P047 |

P450



16A hotel switch

- To BS 60669-1.
- Each terminal is capable of accepting up to 3 x 1.5mm² conductors. Suitable for surface mounting.
- Time delay.

| Description | Eaton list number |
|------------------|-------------------|
| 16A hotel switch | P450 |

2.1

PREMERA white moulded

Wall switches

P9131



Push on/push off action dimmers

- To BSEN 60669-1.

| Description | Eaton list number |
|--|-------------------|
| 250W 1G 2W push universal | P9131 |
| 250W 2G 2W push universal | P9132 |
| 400W 1G 2W push universal | P9141 |
| 400W 2G 2W push universal | P9142 |
| 1000W 1G 2W push universal (2 gang plate size) | P9111 |
| 1–10V 1G 1W analogue | P9101 |

P9551



Non-european rotary dimmers

| Description | Eaton list number |
|-------------------------------------|-------------------|
| 500W 1G 1W universal non-european | P9551 |
| 500W 2G 1W universal non-european | P9552 |
| 1000W 1G 1W universal non-european | P9511 |
| 60–500W fan controller non-european | P9751 |

P611



13A single pole switched sockets

- To BS 1363: Part 2.
- Terminals capable of accepting up to 3 x 4mm² or 2 x 6mm² conductors.

| Description | Eaton list number |
|---------------------------|-------------------|
| 13A 1G SP switched socket | P611 |
| 13A 2G SP switched socket | P612 |

P622



13A double pole switched sockets inboard rockers

- To BS 1363: Part 2.
- 2 earth terminals and inboard rockers.
- Terminals capable of accepting up to 3 x 4mm² or 2 x 6mm² conductors.

| Description | Eaton list number |
|---|-------------------|
| 13A 1G DP switched socket | P621 |
| 13A 1G DP switched socket – grey | P621GY |
| 13A 1G DP switched socket + neon | P621N |
| 13A 1G DP switched socket + red rockers | P621RR |
| 13A 1G DP switched socket red plate cover | P621RED |
| 13A 2G DP switched socket | P622 |
| 13A 2G DP switched socket + neon | P622N |
| 13A 2G DP switched socket + red rockers | P622RR |

P632N



13A double pole switched sockets outboard rockers

- To BS 1363: Part 2.
- 2 earth terminals and outboard rockers.
- Terminals capable of accepting up to 3 x 4mm² or 2 x 6mm² conductors.

| Description | Eaton list number |
|--|-------------------|
| 13A 2G DP switched socket | P632 |
| 13A 2G DP switched socket – grey | P632GY |
| 13A 2G DP switched socket + neon | P632N |
| 13A 2G DP switched socket + red rockers | P632RR |
| 13A 2G DP switched socket – red coverplate | P632RED |

P651



13A 1G double pole non-standard/clean earth switched sockets

- Non-standard socket interface to BS 5733 with clean earth facility.
- 2 clean earth terminals and 2 standard earth terminals on each product.

| Description | Eaton list number |
|---------------------------|-------------------|
| 13A 1G DP switched socket | P651 |

P652



13A 2G double pole non-standard/clean earth switched sockets

- Outboard rockers.
- Non-standard socket interface to BS 5733 with clean earth facility.
- 2 clean earth terminals and 2 standard earth terminals on each product.

| Description | Eaton list number |
|---|-------------------|
| 13A 2G DP switched socket with 2E terminals | P652 |
| 13A 2G DP switched socket + red rockers with 2E terminals | P652RR |

P672

**13A 2G double pole clean earth switched sockets**

- Outboard rockers.
- Standard socket interface to BS 1363 with clean earth facility.
- 2 clean earth terminals and 2 standard earth terminals on each product.

Description**Eaton list number**

13A 2G DP switched socket with 2E terminals

P672

P692

**13A 2G switched sockets outboard rockers with USB charger outlets**

- 2.6A output split over the two USB outlets
- 2 x USB outlets complete with shutters to stop ingress of foreign bodies
- Complies to latest standards for USB sockets BS EN 62368-1:2014
- Complies with EMC standards EN55022, EN55024, EN61000-3-2/3
- 13A sockets comply with BS1363-2

Description**Eaton list number**

13A 2G with 2 x USB charger outlets

P692

P686

**13A double pole RCD socket outlet – passive**

- Added protection against electrocution.
- 30mA protection.
- Passive – The contacts on the passive device remain closed when the mains supply is interrupted – this type is suitable for applications such as fridge freezers etc.
- To BS 7288

Description**Eaton list number**

13A 2G RCD protected socket passive 30mA

P686

P111

**13A socket outlets**

- To BS 1363: Part 2.
- Terminals capable of accepting up to 3 x 4mm² or 2 x 6mm² conductors.
- 2 earth terminals on P112.

Description**Eaton list number**

13A 1G unswitched socket

P111

13A 2G unswitched socket

P112

P415

**15A socket outlet**

- To BS 546.

Description**Eaton list number**

15A 1G switched socket

P415

P370

**Shaver supply unit**

- To BSEN 61558-2-5.
- Mounting box – **F4530** (46mm deep).

Description**Eaton list number**

Shaver socket dual voltage 230V/110V AC

P370

P221N



13A double pole fused connection units with optional cable outlets – switched

- To BS 1363: Part 4.
- Live and Neutral accept 2 x 2.5mm² cables. Suitable for surface mounting.
- P212 adaptor plate for use with bottom entry cable outlet.

| Description | Eaton list number |
|---|-------------------|
| 13A DP switched connection unit | P221 |
| 13A DP switched connection unit marked 'boiler' | P221BO |
| 13A DP switched connection unit marked 'central heating' | P221CH |
| 13A DP switched connection unit marked 'cooker hood' | P221CKH |
| 13A DP switched connection unit marked 'dishwasher' | P221DW |
| 13A DP switched connection unit – grey | P221GY |
| 13A DP switched connection unit marked 'extract fan' | P221EF |
| 13A DP switched connection unit marked 'refrigerator' | P221R |
| 13A DP switched connection unit + red rocker | P221RR |
| 13A DP switched connection unit marked 'washing machine' | P221WM |
| 13A DP switched connection unit + neon | P221N |
| 13A DP switched connection unit + neon – grey | P221NGY |
| 13A DP switched connection unit + neon marked "refrigerator" | P221NR |
| 13A DP switched connection unit + neon + red fuse drawer | P221NRR |
| 13A DP switched connection unit + neon marked 'water heater' | P221NWH |
| 13A DP switched connection unit + neon marked 'washing machine' | P221NWM |
| 13A DP switched connection unit fitted with 3A fuse | P224 |

P220



13A fused connection units with optional cable outlets – unswitched

- To BS 1363: Part 4.
- Live and Neutral accept 2 x 2.5mm² cables. Suitable for surface mounting.
- P212 adaptor plate for use with bottom entry cable outlet.

| Description | Eaton list number |
|---|-------------------|
| 13A unswitched connection unit | P220 |
| 13A unswitched connection unit + red fuse drawer | P220RR |
| 13A unswitched connection unit + neon | P220N |
| 13A unswitched connection unit fitted + 3A fuse | P223 |
| 13A unswitched connection unit + neon fitted with 3A fuse | P223N |

2.4

PREMERA white moulded

Power switches

P401N



20A double pole switches with optional cable outlet

- To BSEN 60669-1.
- Supply terminals accept 3 x 2.5mm² conductors. Load terminals accept 2 x 2.5mm² conductors.
- P212 adaptor plate for use with bottom entry cable outlet.

| Description | Eaton list number |
|---|-------------------|
| 20A DP switch | P401 |
| 20A DP switch marked 'water heater' | P403 |
| 20A DP switch + neon | P401N |
| 20A DP switch + neon marked 'water heater' | P403N |
| 20A DP switch + neon marked 'air conditioner' | P404N |

P425N



45A double pole cooker control unit

- To BS 4177.

| Description | Eaton list number |
|-----------------------------------|-------------------|
| 45A DP cooker control unit | P425 |
| 45A DP cooker control unit + neon | P425N |

P421N



50A double pole switches

- To BSEN 60669-1.

| Description | Eaton list number |
|---|-------------------|
| 50A DP switch 2G plate | P421 |
| 50A DP switch + neon 2G plate | P421N |
| 50A DP switch marked 'cooker' 2G plate | P423 |
| 50A DP switch + neon marked 'cooker' 2G plate | P423N |
| 50A DP switch + neon marked 'air conditioner' 2G plate | P424N |
| 50A DP switch + neon 1G plate size | P422N |
| 50A DP switch + neon 1G plate size – grey | P422NGY |
| 50A DP switch + neon 1G plate size marked 'cooker' | P426N |
| 50A DP switch + neon 1G plate size marked 'air conditioner' | P427N |

P345



Cable/cooker outlet plates

- To BS 5733.

Description

Eaton list
number

45A DP cable outlet with terminal block

P345

20A flex outlet plate

P210

Cable outlet adaptor plate for 20A switch/13A fused connection unit

P212

P212



P392



Blank plates

Description

Eaton list
number

1 gang blank plate

P391

2 gang blank plate

P392

Accessories

Description

Eaton list
number

Spare screw caps – PREMERA

P999

2.6

PREMERA white moulded

Communication outlets

P362



Telephone outlets

Description

Eaton list number

1G telephone outlet single master

P360

1G telephone outlet single secondary

P361

1G telephone outlet single RJ11

P362

P352



TV/FM co-axial outlets

- **P353** and **P354** isolated outlets for use in multi-outlet aerial systems. Suitable for full band width 40–860MHz. Single outlet TV/FM isolated co-axial socket suitable for 'T' box use with a single co-axial lead. Isolated 2 gang TV/FM diplexer socket double resistive outlet suitable for TV/FM and 'T' box use with a single co-axial down lead.

Description

Eaton list number

1G TV co-axial outlet

P351

1G TV co-axial outlet dual clamp

P351D

2G TV co-axial outlet

P352

1G TV/FM isolated co-axial outlet

P353

2G TV/FM diplexer co-axial outlet

P354

P356



TV and satellite co-axial outlets

- Suitable for full band width 40–860MHz.

Description

Eaton list number

1G SAT outlet

P355

2G TV/SAT outlet

P356

P357



Screened TV/FM/radio/satellite co-axial outlets

- Suitable for full band width 40-860MHz. Will accept digital IR return signal through TV point.

Description

Eaton list number

2G TV/radio outlet screened

P357

F4501



Mounting boxes

| Description | Eaton list number |
|--|-------------------|
| 1G pattress 16mm deep | F4500 |
| 1G pattress 28mm deep | F4501 |
| 2G pattress 28mm deep | F4502 |
| 2G conversion pattress 25mm deep | F4510 |
| 2G pattress 40mm deep with cable clamp | F4511 |
| 2G pattress 46mm deep for shaver supply unit | F4530 |
| 1G pattress 45mm deep | F4570 |

F3368



Ancillary products

| Description | Eaton list number |
|-----------------------|-------------------|
| 13A non-standard plug | F3368 |
| 10W connection box | F5099 |

P903



Modular coverplates

- Suitable for use with PREMERA mix module range.
- Dimensions: 1–2G: 86mm x 86mm 3–4G: 86mm x 146mm 6–8G: 146mm x 150mm
 12G: 150mm x 210mm 18G: 210mm x 210mm 24G: 210mm x 270mm
- Supplied complete with mounting frames/earth straps.

| Description | Eaton list number |
|--|-----------------------|
| 1G module coverplate moulded c/w earth strap | P901 |
| 2G module coverplate moulded c/w earth strap | P902 |
| 3G module coverplate moulded c/w earth strap | P903 |
| 4G module coverplate moulded c/w earth strap | P904 |
| 6G module coverplate moulded c/w mounting frame | P906 |
| 8G module coverplate moulded c/w mounting frame | P908 |
| 12G module coverplate moulded c/w mounting frame | P912 |
| 18G module coverplate c/w mounting frame – clip-on cover | C918 + CP918WH |
| 24G module coverplate c/w mounting frame – clip-on cover | C924 + CP924WH |
| 1G modular coverplate moulded – grey c/w earth strap | P901GY |
| 2G modular coverplate moulded – grey c/w earth strap | P902GY |
| 3G modular coverplate moulded – grey c/w earth strap | P903GY |
| 4G modular coverplate moulded – grey c/w earth strap | P904GY |
| 6G modular coverplate assembly moulded – grey c/w mounting frame | P906GY |
| 8G modular coverplate assembly moulded – grey c/w mounting frame | P908GY |



PREMERA mix is a modular interface grid system combining the benefits of a traditional grid range, a voice and data range, power sockets, broad switches and intelligent RF switch modules.

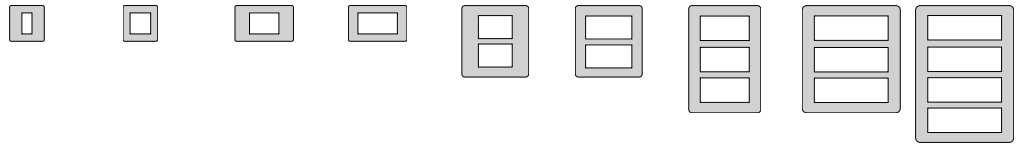
Offering up to 24 module size plates with endless combinations, PREMERA mix also includes radio frequency switching capabilities as part of Eaton's xComfort range enabling one product platform to fit all.

| | | |
|------------|--|-------|
| 3.1 | SWITCHES | |
| | 10A switches | 42 |
| | 20A switches | 42–43 |
| | 20A DP legend switches | 42 |
| 3.2 | BROAD SWITCHES | |
| | 10A switches | 44 |
| | 20A switches | 44 |
| 3.3 | KEY SWITCHES | |
| | 20A key switches | 45 |
| | 20A DP key switches..... | 45 |
| 3.4 | ANCILLARY PRODUCTS | |
| | Neons | 46 |
| | Fuse modules | 46 |
| | Cable outlets, buzzers, blanks | 46 |
| 3.5 | DIMMERS | |
| | 250W/400W/VA Universal dimmers | 47 |
| | 500W/1000W dimmers | 47 |
| | Fan controller | 47 |
| 3.6 | SOCKET MODULES | |
| | 13A sockets/13A non-standard socket..... | 48 |
| | 5A/15A sockets..... | 48 |
| | Schuko and American sockets..... | 48 |

Continued overleaf

| | | |
|------------|----------------------------------|----|
| 3.7 | COMMUNICATION MODULES | |
| | TV/FM sockets..... | 49 |
| | Satellite outlets..... | 49 |
| | Phone outlets | 49 |
| | Data and voice outlets..... | 49 |
| 3.8 | RF SWITCHES AND ACTUATORS | |
| | Switches | 50 |
| | Dimmers..... | 50 |
| | Actuators | 50 |
| 3.9 | BACK BOXES | |
| | Surface and flush..... | 51 |

PREMERA mix specification guide



| Range/finish | Eaton list number | | | | | | | | |
|-------------------------------------|-------------------|---------------|---------------|---------------|----------------|----------------|----------------|-----------------------|-----------------------|
| | 1 module | 2 module | 3 module | 4 module | 6 module | 8 module | 12 module | 18 module | 24 module |
| PREMERA white | P901 | P902 | P903 | P904 | P906 | P908 | P912 | C918 + CP918WH | C924 + CP924WH |
| PREMERA grey | P901GY | P902GY | P903GY | P904GY | P906GY | P908GY | – | – | – |
| COPA c/w white cover | C901WH | C902WH | C903WH | C904WH | – | – | – | – | – |
| COPA interior | C901 | C902 | C903 | C904 | C906 | C908 | C912 | C918 | C924 |
| COPA interior black | C901B | C902B | C903B | C904B | C906B | C908B | C912B | C918B | C924B |
| COPA plastic covers ¹⁾ | CP901* | CP902* | CP903* | CP904* | CP906* | CP908* | CP912* | CP918* | CP924* |
| COPA metal covers ²⁾ | CM901* | CM902* | CM903* | CM904* | CM906* | CM908* | CM912* | CM918* | CM924* |
| COPA fix plates – SS | B901SS | B902SS | B903SS | B904SS | B906SS* | B908SS* | B912SS* | B918SS* | B924SS* |
| XTRA surface range | X901MG | X902MG | X903MG | X904MG | X906MG | X908MG | X912MG | X918MG | X924MG |
| Back boxes | | | | | | | | | |
| Flush boxes – Metal | 35mm deep | 35mm deep | 35mm deep | 35mm deep | F8342 | F8342 | F8343 | F8344 | F8345 |
| Surface metal boxes for Xtra plates | | | | | | | | | |
| – with knockouts | FM8340 | FM8340 | FM8341 | FM8341 | F8342 | F8342 | F8343 | F8344 | F8345 |
| – without knockouts | FM8349 | FM8349 | FM8350 | FM8350 | F8351 | F8351 | F8352 | – | – |
| Surface moulded boxes | F4501 | F4501 | F4502 | F4502 | – | – | – | – | – |

Notes: Items supplied complete with all the mounting frames unless stated.

¹⁾Covers only – need to order interior – white or black (eg **C901** or **C901B**).

PREMERA mix plate dimensions

| | 1 gang | 2 gang | 3 gang | 4 gang | 6 gang | 8 gang | 12 gang | 18 gang | 24 gang |
|-----------------------------------|---------------------------|---------------------------|---------------------------|---------------------------|---------------------------|---------------------------|---------------------------|---------------------------|---------------------------|
| PREMERA | | | | | | | | | |
| Eaton list number: | P901 | P902 | P903 | P904 | P906 | P908 | P912 | – | – |
| | P901GY | P902GY | P903GY | P904GY | P906GY | P908GY | – | – | – |
| Plate dimensions: | 86 x 86mm | 86 x 86mm | 146 x 86mm | 146 x 86mm | 146 x 150mm | 146 x 150mm | 146 x 210mm | – | – |
| COPA interiors | | | | | | | | | |
| Eaton list number: | C901 | C902 | C903 | C904 | C906 | C908 | C912 | C918 | C924 |
| | C901B | C902B | C903B | C904B | C906B | C908B | C912B | C918B | C924B |
| Plate dimensions: | 84 x 84mm | 84 x 84mm | 145 x 84mm | 145 x 84mm | 142 x 142mm | 142 x 142mm | 142 x 207mm | 203 x 207mm | 203 x 267mm |
| COPA & COPA fix plates | | | | | | | | | |
| Eaton list number: | C901WH | C902WH | C903WH | C904WH | – | – | – | – | – |
| | CP901¹⁾ | CP902¹⁾ | CP903¹⁾ | CP904¹⁾ | CP906¹⁾ | CP908¹⁾ | CP912¹⁾ | CP918¹⁾ | CP924¹⁾ |
| | CM901²⁾ | CM902²⁾ | CM903²⁾ | CM904²⁾ | CM906²⁾ | CM908²⁾ | CM912²⁾ | CM918²⁾ | CM924²⁾ |
| | B901SS | B902SS | B903SS | B904SS | B906SS | B908SS | B912SS | B918SS | B924SS |
| Plate dimensions: | 87 x 87mm | 87 x 87mm | 148 x 87mm | 148 x 87mm | 146 x 150mm | 146 x 150mm | 146 x 210mm | 206 x 210mm | 206 x 270mm |
| Xtra plates | | | | | | | | | |
| Eaton list number: | X901MG | X902MG | X903MG | X904MG | X906MG | X908MG | X912MG | X918MG | X924MG |
| Plate dimensions: | 86 x 86mm | 86 x 86mm | 148 x 87mm | 148 x 87mm | 137 x 137mm | 137 x 137mm | 137 x 195mm | 200 x 198mm | 198 x 257mm |

¹⁾Plastic covers available in the following finishes

| Finish | add suffix to end of part number | Example of product code |
|-----------------|----------------------------------|-------------------------|
| White | WH | CP904WH |
| Metallic silver | SV | CP904SV |
| Gold metallic | GL | CP904GL |
| Black matt | BM | CP904BM |

²⁾Metal plates available in the following finishes

| Finish | add suffix to end of part number | Example of product code |
|-----------------|----------------------------------|-------------------------|
| Stainless steel | SS | CM904SS |
| Highly polished | HP | CM904HP |
| Satin bronze | SB | CM904SB |
| Polished brass | PB | CM904PB |

F9004

**10A switches**

- To BSEN60669-1.

Description**Eaton list number**

White module Black module Red rocker

| Description | Eaton list number White module | Black module | Red rocker |
|------------------------|-----------------------------------|--------------|------------|
| 10A 1 way | F9000 | – | – |
| 10A 2 way | F9001 | F9001B | – |
| 10A 2 way push to make | F9004 | F9004B | – |

F9021RR

**20A switches**

- To BSEN60669-1.

Description**Eaton list number**

White module Black module Red rocker

| Description | Eaton list number White module | Black module | Red rocker |
|-------------------------|-----------------------------------|--------------|------------|
| 20A 1 way | F9020 | F9020B | – |
| 20A 2 way | F9021 | F9021B | F9021RR |
| 20A intermediate switch | F9022 | F9022B | – |

F9023

**20A double pole switches**

- To BSEN60669-1.

Description**Eaton list number**

White module Black module Red rocker

| Description | Eaton list number White module | Black module | Red rocker |
|-------------------------------|-----------------------------------|--------------|------------|
| 20A double pole | F9023 | F9023B | F9023RR |
| 20A double pole push to break | F9029 | – | F9029RR |
| 20A double pole push to make | F9030 | F9030B | F9030RR |
| 20A 2 way centre off | F9024 | F9024B | F9024RR |
| 20A 2 way centre off bias | F9033 | F9033B | F9033RR |

F9023WM

**20A double pole switches – legends**

- To BSEN60669-1.

Description**Eaton list number**

White module Black module Red rocker

| Description | Eaton list number White module | Black module | Red rocker |
|--|-----------------------------------|--------------|------------|
| 20A double pole marked 'boiler' | F9023BO | – | – |
| 20A double pole marked 'cooker hood' | F9023CH | – | – |
| 20A double pole marked 'dishwasher' | F9023DW | – | – |
| 20A double pole marked 'extract fan' | F9023EF | – | – |
| 20A double pole marked 'fridge freezer' | F9023FF | – | – |
| 20A double pole marked 'fridge' | F9023FG | – | – |
| 20A double pole marked 'freezer' | F9023FZ | – | – |
| 20A double pole marked 'hob' | F9023HB | – | – |
| 20A double pole marked 'hob hood' | F9023HH | – | – |
| 20A double pole marked 'light' | F9023LI | – | – |
| 20A double pole marked 'microwave' | F9023MW | – | – |
| 20A double pole marked 'oven' | F9023OV | – | – |
| 20A double pole marked 'plinth heater' | F9023PH | – | – |
| 20A double pole marked 'tumble dryer' | F9023TD | – | – |
| 20A double pole marked 'towel rail' | F9023TR | – | – |
| 20A double pole marked 'washer dryer' | F9023WDR | – | – |
| 20A double pole marked 'water heater' | F9023WH | – | – |
| 20A double pole marked 'washing machine' | F9023WM | – | – |

F9025



20A double pole switches with neon

- To BSEN60669-1.

| Description | Eaton list number | | |
|--------------------------------|-------------------|---------------|------------|
| | White module | Black module | Red rocker |
| 20A double pole with indicator | F9025 | F9025B | – |

F9025HE



20A double pole switches with neon – legends

- To BSEN60669-1.

| Description | Eaton list number | | |
|---|-------------------|--------------|------------|
| | White module | Black module | Red rocker |
| 20A double pole + neon marked 'boiler' | F9025BO | – | – |
| 20A double pole + neon marked 'cooker hood' | F9025CH | – | – |
| 20A double pole + neon marked 'dishwasher' | F9025DW | – | – |
| 20A double pole + neon marked 'extract fan' | F9025EF | – | – |
| 20A double pole + neon marked 'fridge freezer' | F9025FF | – | – |
| 20A double pole + neon marked 'fridge' | F9025FG | – | – |
| 20A double pole + neon marked 'hob' | F9025HB | – | – |
| 20A double pole + neon marked 'heater' | F9025HE | – | – |
| 20A double pole + neon marked 'microwave' | F9025MW | – | – |
| 20A double pole + neon marked 'plinth heater' | F9025PH | – | – |
| 20A double pole + neon marked 'tumble dryer' | F9025TD | – | – |
| 20A double pole + neon marked 'washer dryer' | F9025WDR | – | – |
| 20A double pole + neon marked 'water heater' | F9025WH | – | – |
| 20A double pole + neon marked 'wachine machine' | F9025WM | – | – |

F9032



16A twin switches

- To BSEN60669-1.

| Description | Eaton list number | | |
|------------------------------|-------------------|--------------|------------|
| | White module | Black module | Red rocker |
| 16A 1 way twin switch module | F9032 | – | – |

F9201B

**10A broad rocker switches**

- 50mm x 50mm modules.
- To BSEN60669-1.

Description**Eaton list number**

| White module | Black module | Red rocker |
|--------------|--------------|------------|
| F9201 | F9201B | – |
| F9204 | F9204B | – |

10A 2 way broad rocker

10A 2 way broad rocker push to make

F9225

**20A broad rocker switches**

- 50mm x 50mm modules.
- To BSEN60669-1.

Description**Eaton list number**

| White module | Black module | Red rocker |
|--------------|--------------|------------|
| F9221 | – | – |
| F9222 | – | – |
| F9223 | – | – |
| F9225 | – | – |
| F9224 | – | – |
| F9233 | – | – |

20A 2 way broad rocker

20A intermediate broad rocker switch

20A double pole broad rocker

20A double pole broad rocker indicator

20A 2 way centre off broad rocker

20A 2 way centre off bias broad rocker

F9027RR



20A key switches

- To BSEN60669-1.

Description

| Description | Eaton list number | | |
|--|-------------------|-----------------|----------------|
| | White module | Black module | Red rocker |
| 20A key switch 2 way | F9026 | F9026B | – |
| 20A key switch 2 way printed with 'emergency lighting test charge' | F9026EL | F9026BEL | – |
| 20A key switch double pole | F9027 | F9027B | F9027RR |
| 20A key switch double pole printed with 'emergency lighting test charge' | F9027EL | F9027BEL | – |
| 20A key switch double pole with indicator | F9027N | F9027NB | – |
| 20A key switch 2 way centre off bias | F9028 | F9028B | – |
| 20A key switch intermediate | F9031 | F9031B | – |

3.4

PREMERA mix

Ancillary items

F9063



F9072



Ancillary items

| Description | Eaton list number | | |
|--------------------------------|-------------------|---------------|----------------|
| | White module | Black module | Red rocker |
| Red neon 230V | F9061 | F9061B | – |
| Red filament lamp 24V | F9061/24V | – | – |
| Amber neon 230V | F9062 | – | – |
| Amber neon 24V | F9062/24V | – | – |
| Green neon 230V | F9063 | – | – |
| Green neon 24V | F9063/24V | – | – |
| 13A fuse module ¹⁾ | F9072 | F9072B | F9072RR |
| Cable outlet 20A ¹⁾ | F9073 | F9073B | – |
| Buzzer | F9076 | – | – |
| Replacement key | F9099 | – | – |
| Blank ¹⁾ | F9060 | F9060B | – |

¹⁾To BS5733

F9064



Dimmer modules

| Description | Eaton list number | |
|---|-------------------|--------------|
| | White module | Black module |
| 250W dimmer universal push on/off 2 way ¹⁾ | F9064 | F9064B |
| 400W dimmer universal push on/off 2 way ¹⁾ | F9065 | F9065B |
| 500W dimmer (50mm x 50mm) push on/off 2 way ¹⁾ | F9066 | F9066B |
| 1000W dimmer non-european (50mm x 50mm) push on/off 2 way | F9077 | F9077B |
| 1–10V dimmer push on/off 1 way ¹⁾ | F9078 | F9078B |
| 60–500W fan controller – non-euro rotary 1 way | F9079 | F9079B |

¹⁾To BSEN60669-2-1

F9313

**Socket modules**

- 50mm x 50mm modules.

Description5A 3 pin shuttered socket¹⁾13A 3 pin socket module 2 earth terminals²⁾

13A 3 pin non standard socket 2 earth terminals

15A 3 pin shuttered socket¹⁾16A Schuko socket³⁾15A 3 pin 127v SASO socket⁴⁾**Eaton list number****White module Black module****F9306****F9306B****F9313****F9313B****F9314****F9314B****F9315****F9315B****F9317****F9317B****F9318****F9318B**¹⁾To BS546²⁾To BS1363 Part 2³⁾To IEC60884-1⁴⁾To BS5733:2010

F3784



Communication modules

| Description | Eaton list number | |
|---|-------------------|---------------|
| | White module | Black module |
| Single IEC co-axial (female) screened | F3780 | F3780B |
| Single IEC co-axial (male) screened | F3781 | - |
| Single satellite (female) connection screened | F3782 | - |
| TV/radio/satellite/return module screened (50mm X 50mm) | F3783 | F3783B |
| Telephone (BT secondary) | F3784 | F3784B |
| Telephone (BT master) | F3785 | - |
| RJ11 outlet | F3786 | - |
| RJ45 CAT 6 | F3787 | F3787B |
| 1G module blank ¹⁾ | F3790 | F3790B |

¹⁾To BS5733

F9401

**Premera xComfort RF switch modules**

- See xComfort section for more information.

Description**Eaton list number
White module**

| Description | Eaton list number White module |
|--|-----------------------------------|
| xComfort RF module surface mounting plate (will accept any CP902 type of plate – not supplied) | F9400 |
| xComfort 1G RF switch module | F9401 |
| xComfort 2G RF switch module | F9402 |
| xComfort 4G RF switch module | F9404 |

CSAU-01/01

**xComfort actuators: examples**

- See xComfort section for details of actuators and other RF devices for use with Premera RF switch modules.

Description**Eaton list number
White module**

| Description | Eaton list number White module |
|-----------------------------------|-----------------------------------|
| xComfort 8A SP switching actuator | CSAU-01/02 |
| xComfort 250W dimming actuator | CDAU-01/02 |

F8344



Grid boxes

- To BS5733.

| Description | Eaton list number |
|---|-------------------|
| 1 and 2 gang grid box surface | FM8340 |
| 3 and 4 gang grid box surface | FM8341 |
| 6 and 8 gang grid box flush or surface | F8342 |
| 12 gang grid box flush or surface | F8343 |
| 18G grid box flush or surface | F8344 |
| 24G grid box flush or surface | F8345 |
| 1 and 2 gang grid box no knockouts surface | FM8349 |
| 3 and 4 gang grid box no knockouts surface | FM8350 |
| Gridswitch box 6 & 8 gang – no knockouts flush or surface | F8351 |
| 9 and 12 gang grid box no knockouts flush or surface | F8352 |

Note: PREMERA Mix modules/plates (1–4 gang) fit industry standard 35mm standard flush metal boxes



PREMERA proof is a range of weatherproof accessories offering IP66 protection for outdoor or more arduous environments.

The range provides extensive combinations by utilising the 1 and 2 gang IP66 enclosures whilst delivering on aesthetic appeal.

4.1 IP66 SWITCHES AND ENCLOSURES 54

4.1

PREMERA proof IP66 switches and enclosures

P722



IP66 switches

| Description | Eaton list number |
|---------------------------------|-------------------|
| 1G 10A 2W bell push + neon IP66 | P715 |
| 1G 16A 2W switch + neon IP66 | P721 |
| 2G 16A 2W switch + neon IP66 | P722 |
| 1G 20A DP + neon IP66 | P741 |
| 2G 20A DP switch + neon IP66 | P742 |

P762



IP66 enclosures

- Will accept most standard PREMERA 1 gang or 2 gang products.
- Enclosures must be ordered with equivalent number of PREMERA products.

| Description | Eaton list number |
|-------------------|-------------------|
| 1G IP66 enclosure | P761 |
| 2G IP66 enclosure | P762 |

P771



IP56 switch socket

| Description | Eaton list number |
|-----------------------------|-------------------|
| 13A 1G switched socket IP56 | P771 |



COPA is Eaton's flexible 'Clip On' Plate Accessory range designed with innovative, slim and stylish 'clip-on' face plates that conceal the screw fixing holes to give a superior elegance to the finish of the product. The decorative face plates are available in a selection of styles available in both high quality decorative plastic and luxury metal finishes.

| | | |
|------------|--|----|
| 5.1 | SWITCHES | |
| | 10A switches/architrave | 57 |
| | 3 Pole fan isolator switches | 57 |
| | 10A broad rocker switches | 57 |
| | Dimmer switches | 57 |
| | Alternative dimmer knobs | 58 |
| 5.2 | SOCKET OUTLETS | |
| | 13A switched sockets..... | 59 |
| | Unswitched sockets | 59 |
| | 15A sockets | 60 |
| | Shaver sockets..... | 60 |
| 5.3 | FUSED CONNECTION UNITS | |
| | 13A connection units – unswitched..... | 61 |
| | 13A connection units – switched..... | 61 |
| 5.4 | POWER SWITCHES | |
| | 20A switches | 62 |
| | 45A/50A switches..... | 62 |
| 5.5 | BLANK PLATES | |
| | Blank plates | 63 |

Continued overleaf

| | | |
|------------|----------------------------------|----|
| 5.6 | COMMUNICATION OUTLETS | |
| | Phone/data outlets | 64 |
| | Communication outlets | 64 |
| 5.7 | PREMERA MIX MODULE PLATES | |
| | Modular plates/grids | 65 |

C012



10A switches

- To BSEN 60669-1.
- Minimum back box depth = 25mm.

| Description | Eaton list number White interior c/w white cover | White interior | Black interior | Decorative plate option | Metallic plate option | White cover |
|---|--|-------------------|-------------------|-----------------------------|-----------------------------|-----------------|
| 10A 1G 1 way | C011WH | C011 | C011B | CP011⁽¹⁾ | CM011⁽²⁾ | CP011WH |
| 10A 2G 1 way | C012WH | C012 | C012B | CP012⁽¹⁾ | CM012⁽²⁾ | CP012WH |
| 10A 3G 1 way | C013WH | C013 | C013B | CP013⁽¹⁾ | CM013⁽²⁾ | CP013WH |
| 10A 4G 1 way | C014WH | C014 | C014B | CP014⁽¹⁾ | CM014⁽²⁾ | CP014WH |
| 10A 1G 1 way retractive switch with light symbol | C015LWH | C015 | C015B | CP015L⁽¹⁾ | CM015L⁽²⁾ | CP015LWH |
| 10A 1G 1 way retractive switch with bellpush symbol | C015WH | C015 | C015B | CP015⁽¹⁾ | CM015⁽²⁾ | CP015WH |
| 10A intermediate switch | C017WH | C017 | C017B | CP011⁽¹⁾ | CM011⁽²⁾ | CP011WH |
| 10A 1G 2 way | C021WH | C021 | C021B | CP011⁽¹⁾ | CM011⁽²⁾ | CP011WH |
| 10A 2G 2 way | C022WH | C022 | C022B | CP012⁽¹⁾ | CM012⁽²⁾ | CP012WH |
| 10A 3G 2 way | C023WH | C023 | C023B | CP013⁽¹⁾ | CM013⁽²⁾ | CP013WH |
| 10A 4G 2 way | C024WH | C024 | C024B | CP014⁽¹⁾ | CM014⁽²⁾ | CP014WH |
| 10A 6G 2 way | C026WH | C026 | C026B | CP026⁽¹⁾ | CM026⁽²⁾ | CP026WH |

CM012SS



C012 + CM012SS



C041



10A broad rocker switches

- To BSEN 60669-1.
- Minimum back box depth = 25mm.

| Description | Eaton list number White interior c/w white cover | White interior | Black interior | Decorative plate option | Metallic plate option | White cover |
|--------------------------------------|--|-------------------|-------------------|----------------------------|----------------------------|----------------|
| 10A 2G 2 way half broad switch | C032WH | C032 | – | CP013⁽¹⁾ | CM013⁽²⁾ | CP013WH |
| 10A 1G 2 way broad switch | C041WH | C041 | C041B | CP013⁽¹⁾ | CM013⁽²⁾ | CP013WH |
| 10A 1G 1 way broad switch bellpush | C045WH | – | C045B | – | CM045⁽²⁾ | – |
| 10A intermediate broad switch | C047WH | – | C047B | CP013⁽¹⁾ | CM013⁽²⁾ | CP013WH |
| 10A 3 pole broad rocker fan isolator | C048WH | C048 | C048B | CP048⁽¹⁾ | CM048⁽²⁾ | CP048WH |
| 10A 3 pole broad rocker isolator | C049WH | C048 | C048B | – | CM049⁽²⁾ | – |

C9132WH



Push on/push off action dimmers

- To BSEN 60669-1-1.
- Minimum back box depth = 35mm.

| Description | Eaton list number White interior c/w white cover | White interior | Decorative plate option | Metallic plate option | White cover |
|--|--|-------------------|-----------------------------|-----------------------------|-----------------|
| 250W 1G 2 way | C9131WH | – | CP9131⁽¹⁾ | CM9131⁽²⁾ | CP9131WH |
| 250W 2G 2 way | C9132WH | C9132 | CP9132⁽¹⁾ | CM9132⁽²⁾ | CP9132WH |
| 400W 1G 2 way | C9141WH | – | CP9131⁽¹⁾ | CM9131⁽²⁾ | CP9131WH |
| 1000W 1G 2way – 2 gang size coverplate | C9111WH | – | CP9111⁽¹⁾ | CM9111⁽²⁾ | CP9111WH |

¹Plastic covers available in the following finishes

| Finish | add suffix to end of part number | Example of product code |
|-----------------|----------------------------------|-------------------------|
| White | WH | CP011WH |
| Metallic silver | SV | CP011SV |
| Gold metallic | GL | CP011GL |
| Black matt | BM | CP011BM |

²Metal plates available in the following finishes

| Finish | add suffix to end of part number | Example of product code |
|-----------------|----------------------------------|-------------------------|
| Stainless steel | SS | CM011SS |
| Highly polished | HP | CM011HP |
| Satin bronze | SB | CM011SB |
| Polished brass | PB | CM011PB |

5.1

COPA clip-on plate accessory range

Switches

C9551WH



Rotary tungsten dimmers

- These dimmers are produced for **non-european countries**.
- Minimum back box depth = 35mm.

| Description | Eaton list number | | Decorative plate option | Metallic plate option | White cover |
|------------------------------|--------------------------------|----------------|----------------------------|----------------------------|-----------------|
| | White interior c/w white cover | White interior | | | |
| 500W 1G 1 way | C9551WH | C9551 | CP9131¹⁾ | CM9131²⁾ | CP9131WH |
| 500W 2G 1 way | C9552WH | C9552 | CP9132¹⁾ | CM9132²⁾ | CP9132WH |
| 500W 1G 1 way fan controller | C9751WH | – | CP9131¹⁾ | CM9131²⁾ | CP9131WH |
| 1000W 1G 1way | C9511WH | C9511 | CP9131¹⁾ | CM9131²⁾ | CP9131WH |

A9900PB



Alternative dimmer knobs

| Description | Eaton list number |
|-------------------------------|-------------------|
| Dimmer knob – highly polished | A9900HP |
| Dimmer knob – polished brass | A9900PB |
| Dimmer knob – stainless steel | A9900SS |

A9900SS



¹⁾Plastic covers available in the following finishes

| Finish | add suffix to end of part number | Example of product code |
|-----------------|----------------------------------|-------------------------|
| White | WH | CP9131WH |
| Metallic silver | SV | CP9131SV |
| Gold metallic | GL | CP9131GL |
| Black matt | BM | CP9131BM |

²⁾Metal plates available in the following finishes

| Finish | add suffix to end of part number | Example of product code |
|-----------------|----------------------------------|-------------------------|
| Stainless steel | SS | CM621NSS |
| Highly polished | HP | CM621NHP |
| Satin bronze | SB | CM621NSB |
| Polished brass | PB | CM621NPB |

C622WH



13A switched socket outlets

- To BS 1363: Part 2.
- Minimum back box depth = 25mm.
- Terminals capable of accepting up to 3 x 4mm² or 2 x 6mm² conductors.
- Double pole with 2 earth terminals

| Description | Eaton list number | | | Decorative plate option ¹⁾ | Metallic plate option ²⁾ | White cover |
|--|--------------------------------|----------------|----------------|---------------------------------------|-------------------------------------|----------------|
| | White interior c/w white cover | White interior | Black interior | | | |
| 13A 1G DP switched socket 2E term | C621WH | C621 | C621B | CP621¹⁾ | CM621²⁾ | CP621WH |
| 13A 1G DP switched socket 2E term + neon | C621NWH | C621N | C621NB | – | CM621N²⁾ | – |
| 13A 2G DP switched socket 2E term | C622WH | C622 | C622B | CP622¹⁾ | CM622²⁾ | CP622WH |
| 13A 2G DP switched socket 2E term + neon | C622NWH | C622N | C622NB | – | CM622N²⁾ | – |
| 13A 2G DP switched socket 2E term | C622WH | C622 | C622B | CP622¹⁾ | CM622²⁾ | CP622WH |
| 13A 2G DP switched socket 2E term outboard rockers | C632WH | C632 | C632B | CP632¹⁾ | CM632²⁾ | CP632WH |
| 13A 1G DP switched socket 2E term non standard | C651WH | – | C651B | CP621¹⁾ | CM621²⁾ | CP621WH |
| 13A 2G DP switched socket 2E term non standard | C652WH | – | – | CP632¹⁾ | CM632²⁾ | CP652WH |

C692WH



13A 2G switched sockets outboard rockers with USB charger outlets

- 2.6A output split over the two USB outlets
- 2 x USB outlets complete with shutters to stop ingress of foreign bodies
- Complies to latest standards for USB sockets BS EN 62368-1:2014
- Complies with EMC standards EN55022, EN55024, EN61000-3-2/3
- 13A sockets comply with BS1363-2

| Description | Eaton list number | | | Decorative plate option ¹⁾ | Metallic plate option ²⁾ | White cover |
|-------------------------------------|--------------------------------|----------------|----------------|---------------------------------------|-------------------------------------|-------------|
| | White interior c/w white cover | White interior | Black interior | | | |
| 13A 2G with 2 x USB charger outlets | C692WH | – | C692B | CP692¹⁾ | CM692²⁾ | – |

C111WHa



13A unswitched socket outlets

- To BS 1363: Part 2.
- Minimum back box depth = 25mm.
- Terminals capable of accepting up to 3 x 4mm² or 2 x 6mm² conductors.
- CP and CM coverplate on C111 item all end with an 'a'

| Description | Eaton list number | | | Decorative plate option ¹⁾ | Metallic plate option ²⁾ | White cover |
|--------------------------|--------------------------------|----------------|----------------|---------------------------------------|-------------------------------------|-----------------|
| | White interior c/w white cover | White interior | Black interior | | | |
| 13A 1G unswitched socket | C111WHa | C111a | C111ba | CP111¹⁾ | CM111²⁾ | CP111WHa |
| 13A 2G unswitched socket | C112WH | – | C112B | CP112¹⁾ | CM112²⁾ | CP112WH |

¹⁾Plastic covers available in the following finishes

| Finish | add suffix to end of part number | Example of product code |
|-----------------|----------------------------------|-------------------------|
| White | WH | CP621NWH |
| Metallic silver | SV | CP621NSV |
| Gold metallic | GL | CP621NGL |
| Black matt | BM | CP621NBM |

²⁾Metal plates available in the following finishes

| Finish | add suffix to end of part number | Example of product code |
|-----------------|----------------------------------|-------------------------|
| Stainless steel | SS | CM621NSS |
| Highly polished | HP | CM621NHP |
| Satin bronze | SB | CM621NSB |
| Polished brass | PB | CM621NPB |

5.2

COPA clip-on plate accessory range

Socket outlets

C415WH



15A socket outlets

- To BS 546.
- Minimum back box depth = 35mm.
- Terminals capable of accepting up to 3 x 4mm² or 2 x 6mm² conductors.

| Description | Eaton list number | | | Decorative plate option | Metallic plate option | White cover |
|---------------------------|--------------------------------|----------------|----------------|---------------------------|---------------------------|----------------|
| | White interior c/w white cover | White interior | Black interior | | | |
| 15A 1G SP switched socket | C415WH | – | C415B | CP415¹⁾ | CM415²⁾ | CP415WH |

C370B



230V/115V AC shaver socket

- To BSEN 61558-2-5.
- Minimum back box depth = 47mm.

| Description | Eaton list number | | | Decorative plate option | Metallic plate option | White cover |
|----------------------------|--------------------------------|----------------|----------------|---------------------------|---------------------------|----------------|
| | White interior c/w white cover | White interior | Black interior | | | |
| Shaver socket dual voltage | C370WH | C370 | C370B | CP370¹⁾ | CM370²⁾ | CP370WH |

¹⁾Plastic covers available in the following finishes

| Finish | add suffix to end of part number | Example of product code |
|-----------------|----------------------------------|-------------------------|
| White | WH | CP415WH |
| Metallic silver | SV | CP415SV |
| Gold metallic | GL | CP415GL |
| Black matt | BM | CP415BM |

²⁾Metal plates available in the following finishes

| Finish | add suffix to end of part number | Example of product code |
|-----------------|----------------------------------|-------------------------|
| Stainless steel | SS | CM415SS |
| Highly polished | HP | CM415HP |
| Satin bronze | SB | CM415SB |
| Polished brass | PB | CM415PB |

C221NWH



13A fused connection units

- To BS 1363: Part 4.
- Minimum back box depth = 25mm.
- Terminals capable of accepting up to 3 x 4mm² or 2 x 6mm² conductors.
- Use **C212** for bottom entry cable outlet.

| Description | Eaton list number White interior c/w white cover | White interior | Black interior | Decorative plate option | Metallic plate option | White cover |
|--|--|-------------------|-------------------|--------------------------------|----------------------------|-------------------|
| 13A fused connection unit | C220WH | C220 | C220B | CP220¹⁾ | CM220²⁾ | CP220WH |
| 13A fused connection unit + neon | C220NWH | C220N | C220NB | CP220N¹⁾ | CM220N²⁾ | CP220NWH |
| 13A fused switched connection unit | C221WH | C221 | C221B | CP221¹⁾ | CM221²⁾ | CP221WH |
| 13A fused switched connection unit 'refrigerator' | – | C221 | – | – | – | CP221RWH |
| 13A fused switched connection unit 'washing machine' | – | C221 | – | – | – | CP221WMMWH |
| 13A fused switched connection unit + neon | C221NWH | C221N | C221NB | CP221N | CM221N | CP221NWH |
| 13A fused switched connection unit + neon 'refrigerator' | – | C221N | C221NB | CP221NR¹⁾ | – | CP221NRWH |
| 13A fused switched connection unit + neon 'washing machine'– | – | C221N | C221NB | CP221NWM¹⁾ – | – | CP221NWMWH |

C212



Adaptor plate

| Description | Eaton list number |
|----------------------------|----------------------|
| Cable outlet adaptor plate | C212 |

¹⁾Plastic covers available in the following finishes

| Finish | add suffix to end of part number | Example of product code |
|-----------------|----------------------------------|-------------------------|
| White | WH | CP220WH |
| Metallic silver | SV | CP220SV |
| Gold metallic | GL | CP220GL |
| Black matt | BM | CP220BM |

²⁾Metal plates available in the following finishes

| Finish | add suffix to end of part number | Example of product code |
|-----------------|----------------------------------|-------------------------|
| Stainless steel | SS | CM220SS |
| Highly polished | HP | CM220HP |
| Satin bronze | SB | CM220SB |
| Polished brass | PB | CM220PB |

5.4

COPA clip-on plate accessory range

Power switches

C401NWH



20A switches

- To BSEN 60669-1.
- Minimum back box depth = 25mm.
- Use cable adaptor plate C212 for bottom entry cable outlet.

| Description | Eaton list number | | | Decorative plate option | Metallic plate option | White cover |
|--|--------------------------------|----------------|----------------|-----------------------------|-----------------------------|-----------------|
| | White interior c/w white cover | White interior | Black interior | | | |
| 20A DP switch + neon | C401NWH | C401N | C401NB | CP401N⁽¹⁾ | CM401N⁽²⁾ | CP401NWH |
| 20A DP control switch | C401WH | C401 | C401B | CP401⁽¹⁾ | CM401⁽²⁾ | CP401WH |
| 20A DP switch + neon marked 'water heater' | C403NWH | C401N | C401NB | – | CM403N⁽²⁾ | – |
| 20A DP switch marked 'water heater' | C403WH | C401 | C401B | CP403⁽¹⁾ | CM403⁽²⁾ | CP403WH |

C422NWH



50A switches

- Minimum back box depth = 47mm.
- To BSEN 60669-1.

| Description | Eaton list number | | | Decorative plate option | Metallic plate option | White cover |
|--|--------------------------------|----------------|----------------|-----------------------------|-----------------------------|-----------------|
| | White interior c/w white cover | White interior | Black interior | | | |
| 50A DP switch + neon | C421NWH | C421N | C421NB | CP421N⁽¹⁾ | CM421N⁽²⁾ | CP421NWH |
| 50A DP switch + neon 1G plate size | C422NWH | C422N | C422NB | CP422N⁽¹⁾ | CM422N⁽²⁾ | CP422NWH |
| 50A DP switch + neon 'cooker' | – | C421N | C421NB | CP423N⁽¹⁾ | CM423N⁽²⁾ | – |
| 50A DP switch + neon 'air conditioner' | – | C421N | C421NB | – | CM424N⁽²⁾ | – |

C425NWH



45A switches

- Minimum back box depth = 47mm.
- To BS 4177.

| Description | Eaton list number | | | Decorative plate option | Metallic plate option | White cover |
|-----------------------------------|--------------------------------|----------------|----------------|-----------------------------|-----------------------------|-----------------|
| | White interior c/w white cover | White interior | Black interior | | | |
| 45A DP cooker control unit | C425WH | C425 | C425B | CP425⁽¹⁾ | CM425⁽²⁾ | CP425WH |
| 45A DP cooker control unit + neon | C425NWH | C425N | C425NB | CP425N⁽¹⁾ | CM425N⁽²⁾ | CP425NWH |

¹Plastic covers available in the following finishes

| Finish | add suffix to end of part number | Example of product code |
|-----------------|----------------------------------|-------------------------|
| White | WH | CP401WH |
| Metallic silver | SV | CP401SV |
| Gold metallic | GL | CP401GL |
| Black matt | BM | CP401BM |

²Metal plates available in the following finishes

| Finish | add suffix to end of part number | Example of product code |
|-----------------|----------------------------------|-------------------------|
| Stainless steel | SS | CM401SS |
| Highly polished | HP | CM401HP |
| Satin bronze | SB | CM401SB |
| Polished brass | PB | CM401PB |

CP392SV



Blank plates

- Minimum back box depth = 16mm.

| Description | Eaton list number | | | Decorative plate option | Metallic plate option | White cover |
|----------------|--------------------------------|----------------|----------------|----------------------------|----------------------------|----------------|
| | White interior c/w white cover | White interior | Black interior | | | |
| 1G blank plate | C391WH | C391 | – | CP391 ¹⁾ | CM391 ²⁾ | CP391WH |
| 2G blank plate | C392WH | C392 | – | CP392 ¹⁾ | CM392 ²⁾ | CP392WH |

¹⁾Plastic covers available in the following finishes

| Finish | add suffix to end of part number | Example of product code |
|-----------------|----------------------------------|-------------------------|
| White | WH | CP391WH |
| Metallic silver | SV | CP391SV |
| Gold metallic | GL | CP391GL |
| Black matt | BM | CP391BM |

²⁾Metal plates available in the following finishes

| Finish | add suffix to end of part number | Example of product code |
|-----------------|----------------------------------|-------------------------|
| Stainless steel | SS | CM391SS |
| Highly polished | HP | CM391HP |
| Satin bronze | SB | CM391SB |
| Polished brass | PB | CM391PB |

5.6

COPA clip-on plate accessory range

Communication outlets

C362



Telephone outlets

- Minimum back box depth = 25mm.

Description

| Description | Eaton list number | | | | | |
|-------------------------------|-----------------------------------|-------------------|-------------------|----------------------------|----------------------------|----------------|
| | White interior c/w white cover | White interior | Black interior | Decorative plate option | Metallic plate option | White cover |
| 1G telephone outlet master | C360WH | C360 | C360B | CP360⁽¹⁾ | CM360⁽²⁾ | CP360WH |
| 1G telephone outlet secondary | C361WH | C361 | C361B | CP360⁽¹⁾ | CM360⁽²⁾ | CP360WH |
| 1G telephone outlet RJ11 | – | C362 | C362B | CP360⁽¹⁾ | CM360⁽²⁾ | CP360WH |
| 1G RJ45 CAT 6 outlet | C363WH | C363 | C363B | CP360⁽¹⁾ | CM360⁽²⁾ | CP360WH |

C351B



TV co-axial outlets

- To BS3041-2.
- Minimum back box depth = 25mm.

Description

| Description | Eaton list number | | | | | |
|-----------------------|-----------------------------------|-------------------|-------------------|----------------------------|----------------------------|----------------|
| | White interior c/w white cover | White interior | Black interior | Decorative plate option | Metallic plate option | White cover |
| 1G TV co-axial outlet | C351WH | C351 | C351B | CP351⁽¹⁾ | CM351⁽²⁾ | CP351WH |
| 2G TV co-axial outlet | C352WH | – | – | CP352⁽¹⁾ | CM352⁽²⁾ | CP352WH |

CP351GL



C351B + CP351GL



C353WH



TV/FM/radio and satellite outlets

- To BS 6312: 2.2.
- Minimum back box depth = 25mm.

Description

| Description | Eaton list number | | | | | |
|-----------------------------------|-----------------------------------|-------------------|-------------------|----------------------------|----------------------------|----------------|
| | White interior c/w white cover | White interior | Black interior | Decorative plate option | Metallic plate option | White cover |
| 1G TV/FM isolated co-axial outlet | C353WH | – | – | CP351⁽¹⁾ | CM351⁽²⁾ | CP351WH |
| 2G TV/FM diplexer co-axial outlet | C354WH | C354 | – | CP352⁽¹⁾ | CM352⁽²⁾ | CP352WH |
| 1G Satellite outlet | C355WH | C355 | C355B | CP351⁽¹⁾ | CM351⁽²⁾ | CP351WH |
| 2G TV/Satellite outlet | C356WH | – | C356B | CP352⁽¹⁾ | CM352⁽²⁾ | CP352WH |

¹Plastic covers available in the following finishes

| Finish | add suffix to end of part number | Example of product code |
|-----------------|----------------------------------|-------------------------|
| White | WH | CP360WH |
| Metallic silver | SV | CP360SV |
| Gold metallic | GL | CP360GL |
| Black matt | BM | CP360BM |

²Metal plates available in the following finishes

| Finish | add suffix to end of part number | Example of product code |
|-----------------|----------------------------------|-------------------------|
| Stainless steel | SS | CM360SS |
| Highly polished | HP | CM360HP |
| Satin bronze | SB | CM360SB |
| Polished brass | PB | CM360PB |

C903WH



Modular plates

- Minimum back box depth = 35mm.
- For modules, please refer to PREMERA mix section – see page 39.

| Description | Eaton list number White interior c/w white cover ³⁾ | White interior ³⁾ | Black interior ³⁾ | Decorative plate option ⁴⁾ | Metallic plate option ⁴⁾ | White cover ⁴⁾ |
|-----------------|--|------------------------------|------------------------------|--|--|------------------------------|
| 1 module plate | C901WH | C901 | C901B | CP901 ¹⁾ | CM901 ²⁾ | CP901WH |
| 2 module plate | C902WH | C902 | C902B | CP902 ¹⁾ | CM902 ²⁾ | CP902WH |
| 3 module plate | C903WH | C903 | C903B | CP903 ¹⁾ | CM903 ²⁾ | CP903WH |
| 4 module plate | C904WH | C904 | C904B | CP904 ¹⁾ | CM904 ²⁾ | CP904WH |
| 6 module plate | C906WH | C906 | C906B | CP906 ¹⁾ | CM906 ²⁾ | CP906WH |
| 8 module plate | C908WH | C908 | C908B | CP908 ¹⁾ | CM908 ²⁾ | CP908WH |
| 12 module plate | – | C912 | C912B | CP912 ¹⁾ | CM912 ²⁾ | CP912WH |
| 18 module plate | – | C918 | C918B | CP918 ¹⁾ | CM918 ²⁾ | CP918WH |
| 24 module plate | – | C924 | C924B | CP924 ¹⁾ | CM924 ²⁾ | CP924WH |

³⁾ Supplied with mounting frames/earth bars

⁴⁾ Covers only

PREMERA mix plate dimensions

| | 1 gang | 2 gang | 3 gang | 4 gang | 6 gang | 8 gang | 12 gang | 18 gang | 24 gang |
|-----------------------------------|----------------------------|----------------------------|----------------------------|----------------------------|----------------------------|----------------------------|----------------------------|----------------------------|----------------------------|
| PREMERA | | | | | | | | | |
| Eaton list number: | P901 | P902 | P903 | P904 | P906 | P908 | P912 | – | – |
| | P901GY | P902GY | P903GY | P904GY | P906GY | P908GY | – | – | – |
| Plate dimensions: | 86 x 86mm | 86 x 86mm | 146 x 86mm | 146 x 86mm | 146 x 150mm | 146 x 150mm | 146 x 210mm | – | – |
| COPA interiors | | | | | | | | | |
| Eaton list number: | C901 | C902 | C903 | C904 | C906 | C908 | C912 | C918 | C924 |
| | C901B | C902B | C903B | C904B | C906B | C908B | C912B | C918B | C924B |
| Plate dimensions: | 84 x 84mm | 84 x 84mm | 145 x 84mm | 145 x 84mm | 142 x 142mm | 142 x 142mm | 142 x 207mm | 203 x 207mm | 203 x 267mm |
| COPA & COPA fix plates | | | | | | | | | |
| Eaton list number: | C901WH | C902WH | C903WH | C904WH | – | – | – | – | – |
| | CP901 ¹⁾ | CP902 ¹⁾ | CP903 ¹⁾ | CP904 ¹⁾ | CP906 ¹⁾ | CP908 ¹⁾ | CP912 ¹⁾ | CP918 ¹⁾ | CP924 ¹⁾ |
| | CM901 ²⁾ | CM902 ²⁾ | CM903 ²⁾ | CM904 ²⁾ | CM906 ²⁾ | CM908 ²⁾ | CM912 ²⁾ | CM918 ²⁾ | CM924 ²⁾ |
| | B901SS | B902SS | B903SS | B904SS | B906SS | B908SS | B912SS | B918SS | B924SS |
| Plate dimensions: | 87 x 87mm | 87 x 87mm | 148 x 87mm | 148 x 87mm | 146 x 150mm | 146 x 150mm | 146 x 210mm | 206 x 210mm | 206 x 270mm |
| Xtra plates | | | | | | | | | |
| Eaton list number: | X901MG | X902MG | X903MG | X904MG | X906MG | X908MG | X912MG | X918MG | X924MG |
| Plate dimensions: | 86 x 86mm | 86 x 86mm | 148 x 87mm | 148 x 87mm | 137 x 137mm | 137 x 137mm | 137 x 195mm | 200 x 198mm | 198 x 257mm |

¹⁾Plastic covers available in the following finishes

| Finish | add suffix to end of part number | Example of product code |
|-----------------|----------------------------------|-------------------------|
| White | WH | CP901WH |
| Metallic silver | SV | CP901SV |
| Gold metallic | GL | CP901GL |
| Black matt | BM | CP901BM |

²⁾Metal plates available in the following finishes

| Finish | add suffix to end of part number | Example of product code |
|-----------------|----------------------------------|-------------------------|
| Stainless steel | SS | CM901SS |
| Highly polished | HP | CM901HP |
| Satin bronze | SB | CM901SB |
| Polished brass | PB | CM901PB |



The COPA style of plate has been extended to offer an alternative to the 'clip-on' plate by offering the same plate profile with it's stylish good looks but with a fixed plate, rather than just a 'clip-on' option.

COPA fix offers a solution in situations where it is more desirable to have screw fixed plates in applications such as schools and public places.

- 6.1 SWITCHES**
 - 10A switches/architrave 68
 - 3 Pole fan isolator switches 68
- 6.2 SOCKET OUTLETS**
 - 13A switched sockets 69
 - Unswitched sockets 69
 - Shaver socket 69
- 6.3 CONNECTION UNITS**
 - 13A connection units – unswitched/switched 70
- 6.4 POWER SWITCHES**
 - 20A switches 71
 - 45A/50A switches 71
- 6.5 BLANK PLATES**
 - Blank plates 72
- 6.6 COMMUNICATION OUTLETS**
 - Communication outlets 73
- 6.7 PREMIERA MIX MODULE PLATES**
 - Modular plates/grids 74

B022SS

**10A switches**

- To BSEN60669-1.

Description
Eaton list number
Stainless steel

10A 1G 1W retractive switch bell push symbol

B015SS

10A intermediate switch

B017SS

10A 1G 2W switch

B021SS

10A 2G 2W switch

B022SS

10A 3G 2W switch

B023SS

B048SS

**10A broad rocker switches**

- To BSEN60669-1.

Description
Eaton list number
Stainless steel

10A 3-pole broad fan isolator + fan symbol

B048SS

B621SS



13A switched sockets

- To BS1363 Part 2.

| Description | Eaton list number Stainless steel |
|---|--------------------------------------|
| 13A 1G DP switched socket 2E terminals | B621SS |
| 13A 2G DP switched socket 2E terminals | B622SS |
| 13A 1G DP switched socket 2E terminals + neon | B621NSS |
| 13A 2G DP switched socket 2E terminals + neon | B622NSS |

B621RRSS



13A switched sockets – red rockers

- To BS1363 Part 2.

| Description | Eaton list number Stainless steel |
|--|--------------------------------------|
| 13A 1G DP switched socket 2E terminals – red rockers | B621RRSS |
| 13A 2G DP switched socket 2E terminals – red rockers | B622RRSS |

B632SS



13A switched sockets outboard rockers

- To BS1363 Part 2.

| Description | Eaton list number Stainless steel |
|---|--------------------------------------|
| 13A 2G DP switched socket 2E terminals – outboard rockers | B632SS |

B652SS



13A switched sockets outboard rockers non-standard

- To BS 5733.
- With clean earth facility.

| Description | Eaton list number Stainless steel |
|--|--------------------------------------|
| 13A 1G DP switched socket 2E terminals – non-standard outboard rockers | B651SS |
| 13A 2G DP switched socket 2E terminals – non-standard outboard rockers | B652SS |

B111SS



13A unswitched sockets

- To BS1363 Part 2.

| Description | Eaton list number Stainless steel |
|--------------------------|--------------------------------------|
| 13A 1G unswitched socket | B111SS |
| 13A 2G unswitched socket | B112SS |

B370SS



Shaver socket

- To BSEN61558-2-5.

| Description | Eaton list number Stainless steel |
|---------------------------------------|--------------------------------------|
| Shaver socket dual voltage 230V 115AC | B370SS |

B221NSS

**13A connection units**

- To BS1363 Part 4.
- Use **C212** for bottom entry cable outlet.

DescriptionEaton list number
Stainless steel

13A unswitched connection unit + neon

B220NSS

13A unswitched connection unit

B220SS

13A switched fused connection unit + neon

B221NSS

13A switched fused connection unit

B221SS

B401NSS



20A switches

- To BSEN60669-1.
- Use **C212** for bottom entry cable outlet.

| Description | Eaton list number Stainless steel |
|--|--------------------------------------|
| 20A DP switch + neon | B401NSS |
| 20A DP switch | B401SS |
| 20A DP switch + neon marked 'water heater' | B403NSS |

B422NSS



45A/50A switches

| Description | Eaton list number Stainless steel |
|--|--------------------------------------|
| 50A DP switch + neon – 2 gang plate size | B421NSS¹⁾ |
| 50A DP switch + neon | B422NSS¹⁾ |
| 45A DP cooker control unit + neon | B425NSS²⁾ |
| 50A DP switch + neon marked 'cooker' | B426NSS¹⁾ |

¹⁾ To BSEN60669-1.

²⁾ To BS 4177:1992 (2004).

B392SS

**Blank plates****Description****Eaton list number**
Stainless steel

1G blank plate

B391SS

2G blank plate

B392SS

B351SS



Communication outlets

Description

Eaton list number
Stainless steel

1G TV co-axial outlet

B351SS

B902SS

**PREMERA mix module plates**

- To BS5733.
- **B906–B924** are plates only. **C906–C924** interior frames are also required.

Description**Eaton list number
Stainless steel**

| Description | Eaton list number Stainless steel |
|---|--------------------------------------|
| 1 module cover plate c/w mounting frame | B901SS |
| 2 module cover plate c/w mounting frame | B902SS |
| 3 module cover plate c/w mounting frame | B903SS |
| 4 module cover plate c/w mounting frame | B904SS |
| 6 module cover plate (2 banks) | B906SS |
| 8 module cover plate (2 banks) | B908SS |
| 12 module cover plate (3 banks) | B912SS |
| 18 module cover plate (3 banks) | B918SS |
| 24 module cover plate (4 banks) | B924SS |



The perfect choice for a variety of industrial and commercial projects. The XTRA range of rugged and tough surface metalclad accessories are produced from high quality steel with an epoxy powder coating for corrosion resistance.

| | | |
|------------|--|----|
| 7.1 | SWITCHES | |
| | 10A switches | 76 |
| | 3 Pole isolator switches | 76 |
| | 10A broad rocker switches | 76 |
| | 20A/50A double pole switches | 76 |
| 7.2 | SOCKET OUTLETS | |
| | 13A unswitched sockets | 77 |
| | 13A double pole switched sockets inboard rockers | 77 |
| | 13A 2G double pole switched sockets outboard rockers | 77 |
| | 13A 1G/2G double pole non-standard/clean earth switched sockets | 77 |
| | 13A RCD socket | 77 |
| | 15A sockets | 78 |
| 7.3 | FUSED CONNECTION UNITS | |
| | 13A fused connection units – unswitched | 79 |
| | 13A fused connection units – switched | 79 |
| | 13A fused connection units with red rockers/fuse drawers with optional cable outlets | 79 |
| 7.4 | PREMERA MIX MODULE PLATES AND BLANK PLATES | |
| | Modular plates/grids | 80 |
| | Blank plates | 80 |

X022MG

**10A switches**

- To BSEN 60669-1.
- Supplied with M3.5 fixing screws. Each terminal is capable of accepting up to 3 x 1.5mm² conductors. All terminals are backed off, ready to accept cable. X-rated for fluorescent or inductive loads.

| Description | Eaton list number |
|---------------------|-------------------|
| 10A 1G 2 way | X021MG |
| 10A 2G 2 way | X022MG |
| 10A 3G 2 way | X023MG |
| 10A 1G intermediate | X017MG |

X048MG

**3 pole isolator switches**

- To BSEN 60669-1.
- Supplied with M3.5 fixing screws. Each terminal is capable of accepting up to 3 x 1.5mm² conductors. All terminals are backed off, ready to accept cable. X-rated for fluorescent or inductive loads.

| Description | Eaton list number |
|-------------------------------------|-------------------|
| 10A broad fan isolator + fan symbol | X048MG |
| 10A broad fan isolator | X049MG |

X401NMG

**20A double pole switches**

- To BSEN 60669-1.
- Supply terminals accept 3 x 2.5mm² conductors. Load terminals accept 2 x 2.5mm² conductors.

| Description | Eaton list number |
|----------------------|-------------------|
| 20A DP switch | X401MG |
| 20A DP switch + neon | X401NMG |

X421NMG

**50A double pole switch**

- To BSEN 60669-1.

| Description | Eaton list number |
|------------------------------------|-------------------|
| 50A DP switch + neon (2 gang size) | X421NMG |

X111MG



13A unswitched socket outlets

- To BS 1363:Part 2.
- Terminals capable of accepting up to 3 x 4mm² or 2 x 6mm² conductors.

| Description | Eaton list number |
|--------------------------|-------------------|
| 13A 1G unswitched socket | X111MG |
| 13A 2G unswitched socket | X112MG |

X621MG



13A double pole switched sockets

- To BS 1363: Part 2.
- 2 earth terminals and inboard rockers.

| Description | Eaton list number |
|--|-------------------|
| 13A 1G DP switched socket with 2E terminals | X621MG |
| 13A 1G DP switched socket with 2E terminals + neon | X621NMG |
| 13A 1G DP switched socket with 2E terminals + red rocker | X621RRMG |
| 13A 2G DP switched socket with 2E terminals | X622MG |
| 13A 2G DP switched socket with 2E terminals + neon | X622NMG |
| 13A 2G DP switched socket with 2E terminals + red rocker | X622RRMG |

X632MG



13A 2G double pole switched sockets outboard rockers

- To BS 1363: Part 2.
- Terminals capable of accepting up to 3 x 4mm² or 2 x 6mm² conductors.
- 2 earth terminals and outboard rockers.

| Description | Eaton list number |
|---|-------------------|
| 13A 2G DP switched socket with 2E terminals | X632MG |
| 13A 2G DP switched socket with 2E terminals + red rockers | X632RRMG |

X651MG



13A 1G double pole non-standard/clean earth switched sockets

- Non-standard socket interface to BS 5733 with clean earth facility.

| Description | Eaton list number |
|---------------------------|-------------------|
| 13A 1G DP switched socket | X651MG |
| Non-standard plug top | F3368 |

X652MG



13A 2G double pole non-standard/clean earth switched sockets

- Non-standard socket interface to BS 5733 with clean earth facility.
- Outboard rockers.

| Description | Eaton list number |
|---|-------------------|
| 13A 2G DP switched socket with 2E terminals | X652MG |

X686MG



13A double pole RCD socket outlet – passive

- To BS 7288.
- Added protection against electrocution.
- Passive – the contacts on the passive device remain closed when the mains supply is interrupted – this type is suitable for applications such as fridge freezers etc.

| Description | Eaton list number |
|--|-------------------|
| 13A 2G RCD protected socket passive 30mA | X686MG |

X415MG

**15A socket outlet**

- To BS 546.

Description

15A 1G switched socket

**Eaton list
number****X415MG**

X220MG



13A fused connection units – unswitched

- To BS 1363: Part 4: 1995.
- Live and neutral terminals accept 2 x 4mm² cables.

| Description | Eaton list number |
|---------------------------------------|-------------------|
| 13A unswitched connection unit | X220MG |
| 13A unswitched connection unit + neon | X220NMG |

X221MG



13A fused connection units

- To BS 1363: Part 4: 1995.
- Live and neutral terminals accept 2 x 4mm².

| Description | Eaton list number |
|-------------------------------------|-------------------|
| 13A switched connection unit | X221MG |
| 13A switched connection unit + neon | X221NMG |

X220RRMG



13A fused connection units with red rockers/fuse drawers

- To BS 1363: Part 4: 1995.
- Live and neutral terminals accept up to 2 x 2.5mm² cables.
- Highlights essential supply circuits where extra safety is a vital consideration.
 - Hospitals
 - Hospitals
 - Computer installations
- Circuits can be quickly and easily identified.

| Description | Eaton list number |
|---|-------------------|
| 13A DP unswitched connection unit – red fuse drawer | X220RRMG |
| 13A DP switched connection unit – red rocker | X221RRMG |
| 13A DP switched connection unit – red rocker + neon | X221NRRMG |

7.4

XTRA surface metalclad PREMERA mix module plates and blank plates

X901MG



Modular coverplates – surface metalclad

- Suitable for use with PREMERA mix modules – see page 39.
- Dimensions: 1G–2G: 86mm x 86mm 3G–4G: 86mm x 146mm 6G–8G: 134mm x 134mm
9G–12G: 134mm x 195mm 18G: 195mm x 195mm 24G: 195mm x 256mm
- Surface mounting box:
1G–2G: **FM8340** 3G–4G: **FM8341** 6G–8G: **F8342** 12G: **F8343** (41mm deep with earth terminal).
18G: **F8344** 24G: **F8345** (56mm deep with earth terminal).

| Description | Eaton list number |
|--|-------------------|
| 1G module coverplate c/w earth bar | X901MG |
| 2G module coverplate c/w earth bar | X902MG |
| 3G module coverplate c/w earth bar | X903MG |
| 4G module coverplate c/w earth bar | X904MG |
| 6G module coverplate c/w mounting frame | X906MG |
| 8G module coverplate c/w mounting frame | X908MG |
| 12G module coverplate c/w mounting frame | X912MG |
| 18G module coverplate c/w mounting frame | X918MG |
| 24G module coverplate c/w mounting frame | X924MG |

X391MG



Blank plates

| Description | Eaton list number |
|----------------|-------------------|
| 1G blank plate | X391MG |
| 2G blank plate | X392MG |



CIRCA is a comprehensive range of white ceiling accessories, ideal for all project requirements. Tortuous path lampholders enable simple, speedier installation and pre-assembled pendant sets ensure maximum convenience.

8.1 CEILING RANGE

Lampholders 82

Battenholders 82

Ceiling roses 82

Pendant sets 82

Lampholder accessories 82

8.2 LAMP ACTIVATED RANGE

Lamp activated pendant set 83

Lamp activated battenholders 83

8.3 BC3 LOW ENERGY RANGE

BC3 low energy pendant sets 84

BC3 low energy battenholders 84

BC3 low energy lamps 84

8.4 CEILING SWITCHES

Ceiling switches 85

8.1

CIRCA ceiling range

Ceiling range

F1000



Lampholders

- To BSEN 61184-T2.
- 2A rated.
- Meets the T2 ratings requirements of specification which tests at 210°C lamp cap temperature.

Description

Eaton list number

Lampholder short skirt

F1000

F1091



Battenholders

- To BSEN 61184-T2

Description

Eaton list number

Batten lampholder 2T short skirt

F1025

Batten lampholder 3T&E HR leads home office skirt

F1091

F1200



Ceiling roses

- To BS 67
- 6A rated.
- Supplied with 332 terminal arrangement + 1 x 2 hole pillar terminal for earth conductors. Each pillar terminal will accept up to 3 x 1 x 1.5mm² conductors. Screw fixings are positioned to allow joist fixing with the central rear cable knock out accessible at the side of the joist or for use with a small circular BESA box.

Description

Eaton list number

Ceiling rose with 332 terminal block and E

F1200

F1250



Pendant set with F1000 lampholder

Description

Eaton list number

6" pendant assembly **F1000** and **F1200**

F1250

F5002



Lampholder accessories

Description

Eaton list number

Lampholder home office skirt

F5002

Lampholder short skirt

F5006

F1451



Lamp activated pendant set

- To BSEN 61184-T2.
- T2 rated. Plungers remain isolated until lamp is fully inserted. Live parts only accessible with tool. Incorporates switching mechanism.

| Description | Eaton list number |
|-------------------------------|-------------------|
| 6" lamp activated pendant set | F1450 |
| 9" lamp activated pendant set | F1451 |

F1491



Lamp activated battenholders

- To BSEN 61184-T2.
- T2 rated. Plungers remain isolated until lamp is fully inserted. Live parts only accessible with tool. Incorporates switching mechanism.
- 332 + earth terminal arrangement.

| Description | Eaton list number |
|---|-------------------|
| Lamp activated batten lampholder HR leads | F1491 |

8.3

CIRCA ceiling range

BC3 low energy range

F1260



BC3 low energy pendant sets

- Lampholders tested to BS 5733 and relevant parts of BSEN 61184-T2.
- Will accept standard UK 29mm diameter shade ring and require no adjustment.

| Description | Eaton list number |
|--|-------------------|
| BC3 pendant set for low energy lamps 4" drop | F1260 |
| BC3 pendant set for low energy lamps 6" drop | F1261 |

F1264



BC3 low energy battenholders

- Lampholders tested to BS 5733 and relevant parts of BSEN 61184-T2.

| Description | Eaton list number |
|--|-------------------|
| BC3 battenholder for low energy lamps | F1263 |
| BC3 angled battenholder for low energy lamps | F1264 |

F1267



BC3 low energy lamps

- Lamps to IEC 60969.

| Description | Eaton list number |
|---|-------------------|
| BC3 20W TT low energy CFL lamp 'warm white' | F1267 |

Product specification

| Eaton list number | Lamp life (hrs) | Lumens | Lumens per Watt | Energy category |
|-------------------|-----------------|--------|-----------------|-----------------|
| F1267 | 8000 | 1200 | 60 | A |

F1340



Ceiling switches

- To BSEN 60669-1.
- Dimensions: **F1340** – 86mm x 86mm, Fixing centres – 60.3mm – **F1350/F1351** – 85mm diameter.
- Mounting box: **F4570**.
- 6A ceiling switches, each terminal is capable of accepting up to 3 x 1.5mm² conductors.

| Description | Eaton list number |
|--|-------------------|
| 50A DP ceiling pull switch c/w neon and flag indicator | F1340 |
| 6A 1 way ceiling switch | F1350 |
| 6A 2 way ceiling switch | F1351 |
| Pull cord and acorn for F1350, F1351, F1340 | F1350PC |



The BS 7001 LSC (Luminaire Supporting Coupler) system is recognised as the industry standard interface, offering complete changeability with other manufacturers' products. Both the 3 and 4 pin LSC systems provide considerable benefits for the specifier, contractor and end user.

9.1 LSC PLUG-IN LIGHTING SYSTEM

| | |
|---------------------------------|----|
| LSC ceiling assembly..... | 88 |
| LSC ceiling outlet..... | 88 |
| 3 pin system LSC plug..... | 88 |
| LSC ceiling rose covers | 88 |
| 4 pin LSC ceiling outlets | 89 |
| 4 pin system LSC plugs..... | 89 |

9.2 LDU SYSTEM

| | |
|---|----|
| 6G/8G/10G/12G LDU multi-outlet boxes..... | 90 |
| 3 pin and 4 pin plugs..... | 90 |

F8501



LSC ceiling assembly

- BS 6972: 1988 and BS 7001: 1998.
- Rated 6A with outlets capable of installation on a 16A lighting circuit.
- Coupler supports loads up to 5kg.
- Base terminals will accept 2 x 4.0mm² incoming cables.
- Heat resisting cable is to BS 6141.
- Fixing centres 50.8mm.

F8570



Description

Eaton list number

| | |
|--|--------------|
| 3 pin LSC ceiling assembly (ceiling outlet, plug, cover) | F8501 |
| 3 pin assembly c/w 2 mtrs 0.75mm ² HR (heat resistant) cable | F8570 |
| 3 pin assembly c/w 2 mtrs 1.00mm ² HR (heat resistant) cable | F8571 |
| 3 pin assembly c/w 3 mtrs 0.75mm ² HR (heat resistant) cable | F8572 |
| 3 pin assembly c/w 3 mtrs 1.00mm ² HR (heat resistant) cable | F8573 |
| 3 pin assembly c/w 2 mtrs 0.75mm ² LSF (low smoke and fume) cable | F8580 |
| 3 pin assembly c/w 2 mtrs 1.00mm ² LSF (low smoke and fume) cable | F8581 |
| 3 pin assembly c/w 3 mtrs 0.75mm ² LSF (low smoke and fume) cable | F8582 |
| 3 pin assembly c/w 3 mtrs 1.00mm ² LSF (low smoke and fume) cable | F8583 |
| 3 pin assembly c/w 1 mtr 1.00mm ² LSF (low smoke and fume) cable | F8584 |

F8502



LSC ceiling outlet

- To BS 6972: 1988 and BS 7001: 1988.
- Large outlet terminals will take up to 2 x 4.0mm² cable.
- Flush mounting box for F8502 is a standard BESA circular box (27mm deep).

Description

Eaton list number

| | |
|--------------------------|--------------|
| 3 pin LSC ceiling outlet | F8502 |
|--------------------------|--------------|

F8540



3 pin system LSC plug

- To BS 6972: 1988 and BS 7001: 1988.

Description

Eaton list number

| | |
|----------------------------|--------------|
| 3 pin LSC re-wireable plug | F8540 |
|----------------------------|--------------|

F8534



Ceiling LSC covers

- Ceiling cover provide extra protection for the outlets.
- Red covers allow for easy identification of a 4 pin circuit.

Description

Eaton list number

| | |
|----------------------------|--------------|
| Ceiling rose cover – white | F8534 |
| Ceiling rose cover – red | F8535 |

F8602



4 pin LSC ceiling outlets

- Red plug allows easy identification of a 4 pin circuit.
- Height: 46mm, diameter 85mm.
- Rated 6A with outlets capable of installation on a 16A lighting circuit.
- Coupler supports loads up to 5kg.

F8671



- Outlet terminals will accept 2 x 4.0mm² incoming cables.
- Heat resisting cable attached is to BS 6141.
- Fixing centres 50.8mm.

Description

Eaton list number

| | |
|--|--------------|
| 4 pin LSC ceiling assembly (ceiling outlet, plug, cover) | F8601 |
| 4 pin LSC ceiling outlet | F8602 |
| 4 pin LSC ceiling assembly with red ceiling rose cover | F8603 |
| 4 pin assembly c/w 2mtrs 0.75mm ² HR (heat resistant) cable | F8670 |
| 4 pin assembly c/w 2 mtrs 1.00mm ² HR (heat resistant) cable | F8671 |
| 4 pin assembly c/w 3 mtrs 1.00mm ² HR (heat resistant) cable | F8672 |
| 4 pin assembly c/w 2 mtrs 1.00mm ² LSF (low smoke and fume) cable | F8681 |
| 4 pin assembly c/w 3 mtrs 1.00mm ² LSF (low smoke and fume) cable | F8682 |
| 4 pin assembly c/w 1 mtr 1.00mm ² LSF (low smoke and fume) cable | F8684 |

F8641



4 pin system LSC plugs

- To BS 6972: 1988 and BS 7001: 1988.

Description

Eaton list number

| | |
|--|--------------|
| 4 pin LSC re-wireable plug – white cover | F8641 |
| 4 pin LSC re-wireable plug – red cover | F8640 |

F8640



LDU6

**LDU multi-outlet boxes**

- To BS 5733.
- Large outlet terminals will take up to 2 x 2.5mm² incoming cables.
- Dimensions: 6/8 LDU Length: 255mm, width: 168mm, depth: 58mm.
10/12 LDU Length: 255mm, width: 247mm, depth: 58mm.
- Removable links allow each row to be switched separately.

| Description | Eaton list number |
|-----------------------------|-------------------|
| 6G LSC outlet unit – 4 pin | LDU6 |
| 8G LSC outlet unit – 4 pin | LDU8 |
| 10G LSC outlet unit – 4 pin | LDU10 |
| 12G LSC outlet unit – 4 pin | LDU12 |

FP320

**3 pin plugs c/w cable**

- 3 pin = live, neutral and earth.

| Description | Eaton list number |
|--|-------------------|
| 3 pin plug c/w 2 mtrs HR (heat resistant) 0.75mm ² cable | FP320 |
| 3 pin plug c/w 3 mtrs HR (heat resistant) 0.75mm ² cable | FP330 |
| 3 pin plug c/w 4 mtrs HR (heat resistant) 0.75mm ² cable | FP340 |
| 3 pin plug c/w 3 mtrs HR (heat resistant) 1.00mm ² cable | FP331 |
| 3 pin plug c/w 5 mtrs HR (heat resistant) 1.00mm ² cable | FP351 |
| 3 pin plug c/w 3 mtrs LSF (low smoke and fume) 1.00mm ² cable | FL331 |
| 3 pin plug c/w 5 mtrs LSF (low smoke and fume) 1.00mm ² cable | FL351 |

FP421

**4 pin plugs c/w cable**

- 4 pin = live, neutral, earth and separate live connection for emergency pack equipped luminaires.

| Description | Eaton list number |
|--|-------------------|
| 4 pin plug c/w 2 mtrs HR (heat resistant) 1.00mm ² cable | FP421 |
| 4 pin plug c/w 3 mtrs HR (heat resistant) 1.00mm ² cable | FP431 |
| 4 pin plug c/w 5 mtrs HR (heat resistant) 1.00mm ² cable | FP451 |
| 4 pin plug c/w 3 mtrs LSF (low smoke and fume) 1.00mm ² cable | FL431 |
| 4 pin plug c/w 4 mtrs LSF (low smoke and fume) 1.00mm ² cable | FL441 |
| 4 pin plug c/w 5 mtrs LSF (low smoke and fume) 1.00mm ² cable | FL451 |



Suitable for residential and light commercial applications, Eaton's xComfort RF product range has been specifically designed to provide centralised control of all the electrical equipment in order to maximise energy savings, comfort, safety and security.

- Ideal for new construction and renovation projects
- Numerous functions available e.g. control of lights, blinds, heating, ventilation etc. including status display
- Control by wireless switches, remote control, smart phones and tablets
- Simple to install within an existing installation, no chiselling, no mess, minimal wiring
- Suitable for a wide range of applications, can easily be expanded
- Matches a wide range of wiring accessories and switches
- Little wiring required

| | | |
|------|---|--------|
| 10.1 | PRODUCT OVERVIEW | 92 |
| 10.2 | SYSTEM OVERVIEW | 93 |
| 10.3 | BASIC MODE COMPONENTS | 94-97 |
| 10.4 | COMFORT MODE OVERVIEW AND COMPONENTS | 98-100 |

System components include sensors, actuators and control/communication devices.



Switching actuator

switches lights, pumps, ventilation and heating systems, saunas, ... any electrical consumer product.



Shutter actuator

for controlling blinds, shutters, mixing valves, etc.



Dimming actuator

switches and dims lights and light environments.



Router

redirects information when direct transmission is not possible.



Temperature input unit

measures temperature and controls shading and heating.



Smart home controller

centrally operating and report via smart phones and tablets.



Room manager

the operating and display unit – easy to handle and easy to read.



Room controller

regulates and controls heating and shading.



Binary input unit

for integrating conventional switches, window contacts, and signal contacts.



Push-button unit

for lighting, shading, etc.



PIR motion sensor

controls lights depending on movement and brightness.



Adaptor plug

switches and dims living room fountains, aquaria, etc.



Remote control

controls lights, shading and other electrical consumer products.



Analogue actuator

controls devices such as mixers, dimmers and fluorescent lamps.



Analogue input

receives data from universal sensors for further processing.



Sensors

receive different information, with alarm option.

xComfort's flexibility and intelligence makes it a powerful tool... particularly when it comes to saving energy. All the key influences, such as interior and exterior temperatures, light levels and room occupancy, can be taken into account automatically to provide exceptionally efficient and sophisticated control over lighting, heating and air-conditioning.

As well as having a wide range of applications for commercial premises, xComfort can be used to provide a high degree of home automation, including pre-programmed lighting schemes for living areas and bedrooms, timed operation of television and lights to deter burglars, and automatic operation of window blinds.

xComfort bi-directional technology:

Making it significantly more reliable than uni-directional communication.

Without battery (uni-directional)

The switch will work on a self-powered basis, only sending a signal when the switch is pushed. The actuator can receive a command, but it cannot send one back to say that the command has been obeyed. Therefore, if errors occur, or a signal is poor, there is nothing in place to ensure that the commands are always completed.

With battery (bi-directional)

- The switch uses the battery power to send a command to the actuator; the actuator receives the signal and carries out the command; it then sends confirmation to the switch.
- If for any reason (for instance, technical error or poor signal) the command is not received by the actuator, the intelligence of the bi-directional system allows the switch to automatically resend the command twice more within a split second.
- If the actuator has still not completed the command after three attempts, the mesh network enables other actuators within the building to route and complete the task, ensuring that all commands are always fulfilled as long as the installation was done in comfort mode.

The xComfort system can be set up in two main ways – "basic mode" or "comfort mode":

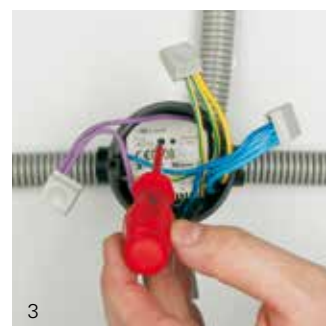
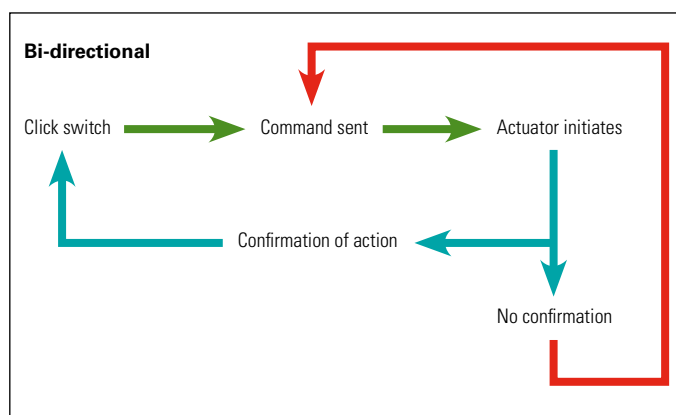
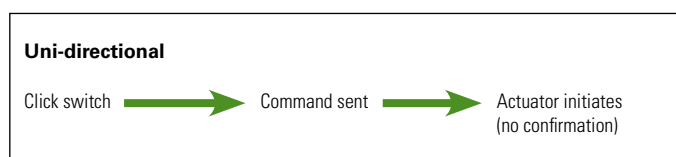
Basic mode

This is ideal for straightforward installations. The functions of the devices can be assigned by just activating the programming key and the corresponding push-button, a simple procedure that requires no complicated tools – all that is needed is a small screwdriver.

Three simple steps

1. Press the configuration button on the actuator with a screwdriver for less than 0.5 seconds. Actuator enters teaching mode. LED in the actuator is on.
2. Press the selected pushbutton for less than 0.5 sec. The LED in the assigned actuator flashes twice for confirmation.
3. Press the configuration button on the actuator with a screwdriver for less than 0.5 seconds. Actuator leaves teaching mode.

- Ideal for new construction and renovation.
- Numerous functions, such as controlling lights, blinds, heating, ventilation, etc. including status display.
- Control by wireless switch, remote control and mobile phone.
- Simple installation within an existing installation system, no chiselling, no mess, no additional wiring.
- Suitable for a wide range of applications, can easily be expanded.
- Matches a wide range of accessories and switches.
- Little wiring required.



F9401



RF pushbuttons – 1, 2, & 4 channel

When pressed, the RF push-button sends signals to the actuators of the xComfort system. No distinction is required between a shutter, dimmer, etc. or a two-way, intermediate or shutters/blinds switch. The device is powered by a coin cell. Therefore, it can be conveniently attached (screw-mounted or glued) wherever needed. Thanks to the very flat design, NO switch or installation box is required, although may be used for convenience.

Frames are available in a wide variety of designs and finishes (see PREMERA mix section).

The battery is included in the scope of delivery.

F9404



Description

Eaton list number

| | |
|---|-------------------|
| 1 gang PREMERA RF push button module | F9401 |
| 2 gang PREMERA RF push button module | F9402 |
| 4 gang PREMERA RF push button module | F9404 |
| PREMERA surface mounting RF module plate | F9400 |
| Spare battery for module 3V CR2430 | CBTZ-00/01 |

CSAU-01/01-10



RF switching actuator

This generation of switching actuators is characterised particularly by its small dimensions, high switching performance and extended functionality. Due to the hybrid switching technology this switching actuator can switch a variety of devices/systems such as lighting, ventilation, heating, alarm systems, etc. It can be directly controlled by switches, sensors and smart devices.

The device can easily be mounted in installation boxes for switches, branch-off boxes or standard installation boxes, or directly inside the cover of the light fixture.

• Local input sensor 230VAC

The extra local input sensor gives the opportunity to use the existing or any market available switch directly in combination with the actuator without the need for additional components. It can also be used with existing motion sensors. Like a standard binary input device this input can also be assigned to other devices to send switching signals.

• Integrated energy measurement with load fault indication

The internal energy sensor is used to measure and record the energy consumption of the connected load. Like a standard energy measurement sensor it can be assigned directly to a smart device like the smart home controller to monitor and manage the power (W) and energy (kWh) consumption. The additional load error detection status can be used to signal a failure of the switched load based on a load beneath the definable minimum consuming power. Please note: The device is not calibrated, it is therefore not suitable for invoicing purposes!

• Extended status messaging (routable)

This device supports the extended status messaging format for high status reliability and additional status information in combination with smart devices like the smart home controller.

RF switching actuator 10A

Description

Eaton list number

| | |
|---|------------------------|
| 10A/230VAC Basic | CSAU-01/01-10 |
| 10A/230VAC Local input | CSAU-01/01-10I |
| 10A/230VAC Local input + energy measurement | CSAU-01/01-10IE |

RF switching actuator 16A

Description

Eaton list number

| | |
|---|------------------------|
| 16A/230VAC Basic | CSAU-01/01-16 |
| 16A/230VAC Local input | CSAU-01/01-16I |
| 16A/230VAC Local input + energy measurement | CSAU-01/01-16IE |

WARNING!

CSAU-01/01-16, CSAU-01/01-16I, CSAU-01/01-16IE:

This device must be installed inside a mounting box (complying to EN60670) and behind an accessory or blank plate that uses at least 2 screw fixing points to secure it to the mounting box. Failure to do so could result in a fire hazard or electric shock under extreme external fault conditions.

CSAU-01/02



RF switching actuator – potential-free

RF receiver for switching power devices (lighting, heating, etc) rated at 8A/230VAC/24VDC – potential free 2 pole switching

| Description | Eaton list number |
|-------------|-------------------|
| 8A/230VAC | CSAU-01/02 |

CSAU-01/03



RF switching actuator – all-pole

RF receiver for switching power devices (lighting, heating, etc) rated at 8A/230VAC – 2 pole switching

| Description | Eaton list number |
|-------------|-------------------|
| 8A/230VAC | CSAU-01/03 |

CSAP-01/03



RF switching actuator adaptor plug

The switching actuator adaptor plug receives signals and controls devices such as floor-standing lamps, fans, audio and video appliances, living room fountains, aquaria, etc. It is mains-supplied, can be plugged into an existing wall outlet and does not require any wiring work.

| Description | Eaton list number |
|-------------|-------------------|
| 8A/230VAC | CSAP-01/03 |

CDAU-01/02



RF dimming actuator

The dimming actuator receives signals and switches/dims incandescent lamps and electronic transformers for low-voltage halogen lamps (DO NOT USE inductive loads!).

| Description | Eaton list number |
|-------------|-------------------|
| 250W/230VAC | CDAU-01/02 |

CDAU-01/04



Smart RF dimming actuator – enclosed and flush

This new generation of flush dimming actuators is characterised particularly by its small dimensions, robustness, reduced power consumption and extended functionality. Due to the smart dimming technology, this dimming actuator can dim a large variety of loads without flickering, flashing, LED glow or audible noise. It dims even the smallest LED load, starting from 0W and is easy to select or define a dim profile for the best performance. It is also capable of switching non-dimmable loads (On/Off). It can be directly controlled by switches, sensors and smart devices and is short circuit, overload and over temperature protected. This device can easily be mounted in installation boxes for switches, standard installation boxes, or directly inside the cover of the light fixture. Also available in enclosed format.

• Local input sensor 230VAC

The two extra local input sensor connections give the opportunity to use any market available push switch directly in combination with the actuator. It can be used in single or dual push switch mode. In single push switch mode the second input can be used to control a second actuator. Ideal for use with existing motion sensors. As with any standard binary input device the inputs can also be assigned to other devices for switching purposes.

• Integrated energy measurement with load fault indication

The internal “Energy Sensor” is used to measure and record the energy consumption of the connected load. Like a standard energy measurement sensor it can be assigned directly to a smart device like the smart home controller to monitor and manage the power (W) and energy (kWh) consumption. The additional load error detection status can be used to signal a failure of the switched load based on the load dropping beneath the definable minimum power level.

Please note: The device is not calibrated and is therefore not suitable for invoicing purposes!

• Extended status messaging (routable)

This device supports the extended status messaging format for high status reliability and additional status information in combination with smart devices like the smart home controller.

| Description | Eaton list number |
|--|-------------------|
| 0 - 250W/230VAC Basic Enclosed | CDAE-01/04 |
| 0 - 500W/230VAC Binary input Enclosed | CDAE-01/05-I |
| 0 - 500W/230VAC Energy measuring sensor Enclosed | CDAE-01/05-E |
| 0 - 250W/230VAC Basic Flush | CDAU-01/04 |
| 0 - 250W/230VAC Binary input Flush | CDAU-01/04-I |
| 0 - 250W/230VAC Energy measuring sensor Flush | CDAU-01/04-E |

CDAE-01/04



CDAE-01/01

**RF dimming actuator – enclosed**

The dimming actuator receives signals and switches/dims incandescent lamps and electronic transformers for low-voltage halogen lamps (DO NOT USE inductive loads!). Power supply is from the mains. The device can be mounted directly in an intermediate ceiling. The dimming actuator is also equipped with a last-value memory.

| Description | Eaton list number |
|--|-------------------|
| 40–500W/230VAC | CDAE-01/01 |
| 250W/230VAC (pre set dimming range 20–99%) | CDAE-01/02 |
| 250W (pre set dimming range 0–55%) | CDAE-01/03 |

CDAP-01/13

**RF dimming actuator adaptor plug**

The dimming actuator adaptor plug receives signals and controls and dims devices such as floor-standing lamps. It is mains-supplied, can be plugged into an existing wall outlet and does not require any wiring work.

| Description | Eaton list number |
|-----------------|-------------------|
| 40–250VA/230VAC | CDAP-01/13 |

CJAU-01/02

**RF shutters/blinds actuator**

The shutters/blinds actuator receives signals and controls drives of shutters and blinds with 230V motors featuring an integrated limit switch. This actuator also offers 2 safety functions (e.g. safety position in case of wind and/or rain, lock-out protection to make sure that the shutter or blind will not close as long as the terrace door is open). Note: Never connect several shading motors in parallel to one blinds actuator without incorporating a cut-off relay. Power is supplied from the mains.

| Description | Eaton list number |
|-------------|-------------------|
| 6A/230VAC | CJAU-01/02 |

CHSZ-01/05

**1-channel remote control**

The remote control equipped with a 1-channel alarm transmits a signal to the actuators of the xComfort electrical installation as soon as the alarm button is pressed. The mobile device is power-supplied by a coin cell battery (CR2430). It can be assigned to the safety function of the room manager in order to set off an alarm, for example. If the remote control equipped with a 1-channel alarm is assigned to an actuator, it works in the "current-pulse mode". A LED will tell the user whether the signal has been sent, and also whether it has been correctly understood and reconfirmed. The remote control is easy to fix at the key ring, key ribbon or at a hanger clip (not included in the scope of delivery). It is also possible to use an optional magnet-type wall-fixing (110771 - to be ordered separately). Battery included in the scope of delivery.

| Description | Eaton list number |
|------------------|-------------------|
| 1 channel (mini) | CHSZ-01/05 |

CHSZ-02/02

**2-channel remote control**

The 2-channel remote control sends signals to the xComfort system when it is operated. This mobile device is powered by a coin cell battery (CR2430). The functions can be individually assigned, with no distinction to be made between blinds control, dimming, switching etc. A LED indicates whether the signal has actually been sent, correctly interpreted and re-confirmed. The remote control can simply be fixed at the key ring (included in the scope of delivery). Optionally, wall-mounting via a magnet is possible too (CMMZ-00/11 - to be ordered separately). Battery included in the scope of delivery.

| Description | Eaton list number |
|-------------------|-------------------|
| 2 channels (mini) | CHSZ-02/02 |

CHSZ-12/03



12-channel remote control

The 12-channel remote control sends signals to xComfort system when it is operated. This mobile device is powered by two AAA batteries. The functions can be individually assigned, with no distinction to be made between blinds control, dimming, switching etc. Pushing the pre-selection key (1-6) once will take you to level 1 (channels 1 to 6), (short) pushing the pre-selection key (1-6) twice will take you to level 2 (channel 7-12). The two LEDs indicate the level and whether the signal has actually be sent, correctly interpreted and re-confirmed. Optionally, wall-mounting via a magnet is possible too (CMMZ-00/11 – to be ordered separately). Battery included in the scope of delivery.

| Description | Eaton list number |
|-------------|-------------------|
| 12 channels | CHSZ-12/03 |

CHSZ-12/04



12-channel remote control with display

The 12-channel remote control sends signals to the convenient electrical installation system when it is operated. This mobile device is powered by two AAA batteries. The functions can be individually assigned, with no distinction to be made between blinds control, dimming, switching etc. Pushing the pre-selection key (1-6) once will take you to level 1 (channels 1 to 6), (short) pushing the pre-selection key (1-6) twice will take you to level 2 (channel 7-12). The two LEDs indicate the level and whether the signal has actually be sent, correctly interpreted and re-confirmed. Optionally, wall-mounting via a magnet is possible too (CMMZ-00/11 - to be ordered separately). Battery included in the scope of delivery.

| Description | Eaton list number |
|--------------------------|-------------------|
| 12 channels with display | CHSZ-12/04 |

CBMA-02/01



RF PIR motion sensor

This PIR motion sensor is designed to sense movement inside a building. Power supply is provided either through two AAA-batteries (included in the scope of delivery) or through a power supply unit (CMMZ – 00/08), not included in the scope of delivery), therefore it is easy to fix (screw or glue) it wherever you need it. To make it easy for you to do setting, we provide an adjustable “mounting support” (CMMZ – 00/09). Channel A (for lighting) transmits a switching command depending on the movement that has been detected, on the brightness and on the time-setting for the light to shut off again. Channel B (for alarm functions) transmits a switching command when movement is detected, irrespective of brightness and time-setting for switch-off (channel B is activated for approx. 145 seconds). The setting for the number of impulses to be analysed before triggering an alarm or transmitting a switching command can be done for both channels at the same time. All the settings can be carried out directly on the device, with the front cover removed. A light emitting diode (LED) makes the job of setting the sensor easier.

| Description | Eaton list number |
|---|-------------------|
| 110°, covers 12m when mounted at a height of h=2.2m | CBMA-02/01 |

CMMZ-00/09



Mounting set for the motion sensor

The mounting set for the motion sensor is used where the sensor needs to be adjusted to different directions in order to guarantee an optimal area covered by the motion sensor (CBMA-02/01). (Two fixing screws are included).

| Description | Colour | Eaton list number |
|--------------|--------|-------------------|
| Mounting set | white | CMMZ-00/09 |

10.4 xComfort system overview

Comfort mode overview and components

CBEU-02/01



RF binary input unit 2 x 230VAC

The binary input unit transmits input signals e.g. from motion sensors or other signal contacts (relays, switches, pushbutton units, etc.) to the xComfort installation system. Power supply is from the mains. The device can be mounted in installation boxes for switches, branch-off boxes or standard installation boxes.

Description

Eaton list number

2 x 230VAC

CBEU-02/01

CBEU-02/02



RF binary input unit, 2 x signal contact

The binary input unit transmits input signals e.g. from window contacts, glass breakage sensors or other signal contacts (relays, switches, pushbutton units, etc) to the convenient electrical installation system. The device is powered by a coin cell (**CR2477N**). Therefore it can be conveniently attached (screw-mounted or glued) in any place. Placing it in installation boxes for switches, branch-off boxes or standard installation boxes is also possible.

Battery included.

Description

Eaton list number

2 x signal contact

CBEU-02/02

CAAE-01/02



RF analogue actuator 0–10VDC + 1–10VDC

The analogue actuator receives signals, switches a relay and actuates a control voltage of 1–10VDC for dimmers and electronic ballasts of fluorescent lamps. It is mains-supplied and can be incorporated into an installation box, an intermediate ceiling or directly into fluorescent lamps.

Description

Eaton list number

8A/230VAC, 20mA/0–10VDC

CAAE-01/01

8A/230VAC, 20mA/1–10VDC

CAAE-01/02

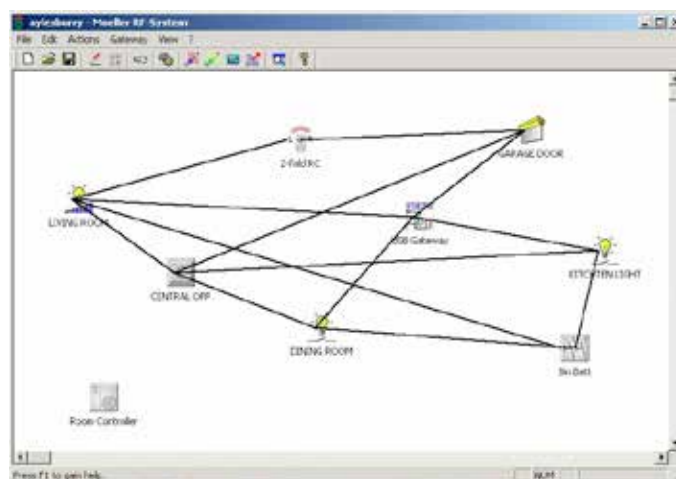
Comfort mode overview – using MRF software

Using an RS232 interface, the software scans for all devices within a building. Simply right clicking on any actuator can then allow access to other program and setting commands.

Once set, the pre-determined scenes, times, temperatures, light levels and commands are then loaded and the system is now programmed.

Once in this mode, the system becomes a mesh network – much more reliable than any other, as it allows the actuators to act as routers.

Comfort mode allows for much greater manipulation, maximising the system’s full potential.



Comfort mode components

The devices listed below can all be incorporated along with the basic mode components to form a completely integrated home automation system, providing full building control, including the control of heating, lighting, blinds/ shutters as well as energy and security functions.

All you need is a computer/laptop and the free MRF software, which is easy to understand, along with the xComfort RF configuration interface which will allow the MRF software to configure the system components via the PC or laptop.

If the system has been previously configured in “Basic mode”, the software will read all the existing functional links and display these as single lines on the screen. This configuration is then available for editing along with a host of additional settings and

features only available in “Comfort mode”. If no functions have previously been assigned to the system devices the MRF software in “Comfort mode” will allow you to assign links between devices simply by drawing lines between actuators and sensors on the screen as well as allowing the addition of unique names/identifiers to the devices and access to the internal settings function.

Central control functions can be provided by incorporating a room manager or smart home controller within the system, or else allowing external control by a GSM link or a PC or PLC via the appropriate control and communication interfaces.

Eaton systems integrators, fully trained on the application of xComfort, will be pleased to assist with the full integration of a building system.

CSEZ-01/12



Sensors

Description

Eaton list number

| | |
|---|----------------------|
| RF analogue input unit 2-channel (0-10VDC, 0-20mA, 4-20mA, PT1000) | CAEE-02/01 |
| Flush mounted power supply for analogue input and impulse counting | CMMZ-00/13 |
| RF energy measuring module | CEMU-01/04 |
| RF energy measuring module with sensor (up to 23kW) | CEMU-01/03 |
| RF energy meter adaptor plug (3 - 2990W) | CEMP-01/13 |
| RF temperature input unit 2-channel | CTEU-02/01 |
| Temperature sensor – range -50 to 180°C | CSEZ-01/01 |
| Temperature sensor – range -50 to 200°C | CSEZ-01/36 |
| Living room enclosure use with CSEZ-01/01 | CSEZ-01/24 |
| Outdoor enclosure use with CSEZ-01/01 | EB-Z/SE/01/03 |
| Fix-to-pipe unit use with CSEZ-01/01 | EB-Z/SE/01/04 |
| Window contact, normally open, surface mounted | CSEZ-01/06 |
| Window contact, normally closed, surface mounted | CSEZ-01/25 |
| Window contact, normally open, flush mounted | CSEZ-01/07 |
| Brightness sensor - Indoor 0-10VDC (3-60.000 lux, Out 0-10VDC) | CSEZ-01/14 |
| Brightness sensor - Outdoor 0-10VDC (3-60.000 lux, Out 0-10VDC) | CSEZ-01/15 |
| Air quality sensor 0-10VDC | CSEZ-01/16 |
| Outdoor temperature + humidity sensor (10-90%, -20 - 80°C) | CSEZ-01/17 |
| Water leakage sensor 9V use with CBEU-02/02 | CSEZ-01/18 |
| Smoke detector (9V battery supplied) use with adapter module CSEZ-01/20 and CBEU-02/02 | CSEZ-01/19 |
| Power adaptor for RF PIR motion detector | CMMZ-00/08 |

CHVZ-01/03



Actuators

Description

Eaton list number

| | |
|--|-------------------|
| Mains powered radiator valve actuator 230VAC (must be used with RF switching actuator or multi heating actuator) | CHVZ-01/04 |
| RF multi heating actuator (12 channels) | CHAZ-01/12 |
| External receiver for the multi channel heating actuator | CKOZ-00/12 |
| RF heating actuator for electrical heater panels | CHAZ-01/01 |
| RF battery powered radiator valve actuator | CHVZ-01/03 |
| RF radiator valve actuator adaptor set M28 x 1.5 | CMMZ-00/36 |
| Compact signal emitter (must be used with RF switching actuator) | CSGZ-02/01 |
| Flashing light signal emitter | CSGZ-01/02 |

CHCA-00/01



Control & communication

Description

Eaton list number

| | |
|--|----------------------|
| Smart home controller (SHC) | CHCA-00/01 |
| British standard adapter for SHC | CMMZ-00/37 |
| RF ethernet coms interface – LAN | CCIA-02/01 |
| RF ethernet coms interface – LAN power over ethernet | CCIA-03/01 |
| Power adaptor – 5V mini USB | CMMZ-00/33 |
| RF room controller switch/night time reduction | CRCA-00/04 |
| RF room controller with night time reduction and humidity sensor | CRCA-00/05 |
| RF room manager – white | CRMA-00/03 |
| RF room manager – silver | CRMA-00/07 |
| RF router | CROU-00/01-S |
| RF router + logic | CROU-00/01-SL |
| RF USB configuration stick | CKOZ-00/13 |
| RF USB communication stick | CKOZ-00/14 |
| RF RS232 communication interface | CKOZ-00/03 |
| DIN rail clip for actuators | CMMZ-00/30 |



The stylish range of Memera full metal consumer units have been designed to comply with BSEN 61439-3 and BS7671 Amendment 3 IET wiring regulations. The range includes both single and dual rail units accommodating up to 38 outgoing ways in various configurations to meet all possible application needs.

Complementing the range is an extensive array of devices including MCBs, RCBOs RCDs and DIN rail mountable control and switching devices.

11.1 METALCLAD SURFACE AND FLUSH MOUNTED CONSUMER UNITS

| | |
|--------------------------------------|-----|
| Surface mounted consumer units | 102 |
| Flush mounted consumer units..... | 104 |
| Accessories | 105 |

11.2 PRE-CONFIGURED

106

11.3 ENCLOSURES

| | |
|--------------------------|-----|
| Moulded enclosures | 107 |
| Metal enclosures | 107 |

11.4 SWITCH AND PROTECTION DEVICES

| | |
|--|-----|
| Miniature Circuit Breakers (MCBs) | 108 |
| Isolators | 108 |
| Residual Current Circuit Breakers (RCCBs /RCDS)..... | 109 |
| Residual Current Circuit Breaker with Overcurrent Protection (RCBOs) | 109 |
| Padlocking device | 110 |
| Single pole and neutral switchfuse..... | 110 |

11.5 CONTROL AND SWITCHING DEVICES

| | |
|---------------------------------------|---------|
| Timers..... | 112–113 |
| Contactors and impulse switches | 114–115 |
| Bell transformer | 115 |

See pages 121-122 for technical data and overall dimensions.

EAS2S



Isolator controlled full metal clad surface mounting consumer units

| Material | Description | No of ways | Isolator rating (A) | RCD 1 rating (A) | Sens. (mA) | RCD 2 Rating (A) | Sens. (mA) | Eaton list number |
|----------|--|------------|---------------------|------------------|------------|------------------|------------|-------------------|
| 179407 | 2 way metal consumer unit 63A isolator | 2 | 63 | - | - | - | - | EAS2S |
| 179408 | 6 way metal consumer unit 100A isolator | 6 | 100 | - | - | - | - | EAS6S |
| 179409 | 10 way metal consumer unit 100A isolator | 10 | 100 | - | - | - | - | EAS10S |
| 179410 | 12 way metal consumer unit 100A isolator | 12 | 100 | - | - | - | - | EAS12S |
| 179411 | 14 way metal consumer unit 100A isolator | 14 | 100 | - | - | - | - | EAS14S |
| 179412 | 18 way metal consumer unit 100A isolator | 18 | 100 | - | - | - | - | EAS18S |
| 183294 | 20 way metal consumer unit 100A isolator | 20 | 100 | - | - | - | - | EAS20S |
| 179413 | 26 way metal consumer unit 100A isolator | 26 | 100 | - | - | - | - | EAS26S |
| 179414 | 38 way metal consumer unit 100A isolator | 38 | 100 | - | - | - | - | EAS38S |

EAS6H100S



RCD controlled full metal clad surface mounting consumer units

| Material | Description | No of ways | Isolator rating (A) | RCD 1 rating (A) | Sens. (mA) | RCD 2 Rating (A) | Sens. (mA) | Eaton list number |
|----------|--|------------|---------------------|------------------|------------|------------------|------------|-------------------|
| 179415 | 2 way metal consumer unit 40A 30mA RCD | 2 | - | 40 | 30 | - | - | EAS2H40S |
| 179416 | 2 way metal consumer unit 63A 30mA RCD | 2 | - | 63 | 30 | - | - | EAS2H63S |
| 179417 | 6 way metal consumer unit 63A 30mA RCD | 6 | - | 63 | 30 | - | - | EAS6H63S |
| 179418 | 6 way metal consumer unit 80A 30mA RCD | 6 | - | 80 | 30 | - | - | EAS6H80S |
| 179419 | 6 way metal consumer unit 100A 30mA RCD | 6 | - | 90 | 30 | - | - | EAS6H100S |
| 179420 | 10 way metal consumer unit 100A 30mA RCD | 10 | - | 90 | 30 | - | - | EAS10H100S |
| 179421 | 12 way metal consumer unit 100A 30mA RCD | 12 | - | 90 | 30 | - | - | EAS12H100S |
| 179422 | 18 way metal consumer unit 100A 30mA RCD | 18 | - | 90 | 30 | - | - | EAS18H100S |
| 183295 | 20 way metal consumer unit 100A 30mA RCD | 20 | - | 90 | 30 | - | - | EAS20H100S |

EAS8H80DS



Split load full metal clad surface mounting consumer units

| Material | Description | No of ways | Isolator rating (A) | RCD 1 rating (A) | Sens. (mA) | RCD 2 Rating (A) | Sens. (mA) | Eaton list number |
|----------|--|------------|---------------------|------------------|------------|------------------|------------|-------------------|
| 179423 | 8 way metal consumer unit 63A 30mA split load | 8 | 100 | 63 | 30 | - | - | EAS8H63DS |
| 179424 | 8 way metal consumer unit 80A 30mA split load | 8 | 100 | 80 | 30 | - | - | EAS8H80DS |
| 179425 | 10 way metal consumer unit 63A 30mA split load | 10 | 100 | 63 | 30 | - | - | EAS10H63DS |
| 179426 | 10 way metal consumer unit 80A 30mA split load | 10 | 100 | 80 | 30 | - | - | EAS10H80DS |
| 179427 | 16 way metal consumer unit 80A 30mA split load | 16 | 100 | 80 | 30 | - | - | EAS16H80DS |
| 183296 | 18 way metal consumer unit 80A 30mA split load | 18 | 100 | 80 | 30 | - | - | EAS18H80DS |
| 179428 | 24 way metal consumer unit 80A 30mA split load | 24 | 100 | 80 | 30 | - | - | EAS24H80DS |
| 179429 | 36 way metal consumer unit 80A 30mA split load | 36 | 100 | 80 | 30 | - | - | EAS36H80DS |

EAS10H80H80DS



Dual RCD full metal clad surface mounting consumer units

| Material | Description | No of ways | Isolator rating (A) | RCD 1 rating (A) | Sens. (mA) | RCD 2 Rating (A) | Sens. (mA) | Eaton list number |
|----------|--|------------|---------------------|------------------|------------|------------------|------------|-------------------|
| 179430 | 10 way metal consumer unit dual RCD 30mA 63A + 63A | 10 | 100 | 63 | 30 | 63 | 30 | EAS10H63H63DS |
| 179431 | 10 way metal consumer unit dual RCD 30mA 80A + 63A | 10 | 100 | 80 | 30 | 63 | 30 | EAS10H80H63DS |
| 179432 | 10 way metal consumer unit dual RCD 30mA 80A + 80A | 10 | 100 | 80 | 30 | 80 | 30 | EAS10H80H80DS |
| 179433 | 14 way metal consumer unit dual RCD 30mA 63A + 63A | 14 | 100 | 63 | 30 | 63 | 30 | EAS14H63H63DS |
| 179434 | 14 way metal consumer unit dual RCD 30mA 80A + 63A | 14 | 100 | 80 | 30 | 63 | 30 | EAS14H80H63DS |
| 179435 | 14 way metal consumer unit dual RCD 30mA 80A + 80A | 14 | 100 | 80 | 30 | 80 | 30 | EAS14H80H80DS |
| 183297 | 16 way metal consumer unit dual RCD 30mA 63A + 63A | 16 | 100 | 63 | 30 | 63 | 30 | EAS16H63H63DS |
| 183298 | 16 way metal consumer unit dual RCD 30mA 80A + 63A | 16 | 100 | 80 | 30 | 63 | 30 | EAS16H80H63DS |
| 183299 | 16 way metal consumer unit dual RCD 30mA 80A + 80A | 16 | 100 | 80 | 30 | 80 | 30 | EAS16H80H80DS |
| 179436 | 22 way metal consumer unit dual RCD 30mA 80A + 80A | 22 | 100 | 80 | 30 | 80 | 30 | EAS22H80H80DS |
| 179437 | 22 way metal consumer unit dual RCD 30mA 80A + 63A | 22 | 100 | 80 | 30 | 63 | 30 | EAS22H80H63DS |
| 179438 | 34 way metal consumer unit dual RCD 30mA 80A + 80A | 34 | 100 | 80 | 30 | 80 | 30 | EAS34H80H80DS |
| 179439 | 34 way metal consumer unit dual RCD 30mA 80A + 63A | 34 | 100 | 80 | 30 | 63 | 30 | EAS34H80H63DS |

EAS16H80H80DS



Dual tariff full metal clad surface mounting consumer units

| Material | Description | No of ways | Isolator rating (A) | RCD 1 rating (A) | Sens. (mA) | RCD 2 Rating (A) | Sens. (mA) | Eaton list number |
|----------|---|------------|---------------------|------------------|------------|------------------|------------|-------------------|
| 179440 | 10 way metal consumer unit dual tariff 2 x 100A | 10 | 100 | - | - | - | - | EAS10DDS |
| 179441 | 16 way metal consumer unit dual tariff 2 x 100A | 16 | 100 | - | - | - | - | EAS16DDS |

See pages 123-124 for technical data and overall dimensions

EAS2SF



Isolator controlled full metal clad flush mounting consumer units

| Material | Description | No of ways | Isolator rating (A) | RCD 1 rating (A) | Sens. (mA) | RCD 2 Rating (A) | Sens. (mA) | Eaton list number |
|----------|--|------------|---------------------|------------------|------------|------------------|------------|-------------------|
| 179451 | 2 way metal consumer unit 63A isolator flush | 2 | 63 | - | - | - | - | EAS2SF |
| 179452 | 6 way metal consumer unit 100A isolator flush | 6 | 100 | - | - | - | - | EAS6SF |
| 179453 | 10 way metal consumer unit 100A isolator flush | 10 | 100 | - | - | - | - | EAS10SF |
| 179454 | 12 way metal consumer unit 100A isolator flush | 12 | 100 | - | - | - | - | EAS12SF |
| 179455 | 14 way metal consumer unit 100A isolator flush | 14 | 100 | - | - | - | - | EAS14SF |
| 179456 | 18 way metal consumer unit 100A isolator flush | 18 | 100 | - | - | - | - | EAS18SF |
| 183301 | 20-way metal consumer unit 2-pole isolator flush | 20 | 100 | - | - | - | - | EAS20SF |
| 179457 | 26 way metal consumer unit 100A isolator flush | 26 | 100 | - | - | - | - | EAS26SF |
| 179458 | 38 way metal consumer unit 100A isolator flush | 38 | 100 | - | - | - | - | EAS38SF |

EAS2H40SF



RCD controlled full metal clad flush mounting consumer units

| Material | Description | No of ways | Isolator rating (A) | RCD 1 rating (A) | Sens. (mA) | RCD 2 Rating (A) | Sens. (mA) | Eaton list number |
|----------|--|------------|---------------------|------------------|------------|------------------|------------|-------------------|
| 179459 | 2 way metal consumer unit 40A 30mA RCD flush | 2 | - | 40 | 30 | - | - | EAS2H40SF |
| 179460 | 2 way metal consumer unit 63A 30mA RCD flush | 2 | - | 63 | 30 | - | - | EAS2H63SF |
| 179461 | 6 way metal consumer unit 63A 30mA RCD flush | 6 | - | 63 | 30 | - | - | EAS6H63SF |
| 179462 | 6 way metal consumer unit 80A 30mA RCD flush | 6 | - | 80 | 30 | - | - | EAS6H80SF |
| 179463 | 6 way metal consumer unit 100A 30mA RCD flush | 6 | - | 90 | 30 | - | - | EAS6H100SF |
| 179464 | 10 way metal consumer unit 100A 30mA RCD flush | 10 | - | 90 | 30 | - | - | EAS10H100SF |
| 179465 | 12 way metal consumer unit 100A 30mA RCD flush | 12 | - | 90 | 30 | - | - | EAS12H100SF |
| 179466 | 18 way metal consumer unit 100A 30mA RCD flush | 18 | - | 90 | 30 | - | - | EAS18H100SF |
| 183302 | 20-way metal consumer unit 100a 30ma rcd flush | 20 | - | 90 | 30 | - | - | EAS20H100SF |

EAS8H63DSF



Split load full metal clad flush mounting consumer units

| Material | Description | No of ways | Isolator rating (A) | RCD 1 rating (A) | Sens. (mA) | RCD 2 Rating (A) | Sens. (mA) | Eaton list number |
|----------|--|------------|---------------------|------------------|------------|------------------|------------|-------------------|
| 179467 | 8 way metal consumer unit 63A 30mA split load flush | 8 | 100 | 63 | 30 | - | - | EAS8H63DSF |
| 179468 | 8 way metal consumer unit 80A 30mA split load flush | 8 | 100 | 80 | 30 | - | - | EAS8H80DSF |
| 179469 | 10 way metal consumer unit 63A 30mA split load flush | 10 | 100 | 63 | 30 | - | - | EAS10H63DSF |
| 179470 | 10 way metal consumer unit 80A 30mA split load flush | 10 | 100 | 80 | 30 | - | - | EAS10H80DSF |
| 179471 | 16 way metal consumer unit 80A 30mA split load flush | 16 | 100 | 80 | 30 | - | - | EAS16H80DSF |
| 183303 | 18 way metal consumer unit 80A 30mA split load flush | 18 | 100 | 80 | 30 | - | - | EAS18H80DSF |
| 179472 | 24 way metal consumer unit 80A 30mA split load flush | 24 | 100 | 80 | 30 | - | - | EAS24H80DSF |
| 179473 | 36 way metal consumer unit 80A 30mA split load flush | 36 | 100 | 80 | 30 | - | - | EAS36H80DSF |

EAS10H63H63DSF



Dual RCD full metal clad flush mounting consumer units

| Material | Description | No of ways | Isolator rating (A) | RCD 1 rating (A) | Sens. (mA) | RCD 2 Rating (A) | Sens. (mA) | Eaton list number |
|----------|--|------------|---------------------|------------------|------------|------------------|------------|-------------------|
| 179474 | 10 way metal consumer unit dual RCD 30mA 63A + 63A flush | 10 | 100 | 63 | 30 | 63 | 30 | EAS10H63H63DSF |
| 179475 | 10 way metal consumer unit dual RCD 30mA 80A + 63A flush | 10 | 100 | 80 | 30 | 63 | 30 | EAS10H80H63DSF |
| 179476 | 10 way metal consumer unit dual RCD 30mA 80A + 80A flush | 10 | 100 | 80 | 30 | 80 | 30 | EAS10H80H80DSF |
| 179478 | 14 way metal consumer unit dual RCD 30mA 63A + 63A flush | 14 | 100 | 63 | 30 | 63 | 30 | EAS14H63H63DSF |
| 179479 | 14 way metal consumer unit dual RCD 30mA 80A + 63A flush | 14 | 100 | 80 | 30 | 63 | 30 | EAS14H80H63DSF |
| 179480 | 14 way metal consumer unit dual RCD 30mA 80A + 80A flush | 14 | 100 | 80 | 30 | 80 | 30 | EAS14H80H80DSF |
| 183304 | 16 way metal consumer unit dual RCD 30mA 63A + 63A flush | 16 | 100 | 63 | 30 | 63 | 30 | EAS16H63H63DSF |
| 183305 | 16 way metal consumer unit dual RCD 30mA 80A + 63A flush | 16 | 100 | 80 | 30 | 63 | 30 | EAS16H80H63DSF |
| 183306 | 16 way metal consumer unit dual RCD 30mA 80A + 80A flush | 16 | 100 | 80 | 30 | 80 | 30 | EAS16H80H80DSF |
| 179481 | 22 way metal consumer unit dual RCD 30mA 80A + 80A flush | 22 | 100 | 80 | 30 | 80 | 30 | EAS22H80H80DSF |
| 179482 | 22 way metal consumer unit dual RCD 30mA 80A + 63A flush | 22 | 100 | 80 | 30 | 63 | 30 | EAS22H80H63DSF |
| 179483 | 34 way metal consumer unit dual RCD 30mA 80A + 80A flush | 34 | 100 | 80 | 30 | 80 | 30 | EAS34H80H80DSF |
| 179484 | 34 way metal consumer unit dual RCD 30mA 80A + 63A flush | 34 | 100 | 80 | 30 | 63 | 30 | EAS34H80H63DSF |

EAS16DDSF



Dual tariff full metal clad flush mounting consumer units

| Material | Description | No of ways | Isolator rating (A) | RCD 1 rating (A) | Sens. (mA) | RCD 2 Rating (A) | Sens. (mA) | Eaton list number |
|----------|---|------------|---------------------|------------------|------------|------------------|------------|-------------------|
| 179485 | 10 way metal consumer unit dual tariff 2 x 100A flush | 10 | 100 | - | - | - | - | EAS10DDSF |
| 179486 | 16 way metal consumer unit dual tariff 2 x 100A flush | 16 | 100 | - | - | - | - | EAS16DDSF |

EASDL



Accessories

| Material | Description | Eaton list number |
|----------|---|-------------------|
| 179450 | Door lock assembly | EASDL |
| 176441 | 1 way cover blanking piece | ABP1 |
| 156472 | 1 way full module blanking piece | EMBP |
| 183308 | Meter tail gland kit M32 plastic 16mm ² tails | EASTKEP32 |
| 183309 | Meter tail gland kit M40 plastic 25mm ² tails | EASTKEP40 |
| 183310 | Meter tail gland kit M32 brass 16mm ² tails | EASTKEB32 |
| 183311 | Meter tail gland kit M40 brass 25mm ² tails | EASTKEB40 |
| N/A | 100A 100mA selective TD selective RCCB incomer (maximum 90A in consumer unit) | EAM1002MT |

11.2 MEMERA consumer units

Pre-configured

All standard Memera consumer units can be pre-configured as factory built assemblies for specific project applications for one time use or indeed for continued application as a customised product.



Customisation can include the following features:

- Fitting of outgoing MCB's and RCBO's
- Fitting of timers, contactors and transformers etc.
- Fitting of customised labelling and end user logos
- Fitting of surge suppression devices
- Fitting of both MID or non MID approved digital kWh meters
- Fitting of secondary 2 pole RCBO's for connection of renewable energy sources such as PV installations.
- Non-standard enclosure configurations.
- Any combination of the above features.

Typical pre-configured EAS consumer unit fitted and labelled to customer specific requirements.

Example shown – **EAS10SR** fitted with reversed pole main switch, fitted RCBOs and bespoke labelling.



Typical customised configurations are normally based upon standard boards and can be fully configured with outgoing protective devices along with timers, contactors, transformers and kWh meters etc. to meet end client requirements. The boards can be simply equipped with devices just clipped to DIN rail, for final onsite configuration by the installer, or else full fitted and wired up internally ready for final installation.

Example shown - **EAS14H80H80DS** dual RCD consumer unit fully fitted with devices and a digital MID approved kWh meter.

See page 125 for technical data and overall dimensions

IKA-1/4-ST-UV

**Enclosures moulded – IP65**

| Description | Additional features | Finish | Number of modules | IP rating | Eaton list number |
|-----------------------------|-------------------------|---------|-------------------|-----------|----------------------|
| DIN rail enclosure 4 module | Transparent door & N/PE | Moulded | 4 | 65 | IKA-1/4-ST-UV |
| DIN rail enclosure 6 module | Transparent door & N/PE | Moulded | 6 | 65 | IKA-1/6-ST-UV |
| DIN rail enclosure 8 module | Transparent door & N/PE | Moulded | 8 | 65 | IKA-1/8-ST-UV |

AN2EBD

**Enclosures moulded – IP40**

| Description | Additional features | Finish | Number of modules | IP rating | Eaton list number |
|-----------------------------|--------------------------------|---------|-------------------|-----------|-----------------------------|
| DIN rail enclosure 2 module | Sealable terminal access | Moulded | 2 | 40 | AN2 |
| DIN rail enclosure 2 module | Fitted 100A SPSN isolator | Moulded | 2 | 40 | AN2D |
| DIN rail enclosure 2 module | Sealable access with earth bar | Moulded | 2 | 40 | AN25 |
| Service isolator 2 module | Fitted 100A SPSN isolator | Moulded | 2 | 40 | AN2EBD¹⁾ |
| Service isolator 4 module | Sealable front access | Moulded | 4 | 40 | AN4EBLS¹⁾ |

¹⁾Independently sealable supply and load terminal covers.

EAN2SEBD

**Enclosures metal - IP30**

| Description | Additional features | Finish | Number of modules | IP rating | Eaton list number |
|-----------------------------|---------------------------|--------|-------------------|-----------|----------------------|
| DIN rail enclosure 2 module | Sealable terminal access | Metal | 2 | 30 | EAN2SEBD |
| DIN rail enclosure 4 module | Sealable terminal access | Metal | 4 | 30 | EAN4SEBD |
| Service Isolator 2 module | Fitted 100A SPSN isolator | Metal | 2 | 30 | EAN2SEBD1001N |

11.4 MEMERA consumer units

Switch and protection devices

See pages 126-131 for technical data and overall dimensions.

EAD20B



Miniature circuit breakers – 6kA, trip type B, 1P

| Description | Rating (A) | Trip type | Short circuit rating (kA) | Pole configuration | Width (mm) | Eaton list number |
|-------------|------------|-----------|---------------------------|--------------------|------------|-------------------|
| MCB | 2 | B | 6 | 1P | 18 | EAD02B |
| MCB | 4 | B | 6 | 1P | 18 | EAD04B |
| MCB | 6 | B | 6 | 1P | 18 | EAD06B |
| MCB | 10 | B | 6 | 1P | 18 | EAD10B |
| MCB | 13 | B | 6 | 1P | 18 | EAD13B |
| MCB | 16 | B | 6 | 1P | 18 | EAD16B |
| MCB | 20 | B | 6 | 1P | 18 | EAD20B |
| MCB | 25 | B | 6 | 1P | 18 | EAD25B |
| MCB | 32 | B | 6 | 1P | 18 | EAD32B |
| MCB | 40 | B | 6 | 1P | 18 | EAD40B |
| MCB | 50 | B | 6 | 1P | 18 | EAD50B |
| MCB | 63 | B | 6 | 1P | 18 | EAD63B |

EAD20C



Miniature circuit breakers – 6kA, trip type C, 1P

| Description | Rating (A) | Trip type | Short circuit rating (kA) | Pole configuration | Width (mm) | Eaton list number |
|-------------|------------|-----------|---------------------------|--------------------|------------|-------------------|
| MCB | 2 | C | 6 | 1P | 18 | EAD02C |
| MCB | 4 | C | 6 | 1P | 18 | EAD04C |
| MCB | 6 | C | 6 | 1P | 18 | EAD06C |
| MCB | 10 | C | 6 | 1P | 18 | EAD10C |
| MCB | 13 | C | 6 | 1P | 18 | EAD13C |
| MCB | 16 | C | 6 | 1P | 18 | EAD16C |
| MCB | 20 | C | 6 | 1P | 18 | EAD20C |
| MCB | 25 | C | 6 | 1P | 18 | EAD25C |
| MCB | 32 | C | 6 | 1P | 18 | EAD32C |
| MCB | 40 | C | 6 | 1P | 18 | EAD40C |
| MCB | 50 | C | 6 | 1P | 18 | EAD50C |
| MCB | 63 | C | 6 | 1P | 18 | EAD63C |

EMS1001N



Main load disconnect switch (isolator)

| Description | Rating (A) | Short circuit rating (kA) | Width | Eaton list number |
|-------------------------------------|------------|---------------------------|----------|-------------------|
| EMS 100A SP isolator | 100 | 10 | 1 module | EMS1001 |
| EMS 100A SPN isolator | 100 | 10 | 2 module | EMS1001N |
| EMS 100A SPN isolator reversed pole | 100 | 10 | 2 module | EMS1001NR |
| EMS 100A DP isolator | 100 | 10 | 2 module | EMS1002 |

EAM632H

**RCCBs – 2-pole double module – 10mA–30mA sensitivity**

| Description | Rating (A) | Sensitivity (mA) | Eaton list number |
|---|------------|------------------|-------------------|
| EAM 16A 2 Pole RCCB 10mA | 16 | 10 | EAM162V |
| EAM 16A 2 Pole RCCB 30mA | 16 | 30 | EAM162H |
| EAM 25A 2 Pole RCCB 30mA | 25 | 30 | EAM252H |
| EAM 40A 2 Pole RCCB 30mA | 40 | 30 | EAM402H |
| EAM 63A 2 Pole RCCB 30mA | 63 | 30 | EAM632H |
| EAM 80A 2 Pole RCCB 30mA | 80 | 30 | EAM802H |
| EAM 80A 2 Pole RCCB 30mA reversed pole | 80 | 30 | EAM802RH |
| EAM 100A 2 Pole RCCB 30mA | 100 | 30 | EAM1002H |
| EAM 100A 2 Pole RCCB 30mA reversed pole | 100 | 30 | EAM1002RH |

EAM252M

**RCCBs – 2-pole double module – 100mA sensitivity**

| Description | Rating (A) | Sensitivity (mA) | Eaton list number |
|---|------------|------------------|-------------------|
| EAM 25A 2 Pole RCCB 100mA | 25 | 100 | EAM252M |
| EAM 40A 2 Pole RCCB 100mA | 40 | 100 | EAM402M |
| EAM 63A 2 Pole RCCB 100mA | 63 | 100 | EAM632M |
| EAM 80A 2 Pole RCCB 100mA | 80 | 100 | EAM802M |
| EAM 100A 2 Pole RCCB 100mA | 100 | 100 | EAM1002M |
| EAM 100A 2 Pole RCCB 100mA reversed pole | 100 | 100 | EAM1002RM |
| EAM 100A 2 Pole RCCB 100mA selective time delay | 100 | 100 | EAM1002MT |

EAM802M

**RCCBs – 2-pole double module – 300mA sensitivity**

| Description | Rating (A) | Sensitivity (mA) | Eaton list number |
|--|------------|------------------|-------------------|
| EAM 80A 2 Pole RCCB 300mA | 80 | 300 | EAM802L |
| EAM 80A 2 Pole RCCB 300mA reversed pole | 80 | 300 | EAM802RL |
| EAM 100A 2 Pole RCCB 300mA | 100 | 300 | EAM1002L |
| EAM 100A 2 Pole RCCB 300mA reversed pole | 100 | 300 | EAM1002RL |

EAD16BH30C

**RCBOs – compact single pole single module – trip type B – 30mA sensitivity**

| Description | Rating (A) | Trip type | Sensitivity (mA) | Eaton list number |
|---------------------------------|------------|-----------|------------------|-------------------|
| EAD 6A 6kA type B SP 30mA RCBO | 6 | B | 30 | EAD06BH30C |
| EAD 10A 6kA type B SP 30mA RCBO | 10 | B | 30 | EAD10BH30C |
| EAD 16A 6kA type B SP 30mA RCBO | 16 | B | 30 | EAD16BH30C |
| EAD 20A 6kA type B SP 30mA RCBO | 20 | B | 30 | EAD20BH30C |
| EAD 25A 6kA type B SP 30mA RCBO | 25 | B | 30 | EAD25BH30C |
| EAD 32A 6kA type B SP 30mA RCBO | 32 | B | 30 | EAD32BH30C |
| EAD 40A 6kA type B SP 30mA RCBO | 40 | B | 30 | EAD40BH30C |
| EAD 45A 6kA type B SP 30mA RCBO | 45 | B | 30 | EAD45BH30C |

EAD16CH30C

**RCBOs – compact single pole single module – trip type C – 30mA sensitivity**

| Description | Rating (A) | Trip type | Sensitivity (mA) | Eaton list number |
|---------------------------------|------------|-----------|------------------|-------------------|
| EAD 6A 6kA type C SP 30mA RCBO | 6 | C | 30 | EAD06CH30C |
| EAD 10A 6kA type C SP 30mA RCBO | 10 | C | 30 | EAD10CH30C |
| EAD 16A 6kA type C SP 30mA RCBO | 16 | C | 30 | EAD16CH30C |
| EAD 20A 6kA type C SP 30mA RCBO | 20 | C | 30 | EAD20CH30C |
| EAD 25A 6kA type C SP 30mA RCBO | 25 | C | 30 | EAD25CH30C |
| EAD 32A 6kA type C SP 30mA RCBO | 32 | C | 30 | EAD32CH30C |
| EAD 40A 6kA type C SP 30mA RCBO | 40 | C | 30 | EAD40CH30C |
| EAD 45A 6kA type C SP 30mA RCBO | 45 | C | 30 | EAD45CH30C |

11.4 MEMERA consumer units

Switch and protection devices

ASPDL

Padlocking device



Description

Universal device lockout attachment – fits EAD MCBs/RCBOs, EAM RCCBs and EMS isolators.

Eaton list
number

ASPDL

800KMF

Single pole and neutral switchfuse



Description

80A SPN switchfuse (fuse fitted)

80A Switchfuse cable gland / spreader

Fuse rating
(A)

80

–

Fuse type

BS 88-3 (BS1361)

–

Eaton list
number

800KMF

1MGL

Technical characteristics (dependant of type)

- Supply voltage 230 V / 50 - 60 Hz (50 Hz for just synchronised versions)
- 50 Hz-mains synchronised or Quartz controlled.
- Daily or weekly programme.
- Manual override switching function.
- Compact 18mm design for restricted space opportunities.

See pages 132-133 for technical data and overall dimensions

TSSD1CO

Analogue time switches - 50 Hz mains synchronised**Standard version**

| Programme range | Type | Channels | Contact configuration | Power reserve | Min. cycling time | Width | Material | QPC | Eaton list number |
|-----------------|-----------|----------|-----------------------|---------------|-------------------|---------|----------|-----|-------------------|
| Day | 50 Hz-net | 1 | CO | - | 15 min. | 52.5 mm | 167391 | 1 | TSSD1CO |

TSSD1NO

Analogue time switches - 50 Hz mains synchronised**18 mm compact design**

| Programme range | Type | Channels | Contact configuration | Power reserve | Min. cycling time | Width | Material | QPC | Eaton list number |
|-----------------|-----------|----------|-----------------------|---------------|-------------------|--------|----------|-----|-------------------|
| Day | 50 Hz-net | 1 | NO | - | 15 min. | 17.5mm | 167389 | 1 | TSSD1NO |

TSQD1CO

Analogue time switches - Quartz controlled**Standard version**

| Programme range | Type | Channels | Contact configuration | Power reserve | Min. cycling time | Width | Material | QPC | Eaton list number |
|-----------------|--------|----------|-----------------------|---------------|-------------------|---------|----------|-----|-------------------|
| Day | Quartz | 1 | CO | 200 hrs | 15 min. | 52.5 mm | 167390 | 1 | TSQD1CO |

TSQD1NO

Analogue time switches - Quartz controlled**18 mm compact design**

| Programme range | Type | Channels | Contact configuration | Power reserve | Min. cycling time | Width | Material | QPC | Eaton list number |
|-----------------|--------|----------|-----------------------|---------------|-------------------|---------|----------|-----|-------------------|
| Day | Quartz | 1 | NO | 3 yrs | 15 min. | 17.5 mm | 167388 | 1 | TSQD1NO |

TSQW1CO

Analogue weekly time switches - Quartz controlled**Standard version**

| Programme range | Type | Channels | Contact configuration | Power reserve | Min. cycling time | Width | Material | QPC | Eaton list number |
|-----------------|--------|----------|-----------------------|---------------|-------------------|---------|----------|-----|-------------------|
| Week | Quartz | 1 | CO | 200 hrs | 2 hrs | 52.5 mm | 167392 | 1 | TSQW1CO |

11.5 MEMERA consumer units

Control and switching devices

Technical characteristics

- Operating voltage 230 V / 50 - 60 Hz.
- 1 or 2 channel.
- Quartz controlled.
- 3 to 10 year power reserve.
- Weekly programme.
- Manual ON (and depending on type OFF) switching.
- Text-oriented user guidance in display.
- Display back light (switchable).
- Compact 18mm design for restricted space.
- Automatic summer and winter adjustment.
- Holiday programme.
- Zero crossing switching relay for longer life.
- Integrated operating hour counter.
- TSDW1CO, TSDW2CO, TSDW1COA, TSDW1CODG:
- Interface for memory.

See pages 134-137 for technical data and overall dimensions

TSDW1CO



Digital weekly time switches, 1 channel

Standard version

| Programme range | Type | Channels | Contact configuration | Power reserve | Min. cycling time | Width | Material | QPC | Eaton list number |
|-----------------|--------|----------|-----------------------|---------------|-------------------|--------|----------|-----|-------------------|
| Week | Quartz | 1 | CO | 10 year | 1 min. | 35.8mm | 167379 | 1 | TSDW1CO |

TSDW1COMIN



Digital weekly time switches, 1 channel

1TE wide version

| Programme range | Type | Channels | Contact configuration | Power reserve | Min. cycling time | Width | Material | QPC | Eaton list number |
|-----------------|--------|----------|-----------------------|---------------|-------------------|--------|----------|-----|-------------------|
| Week | Quartz | 1 | CO | 3 year | 1 min. | 17.5mm | 167383 | 1 | TSDW1COMIN |

TSDW1CODG



Digital weekly time switches, 1 channel

Version with antenna connection

| Programme range | Type | Channels | Contact configuration | Power reserve | Min. cycling time | Width | Material | QPC | Eaton list number |
|-----------------|-------------------|----------|-----------------------|---------------|-------------------|---------|----------|-----|-------------------|
| Week | Quartz, DCF / GPS | 1 | CO | 10 year | 1 sec. | 35.8 mm | 167382 | 1 | TSDW1CODG |

TSDW1COA



Digital weekly time switches, 1 channel

Astronomical

| Programme range | Type | Channels | Contact configuration | Power reserve | Min. cycling time | Width | Material | QPC | Eaton list number |
|-----------------|--------------------------|----------|-----------------------|---------------|-------------------|---------|----------|-----|-------------------|
| Week | Quartz with astronomical | 1 | CO | 10 year | 1 min. | 35.8 mm | 167381 | 1 | TSDW1COA |

TSDW2CO

**Digital weekly time switches, 2 channels****Standard version**

| Programme range | Type | Channels | Contact configuration | Power reserve | Min. cycling time | Width | Material | QPC | Eaton list number |
|-----------------|--------|----------|-----------------------|---------------|-------------------|---------|----------|-----|-------------------|
| Week | Quartz | 2 | 2 x CO | 10 year | 1 min. | 35.8 mm | 167380 | 1 | TSDW2CO |

TLE

**Staircase timer****Standard version**

| Description | Delay off time adjustment | Contact configuration | Width | Material | QPC | Eaton list number |
|--------------------------------|---------------------------|-----------------------|---------|----------|-----|-------------------|
| Staircase timer basic function | 0.5-15 min | 1 x NO | 17.5 mm | 101064 | 1 | TLE |

See pages 138-142 for technical data and overall dimensions.

CR2011230A



Contactors, 20 A – ac coil

When several contactors are mounted it is advisable to fit a spacer / blanking module between them.

| Description | Rating (A) | Coil voltage (Vac) | Coil voltage (Vdc) | Width (mm) | Contacts | Eaton list number |
|-------------|------------|--------------------|--------------------|------------|-------------|-------------------|
| Contactors | 20 | 230 | – | 18 | 1 NO + 1 NC | CR2011230A |
| Contactors | 20 | 230 | – | 18 | 2 NC | CR2002230A |
| Contactors | 20 | 230 | – | 18 | 2 NO | CR2020230A |

CR2020024



Contactors, 20 A – ac/dc coil

When several contactors are mounted it is advisable to fit a spacer / blanking module between them.

| Description | Rating (A) | Coil voltage (Vac) | Coil voltage (Vdc) | Width (mm) | Contacts | Eaton list number |
|-------------|------------|--------------------|--------------------|------------|-------------|-------------------|
| Contactors | 20 | 230 | 220 | 18 | 1 NO + 1 NC | CR2011230 |
| Contactors | 20 | 230 | 220 | 18 | 2 NC | CR2002230 |
| Contactors | 20 | 230 | 220 | 18 | 2 NO | CR2020230 |

CR2540230A



Contactors, 25 A – ac coil

When several contactors are mounted it is advisable to fit a spacer / blanking module between them.

| Description | Rating (A) | Coil voltage (Vac) | Coil voltage (Vdc) | Width (mm) | Contacts | Eaton list number |
|-------------|------------|--------------------|--------------------|------------|-------------|-------------------|
| Contactors | 25 | 230 | – | 36 | 2 NO + 2 NC | CR2522230A |
| Contactors | 25 | 230 | – | 36 | 3 NO | CR2530230A |
| Contactors | 25 | 230 | – | 36 | 4 NC | CR2504230A |
| Contactors | 25 | 230 | – | 36 | 4 NO | CR2540230A |

CR2540024



Contactors, 25 A – ac/dc coil

When several contactors are mounted it is advisable to fit a spacer / blanking module between them.

| Description | Rating (A) | Coil voltage (Vac) | Coil voltage (Vdc) | Width (mm) | Contacts | Eaton list number |
|-------------|------------|--------------------|--------------------|------------|-------------|-------------------|
| Contactors | 25 | 230 | 220 | 36 | 2 NO + 2 NC | CR2522230 |
| Contactors | 25 | 230 | 220 | 36 | 3 NO | CR2530230 |
| Contactors | 25 | 230 | 220 | 36 | 4 NC | CR2504230 |
| Contactors | 25 | 230 | 220 | 36 | 4 NO | CR2540230 |

CR4030024



Contactors, 40 A – ac/dc coil

When several contactors are mounted it is advisable to fit a spacer / blanking module between them.

| Description | Rating (A) | Coil voltage (Vac) | Coil voltage (Vdc) | Width (mm) | Contacts | Eaton list number |
|-------------|------------|--------------------|--------------------|------------|----------|-------------------|
| Contactors | 40 | 230 | 220 | 54 | 2 NC | CR4002230 |
| Contactors | 40 | 230 | 220 | 54 | 2 NO | CR4020230 |
| Contactors | 40 | 230 | 220 | 54 | 3 NO | CR4030230 |
| Contactors | 40 | 230 | 220 | 54 | 4 NO | CR4040230 |

CR6320230

**Contactors, 63 A – ac/dc coil**

When several contactors are mounted it is advisable to fit a spacer / blanking module between them.

| Description | Rating (A) | Coil voltage (Vac) | Coil voltage (Vdc) | Width (mm) | Contacts | Eaton list number |
|-------------|------------|--------------------|--------------------|------------|----------|-------------------|
| Contactor | 63 | 230 | 220 | 54 | 2 NO | CR6320230 |
| Contactor | 63 | 230 | 220 | 54 | 4 NO | CR6340230 |

CRM2540230A

**Day/night contactors, 20–25 A – ac coil**

When several contactors are mounted it is advisable to fit a spacer / blanking module between them.

Day/night contactors do have a manual override function, which enables the user to bring the contactor in either a forced "ON" or "OFF" position. The contactor can only be brought into the forced "ON" position when it is de-energised. When the contactor is energised the operation will return into the normal/automatic position.

| Description | Rating (A) | Coil voltage (Vac) | Width (mm) | Contacts | Eaton list number |
|-------------|------------|--------------------|------------|----------|--------------------|
| Contactor | 20 | 230 | 18 | 2 NO | CRM2020230A |
| Contactor | 25 | 230 | 36 | 4 NO | CRM2540230A |

CRA611

**Auxiliary contacts**

Can be connected at the right-side of the contactor.

| Description | Rating (A) | Width (mm) | Contacts | Eaton list number |
|-------------|------------|------------|-------------|-------------------|
| Auxiliary | 6 | 9 | 1 NO + 1 NC | CRA611 |
| Auxiliary | 6 | 9 | 2 NO | CRA620 |

CRC63

**Terminal covers (sealable)**

| Description | Rating (A) | Width (mm) | Eaton list number |
|----------------|------------|------------|-------------------|
| Terminal cover | For 20 | 18 | CRC20 |
| Terminal cover | For 25 | 36 | CRC25 |
| Terminal cover | For 40/63 | 54 | CRC63 |

CRS

**Spacer / blanking module**

| Description | Mounting | Width (mm) | Eaton list number |
|-----------------|----------|------------|-------------------|
| Spacer | DIN rail | 9 | CRS |
| Blanking module | DIN rail | 18 | EMBP |

Z-S230

**Impulse switches/relays**

| Description | Rating (A) | Coil Voltage (Vac) | Poles | Width (mm) | Contacts | Eaton list number |
|---------------|------------|--------------------|-------|------------|-------------|-------------------|
| Impulse relay | 16 | 230 | 1P | 18 | 1 NO | Z-S230/S |
| Impulse relay | 16 | 230 | 1P | 18 | 1 NO / 1 NC | Z-S230/SO |

TR-G3/8

**Transformers**

| Description | Volts | Amps | Width (mm) | Module | Eaton list number |
|---------------------------|-------|------|------------|--------|-------------------|
| Bell Transformer 2 module | 4/8 | 1.0 | 36 | 2 | TR-G3/8 |
| | 12 | 0.6 | | | |

With dimensional drawings and specification data, this chapter provides indepth information for all our customers on all products displayed in this product guide.

| | | |
|-------------|--|---------|
| 12.1 | PREMERA/COPA/XTRA TECHNICAL DATA | |
| | Switch details and terminal conductors specification tables | 118 |
| 12.2 | CIRCA TECHNICAL DATA | |
| | Ceiling roses and pendants specifications/BC3 lamp information | 119 |
| 12.3 | XCOMFORT TECHNICAL DATA | |
| | Basic mode setting | 120 |
| 12.4 | CONSUMER UNITS AND ENCLOSURES DIMENSIONS AND DATA | |
| | Metalclad – surface mounted | 121–122 |
| | Metalclad – flush mounted | 123–124 |
| | Enclosures – moulded and metalclad | 125 |
| 12.5 | SWITCH AND PROTECTION DEVICES DIMENSIONS AND DATA | |
| | MCBs | 126–127 |
| | Isolators | 128 |
| | RCCBs | 129 |
| | RCBOs | 130 |
| | Single pole and neutral switchfuse | 131 |
| 12.6 | CONTROL AND SWITCHING DEVICES DIMENSIONS AND DATA | |
| | Analogue timers | 132–133 |
| | Digital timers | 134–135 |
| | Staircase timers | 136–137 |
| | Contactors | 138–142 |

10A switches

- Supplied with M3.5 fixing screws.
- Switch contact – silver/nickel.
- Shallow depth for maximum wiring space, containing back entry terminal with top and bottom access to terminal screws.
- Rocker operated, quick positive movement, enclosed to minimise dust penetration.
- All screws backed off, ready to accept cable.
- X-rated for fluorescent or inductive loads.
- Modular construction to enable individual replacement of modules.

13A switched sockets

- Supplied with M3.5 fixing screws.
- Switch contact – silver/nickel.
- Shutter is operated by the earth pin.
- Shallow depth for maximum wiring space with back entry tunnel terminal and top access for terminal screws.
- Terminals accept up to 3 x 4mm² or 2 x 6mm² conductors.
- Accidental penetration by “foreign bodies” through the earth aperture is prevented by the rear of the earth contacts.
- Rocker, operated either double pole or single pole switch, quick, positive movement, enclosed to minimise dust penetration.
- Suitable for use with flush or surface mounting box minimum 25mm depth.

20A switches

- Shallow depth, for maximum wiring space with back entry tunnel terminals.
- Separate earth terminals are provided for supply and load cable.
- Rocker operated, quick, positive movement, enclosed to minimise dust penetration.
- Switch contact surfaces – silver/nickel.
- Suitable for use with flush mounting box minimum 35mm deep and upwards.

Flat twin and earth insulated pvc sheathed cable to BS6004: 1984 Table 5 (a)

| C.S.A. of Live and Neutral conductors | C.S.A. of associated Earth conductor |
|---------------------------------------|--------------------------------------|
| 1.0mm ² | 1.0mm ² |
| 1.5mm ² | 1.0mm ² |
| 2.5mm ² | 1.5mm ² |
| 4.0mm ² | 1.5mm ² |
| 6.0mm ² | 2.5mm ² |
| 10.0mm ² | 4.0mm ² |

Note:

Terminal hole capacities for earth conductors refer to the actual cross sectional area of individual earth conductors.

When using flat twin and earth insulated pvc sheathed cable in accordance with table 5 (a) of BS 6004: 1984 the size of the earth conductor is shown here.

13A connection units

- Supplied with M3.5 fixing screws.
- Shallow depth for maximum wiring space with back entry tunnel terminals and top and right side access for terminal screws.
- Live and Neutral terminals accept up to 3 x 4 mm² or 2 x 6mm² conductors.
- Rocker operated, double pole switched, quick positive movement, enclosed to minimise dust penetration.
- Separate earth terminals are provided for standard and hard wiring connections.
- Suitable for use with flush mounting box 25mm minimum depth.

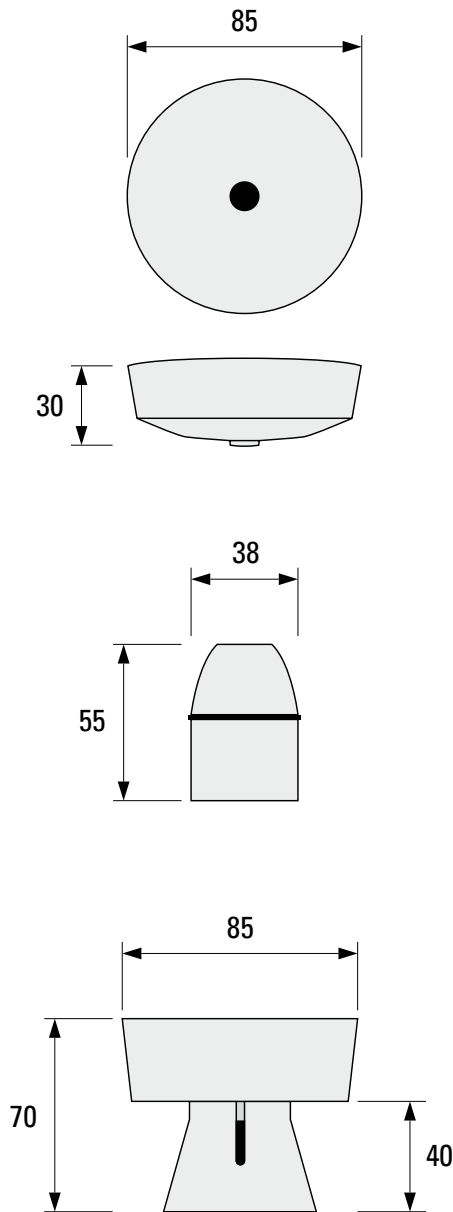
45A and 50A switches

- Supplied with M3.5 fixing screws.
- Shallow depth for maximum wiring space, with back entry tunnel terminals giving top and bottom access for terminal screws.
- Separate earth terminals provided for supply and load cables.
- Rocker operated, quick, positive movements, enclosed to minimise dust penetration.
- Switch contacts silver/nickel.

Maximum number of conductors per terminal hole

| Product | | 1.0mm ² | 1.5mm ² | 2.5mm ² | 4.0mm ² | 6.0mm ² | 10.0mm ² |
|--------------------------------------|-----------|--------------------|--------------------|--------------------|--------------------|--------------------|---------------------|
| 13A socket outlets | L+N | – | – | 3 | 2 | 1 | – |
| | E | – | 6 | 3 | 2 | 1 | – |
| RCD socket outlets | L+N | – | – | 5 | 3 | 2 | – |
| | E | – | 7 | 3 | 2 | 1 | – |
| 15A socket outlets | L+N | – | – | 3 | 2 | 1 | – |
| | E | – | 6 | 3 | – | – | – |
| 5A socket outlets | L+N | 5 | 3 | 1 | – | – | – |
| | E | 6 | 3 | 1 | – | – | – |
| 15A 127V socket outlets | L+N | – | – | 4 | 2 | 1 | – |
| | E | – | 7 | 3 | 1 | – | – |
| 10A switch range | | 5 | 3 | – | – | – | – |
| 15A switch range | | – | – | 1 | – | – | – |
| 250W/400W dimmer switches | | 4 | 3 | 1 | – | – | – |
| 20A switch range | L+N | – | – | 2 | 2 | 1 | – |
| | 2 x E | – | 7 | 3 | – | – | – |
| 13A connection units | L+N | – | – | 4 | 3 | 2 | – |
| | E | – | 7 | 3 | – | – | – |
| 50A switches | L+N | – | – | – | 2 | 2 | 1 |
| | 2 x E | – | 9 | 5 | 2 | – | – |
| 45A cooker units | L+N | – | – | – | 3 | 2 | 1 |
| | 2 x E | – | 10 | 5 | 2 | – | – |
| Shaver units | L+N | 3 | 2 | 1 | – | – | – |
| | E | 6 | 4 | – | – | – | – |
| Cooker outlet plate | 2 x (L+N) | – | – | – | 3 | 3 | 2 |
| | 2 x E | – | 14 | 6 | 3 | – | – |
| Surface mounting boxes, moulded | | 7 | 4 | 2 | 1 | – | – |
| Surface mounting box for shaver unit | | 8 | 5 | 3 | 1 | – | – |

Ceiling roses and pendants



Standards and approvals

- Lampholders comply with BS EN 611841-T2.
- All lamp activated lampholders comply with BS 7895.
- Ceiling roses comply with BS 67.

Technical specifications – electrical

- Lampholders and batten lampholders.
 - Voltage rating: 250V a.c.
 - Maximum rating: 150 watts.
 - Terminal capacity: Live, neutral and earth, 3 x 1.0mm², 2 x 1.5mm²
- Ceiling roses and base of pre-wired batten lampholders.
 - Voltage rating: 250V a.c.
 - Maximum rating: 6 amps.
 - Terminal capacity: Live, neutral and earth, 4 x 1.0mm², 3 x 1.5mm², 1 x 1.5mm²
 - Ambient operating temperature -5°C to +40°C
- Ceiling switches.
 - Terminal capacity: 3 x 1.5mm² conductors.
 - Maximum rating: 6 amps.

Features

- Lamp activated range.
- Plungers remain isolated until lamp is fully inserted.
- Live parts only accessible with tool.
- Incorporates double pole switching mechanism.
- T2 rated - meets the T2 ratings requirements of specification which test at 210°C lamp cap temperature.

Ceiling roses.

- Clear markings.
- Terminal layout allows cables to be cut to even length.
- Earth terminal point used for easier cable access.

BC3 lamp information

| Eaton list number | Lamp life hours | Lumens | Lumens per watt | Energy category |
|-------------------|-----------------|--------|-----------------|-----------------|
| F1267 | 8000 | 1200 | 60 | A |

12.3

Technical data xComfort technical data

Technical specification

Eaton RF software

| | |
|-----------------------|--------------------------------------|
| Frequency: | 868.300 MHz |
| Type of transmission: | Bi directional via encoded telegrams |

Mains powered devices/actuators

| | |
|---------------------|--|
| Back up protection: | By means of a type C miniature circuit breaker (MCB) rated at no more than 16A |
|---------------------|--|

Switching and dimming actuators

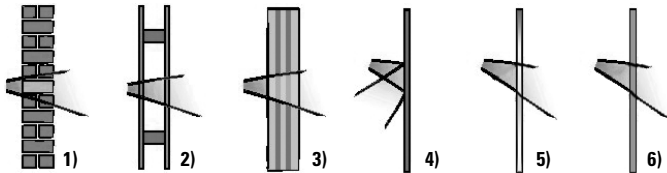
| | | | |
|--------------------|---------------------------|----|----|
| Rated Voltage: | 230VAC, 50Hz | | |
| Protection: | IP20 | | |
| Wired connections: | 1.5mm single core x 150mm | | |
| Dimensions mm | H | W | D |
| Wired type | 50 | 46 | 27 |
| Enclosed type | 150 | 34 | 28 |

Battery powered devices

| | |
|---------------|---|
| RF Range: | Typically 30–50m = 2 walls and 1 ceiling dependent on wall thickness and material |
| Battery life: | Depending on usage and type of battery RF pushbutton battery – approx 10 years RF remote control battery – approx 3–5 years Room controller battery – approx 5–7 years |

RF System Basic Mode Card

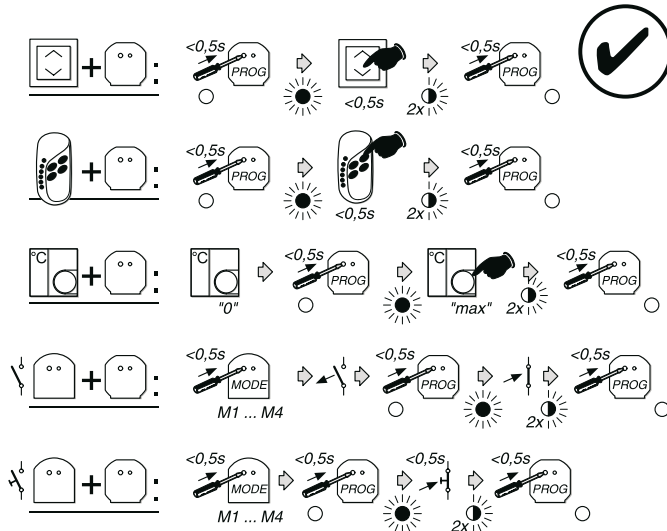
| | | | |
|--|--------------------------|--|--------------------------|
| | CTAA-01/0X CTAA-02/0X | | CSAU-01/0X CSAP-01/0X |
| | CBEU-02/0X | | CJAU-01/0X |
| | CRCA-00/0X | | CDAU-01/0X CDAP-01/0X |
| | CHSZ-00/0X | | 0-10V OUT CAAE-01/0X |



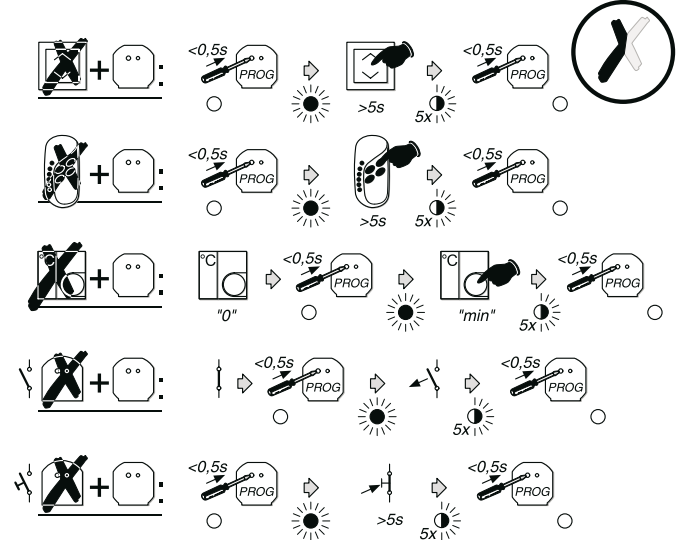
- 1) Brick-type wall approx. 60–90%
- 2) Wood and wood frames with sandwich-type plaster board approx. 80–95%
- 3) Concrete with steel reinforcement approx. 20–60%
- 4) Metal walls approx. 0–10%
- 5) Ordinary glass approx. 70–90%. Insulating glass (metalized) approx. 30 - 60%
- 6) Synthetic material approx. 80–95%

Important: The percentages given are guideline values only. They may vary subject to the respective conditions.

Allocate functions



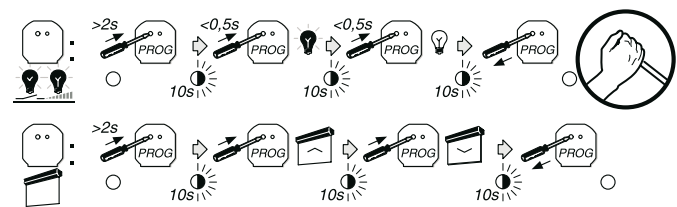
Delete individual sensors

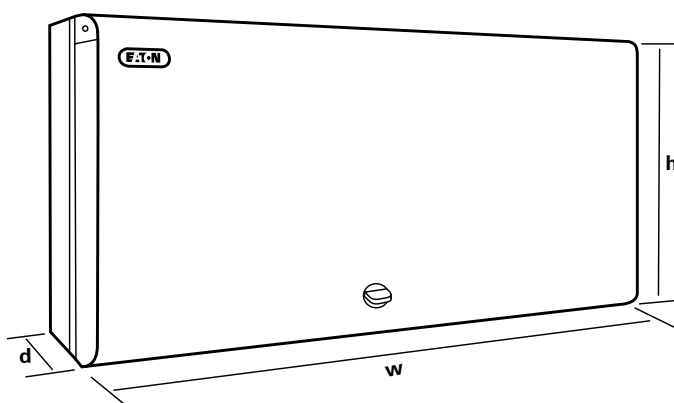


Totally delete an actuator



Manual operation





Isolator controlled full metalclad surface mounting consumer units

| Material | Description | Dimensions (mm) | | | Eaton list number |
|----------|--|-----------------|-----|-----|-------------------|
| | | w | h | d | |
| 179407 | 2 way metal consumer unit 63A isolator | 179 | 223 | 113 | EAS2S |
| 179408 | 6 way metal consumer unit 100A isolator | 251 | 223 | 113 | EAS6S |
| 179409 | 10 way metal consumer unit 100A isolator | 323 | 223 | 113 | EAS10S |
| 179410 | 12 way metal consumer unit 100A isolator | 358 | 223 | 113 | EAS12S |
| 179411 | 14 way metal consumer unit 100A isolator | 394 | 223 | 113 | EAS14S |
| 179412 | 18 way metal consumer unit 100A isolator | 464 | 223 | 113 | EAS18S |
| 183294 | 20 way metal consumer unit 2-pole isolator | 499 | 223 | 113 | EAS20S |
| 179413 | 26 way metal consumer unit 100A isolator | 358 | 420 | 113 | EAS26S |
| 179414 | 38 way metal consumer unit 100A isolator | 464 | 420 | 113 | EAS38S |

RCD controlled full metalclad surface mounting consumer units

| Material | Description | Dimensions (mm) | | | Eaton list number |
|----------|--|-----------------|-----|-----|-------------------|
| | | w | h | d | |
| 179415 | 2 way metal consumer unit 40A 30mA RCD | 179 | 223 | 113 | EAS2H40S |
| 179416 | 2 way metal consumer unit 63A 30mA RCD | 179 | 223 | 113 | EAS2H63S |
| 179417 | 6 way metal consumer unit 63A 30mA RCD | 251 | 223 | 113 | EAS6H63S |
| 179418 | 6 way metal consumer unit 80A 30mA RCD | 251 | 223 | 113 | EAS6H80S |
| 179419 | 6 way metal consumer unit 100A 30mA RCD | 251 | 223 | 113 | EAS6H100S |
| 179420 | 10 way metal consumer unit 100A 30mA RCD | 323 | 223 | 113 | EAS10H100S |
| 179421 | 12 way metal consumer unit 100A 30mA RCD | 394 | 223 | 113 | EAS12H100S |
| 179422 | 18 way metal consumer unit 100A 30mA RCD | 464 | 223 | 113 | EAS18H100S |
| 183295 | 20 way metal consumer unit 100A 30mA RCD | 499 | 223 | 113 | EAS20H100S |

Split load full metalclad surface mounting consumer units

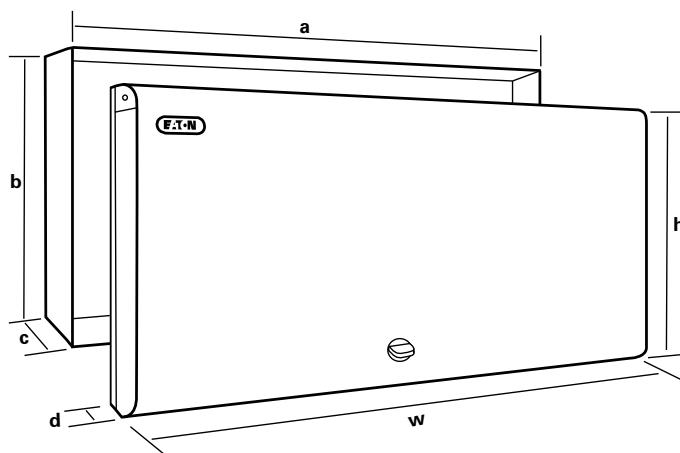
| Material | Description | Dimensions (mm) | | | Eaton list number |
|----------|--|-----------------|-----|-----|-------------------|
| | | w | h | d | |
| 179423 | 8 way metal consumer unit 63A 30mA split load | 323 | 223 | 113 | EAS8H63DS |
| 179424 | 8 way metal consumer unit 80A 30mA split load | 323 | 223 | 113 | EAS8H80DS |
| 179425 | 10 way metal consumer unit 63A 30mA split load | 358 | 223 | 113 | EAS10H63DS |
| 179426 | 10 way metal consumer unit 80A 30mA split load | 358 | 223 | 113 | EAS10H80DS |
| 179427 | 16 way metal consumer unit 80A 30mA split load | 464 | 223 | 113 | EAS16H80DS |
| 183296 | 18 way metal consumer unit 80A 30mA split load | 499 | 223 | 113 | EAS18H80DS |
| 179428 | 24 way metal consumer unit 80A 30mA split load | 358 | 420 | 113 | EAS24H80DS |
| 179429 | 36 way metal consumer unit 80A 30mA split load | 464 | 420 | 113 | EAS36H80DS |

Dual RCD full metalclad surface mounting consumer units

| Material | Description | Dimensions (mm) | | | Eaton list number |
|----------|--|-----------------|-----|-----|-------------------|
| | | w | h | d | |
| 179430 | 10 way metal consumer unit dual RCD 30mA 63A + 63A | 394 | 223 | 113 | EAS10H63H63DS |
| 179431 | 10 way metal consumer unit dual RCD 30mA 80A + 63A | 394 | 223 | 113 | EAS10H80H63DS |
| 179432 | 10 way metal consumer unit dual RCD 30mA 80A + 80A | 394 | 223 | 113 | EAS10H80H80DS |
| 179433 | 14 way metal consumer unit dual RCD 30mA 63A + 63A | 464 | 223 | 113 | EAS14H63H63DS |
| 179434 | 14 way metal consumer unit dual RCD 30mA 80A + 63A | 464 | 223 | 113 | EAS14H80H63DS |
| 179435 | 14 way metal consumer unit dual RCD 30mA 80A + 80A | 464 | 223 | 113 | EAS14H80H80DS |
| 183297 | 16 way metal consumer unit dual RCD 30mA 63A + 63A | 499 | 223 | 113 | EAS16H63H63DS |
| 183298 | 16 way metal consumer unit dual RCD 30mA 80A + 63A | 499 | 223 | 113 | EAS16H80H63DS |
| 183299 | 16 way metal consumer unit dual RCD 30mA 80A + 80A | 499 | 223 | 113 | EAS16H80H80DS |
| 179436 | 22 way metal consumer unit dual RCD 30mA 80A + 80A | 358 | 420 | 113 | EAS22H80H80DS |
| 179437 | 22 way metal consumer unit dual RCD 30mA 80A + 63A | 358 | 420 | 113 | EAS22H80H63DS |
| 179438 | 34 way metal consumer unit dual RCD 30mA 80A + 80A | 464 | 420 | 113 | EAS34H80H80DS |
| 179439 | 34 way metal consumer unit dual RCD 30mA 80A + 63A | 464 | 420 | 113 | EAS34H80H63DS |

Dual tariff full metalclad surface mounting consumer units

| Material | Description | Dimensions (mm) | | | Eaton list number |
|----------|---|-----------------|-----|-----|-------------------|
| | | w | h | d | |
| 179440 | 10 way metal consumer unit dual tariff 2 x 100A | 358 | 223 | 113 | EAS10DDS |
| 179441 | 16 way metal consumer unit dual tariff 2 x 100A | 464 | 223 | 113 | EAS16DDS |



Isolator controlled full metalclad flush mounting consumer units

| Material | Description | Front dimensions | | | Rear dimensions | | | Eaton list number |
|----------|--|------------------|--------|--------|-----------------|--------|--------|-------------------|
| | | w (mm) | h (mm) | d (mm) | a (mm) | b (mm) | c (mm) | |
| 179451 | 2 way metal consumer unit 63A isolator flush | 219 | 265 | 36 | 171 | 220 | 80 | EAS2SF |
| 179452 | 6 way metal consumer unit 100A isolator flush | 291 | 265 | 36 | 243 | 220 | 80 | EAS6SF |
| 179453 | 10 way metal consumer unit 100A isolator flush | 363 | 265 | 36 | 315 | 220 | 80 | EAS10SF |
| 179454 | 12 way metal consumer unit 100A isolator flush | 398 | 265 | 36 | 350 | 220 | 80 | EAS12SF |
| 179455 | 14 way metal consumer unit 100A isolator flush | 434 | 265 | 36 | 386 | 220 | 80 | EAS14SF |
| 179456 | 18 way metal consumer unit 100A isolator flush | 504 | 265 | 36 | 456 | 220 | 80 | EAS18SF |
| 183301 | 20 way metal consumer unit 2-pole isolator flush | 539 | 265 | 36 | 491 | 220 | 80 | EAS20SF |
| 179457 | 26 way metal consumer unit 100A isolator flush | 398 | 461 | 36 | 350 | 416 | 80 | EAS26SF |
| 179458 | 38 way metal consumer unit 100A isolator flush | 504 | 461 | 36 | 456 | 416 | 80 | EAS38SF |

RCD controlled full metalclad flush mounting consumer units

| Material | Description | Front dimensions | | | Rear dimensions | | | Eaton list number |
|----------|--|------------------|--------|--------|-----------------|--------|--------|-------------------|
| | | w (mm) | h (mm) | d (mm) | a (mm) | b (mm) | c (mm) | |
| 179459 | 2 way metal consumer unit 40A 30mA RCD flush | 219 | 265 | 36 | 171 | 220 | 80 | EAS2H40SF |
| 179460 | 2 way metal consumer unit 63A 30mA RCD flush | 219 | 265 | 36 | 171 | 220 | 80 | EAS2H63SF |
| 179461 | 6 way metal consumer unit 63A 30mA RCD flush | 291 | 265 | 36 | 243 | 220 | 80 | EAS6H63SF |
| 179462 | 6 way metal consumer unit 80A 30mA RCD flush | 291 | 265 | 36 | 243 | 220 | 80 | EAS6H80SF |
| 179463 | 6 way metal consumer unit 100A 30mA RCD flush | 291 | 265 | 36 | 243 | 220 | 80 | EAS6H100SF |
| 179464 | 10 way metal consumer unit 100A 30mA RCD flush | 363 | 265 | 36 | 315 | 220 | 80 | EAS10H100SF |
| 179465 | 12 way metal consumer unit 100A 30mA RCD flush | 398 | 265 | 36 | 350 | 220 | 80 | EAS12H100SF |
| 179466 | 18 way metal consumer unit 100A 30mA RCD flush | 504 | 265 | 36 | 456 | 220 | 80 | EAS18H100SF |
| 183302 | 20 way metal consumer unit 100A 30mA RCD flush | 539 | 265 | 36 | 491 | 220 | 80 | EAS20H100SF |

Split load full metalclad flush mounting consumer units

| Material | Description | Front dimensions | | | Rear dimensions | | | Eaton list number |
|----------|--|------------------|--------|--------|-----------------|--------|--------|-------------------|
| | | w (mm) | h (mm) | d (mm) | a (mm) | b (mm) | c (mm) | |
| 179467 | 8 way metal consumer unit 63A 30mA split load flush | 363 | 265 | 36 | 315 | 220 | 80 | EAS8H63DSF |
| 179468 | 8 way metal consumer unit 80A 30mA split load flush | 363 | 265 | 36 | 315 | 220 | 80 | EAS8H80DSF |
| 179469 | 10 way metal consumer unit 63A 30mA split load flush | 398 | 265 | 36 | 350 | 220 | 80 | EAS10H63DSF |
| 179470 | 10 way metal consumer unit 80A 30mA split load flush | 398 | 265 | 36 | 350 | 220 | 80 | EAS10H80DSF |
| 179471 | 16 way metal consumer unit 80A 30mA split load flush | 504 | 265 | 36 | 456 | 220 | 80 | EAS16H80DSF |
| 183303 | 18 way metal consumer unit 80A 30mA split load flush | 539 | 265 | 36 | 491 | 220 | 80 | EAS18H80DSF |
| 179472 | 24 way metal consumer unit 80A 30mA split load flush | 398 | 461 | 36 | 350 | 416 | 80 | EAS24H80DSF |
| 179473 | 36 way metal consumer unit 80A 30mA split load flush | 504 | 461 | 36 | 456 | 416 | 80 | EAS36H80DSF |

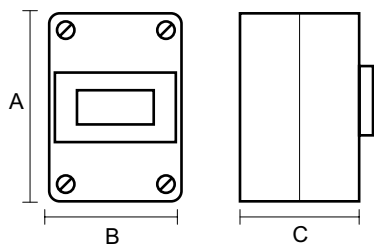
Dual RCD full metalclad flush mounting consumer units

| Material | Description | Front dimensions | | | Rear dimensions | | | Eaton list number |
|----------|--|------------------|--------|--------|-----------------|--------|--------|-------------------|
| | | w (mm) | h (mm) | d (mm) | a (mm) | b (mm) | c (mm) | |
| 179474 | 10 way metal consumer unit dual RCD 30mA 63A + 63A flush | 434 | 265 | 36 | 386 | 220 | 80 | EAS10H63H63DSF |
| 179475 | 10 way metal consumer unit dual RCD 30mA 80A + 63A flush | 434 | 265 | 36 | 386 | 220 | 80 | EAS10H80H63DSF |
| 179476 | 10 way metal consumer unit dual RCD 30mA 80A + 80A flush | 434 | 265 | 36 | 386 | 220 | 80 | EAS10H80H80DSF |
| 179478 | 14 way metal consumer unit dual RCD 30mA 63A + 63A flush | 504 | 265 | 36 | 456 | 220 | 80 | EAS14H63H63DSF |
| 179479 | 14 way metal consumer unit dual RCD 30mA 80A + 63A flush | 504 | 265 | 36 | 456 | 220 | 80 | EAS14H80H63DSF |
| 179480 | 14 way metal consumer unit dual RCD 30mA 80A + 80A flush | 504 | 265 | 36 | 456 | 220 | 80 | EAS14H80H80DSF |
| 183304 | 16 way metal consumer unit dual RCD 30mA 63A + 63A flush | 539 | 265 | 36 | 491 | 220 | 80 | EAS16H63H63DSF |
| 183305 | 16 way metal consumer unit dual RCD 30mA 80A + 63A flush | 539 | 265 | 36 | 491 | 220 | 80 | EAS16H80H63DSF |
| 183306 | 16 way metal consumer unit dual RCD 30mA 80A + 80A flush | 539 | 265 | 36 | 491 | 220 | 80 | EAS16H80H80DSF |
| 179481 | 22 way metal consumer unit dual RCD 30mA 80A + 80A flush | 398 | 461 | 36 | 350 | 416 | 80 | EAS22H80H80DSF |
| 179482 | 22 way metal consumer unit dual RCD 30mA 80A + 63A flush | 398 | 461 | 36 | 350 | 416 | 80 | EAS22H80H63DSF |
| 179483 | 34 way metal consumer unit dual RCD 30mA 80A + 80A flush | 504 | 461 | 36 | 456 | 416 | 80 | EAS34H80H80DSF |
| 179484 | 34 way metal consumer unit dual RCD 30mA 80A + 63A flush | 504 | 461 | 36 | 456 | 416 | 80 | EAS34H80H63DSF |

Dual tariff full metalclad flush mounting consumer units

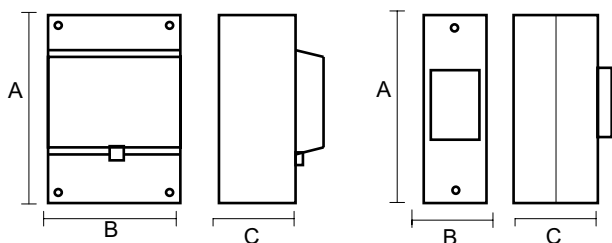
| Material | Description | Front dimensions | | | Rear dimensions | | | Eaton list number |
|----------|---|------------------|--------|--------|-----------------|--------|--------|-------------------|
| | | w (mm) | h (mm) | d (mm) | a (mm) | b (mm) | c (mm) | |
| 179485 | 10 way metal consumer unit dual tariff 2 x 100A Flush | 398 | 265 | 36 | 350 | 220 | 80 | EAS10DDSF |
| 179486 | 16 way metal consumer unit dual tariff 2 x 100A Flush | 504 | 265 | 36 | 456 | 220 | 80 | EAS16DDSF |

Enclosures, dimensional drawings IP65

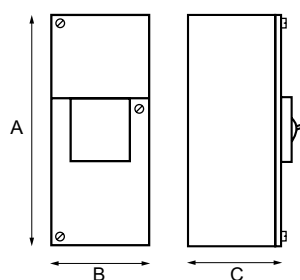


| Eaton list number | Description of modules | Finish | Number | IP rating | Dimensions mm | | |
|----------------------|-----------------------------|---------|--------|-----------|---------------|-----|-----|
| | | | | | A | B | C |
| IKA-1/4-ST-UV | DIN rail enclosure 4 module | Moulded | 4 | 65 | 231 | 166 | 113 |
| IKA-1/6-ST-UV | DIN rail enclosure 6 module | Moulded | 6 | 65 | 231 | 202 | 113 |
| IKA-1/8-ST-UV | DIN rail enclosure 8 module | Moulded | 8 | 65 | 231 | 238 | 118 |

Enclosures dimensions IP40



| Eaton list number | Description | Finish | Number of modules | IP rating | Dimensions mm | | |
|-------------------|-----------------------------|---------|-------------------|-----------|---------------|-----|----|
| | | | | | A | B | C |
| AN2 | DIN rail enclosure 4 module | Moulded | 2 | 40 | 135 | 40 | 65 |
| AN2D | DIN rail enclosure 6 module | Moulded | 2 | 40 | 135 | 40 | 65 |
| AN25 | DIN rail enclosure 8 module | Moulded | 2 | 40 | 135 | 50 | 65 |
| AN2EBD | DIN rail enclosure 6 module | Moulded | 2 | 40 | 135 | 40 | 65 |
| AN4EBLS | DIN rail enclosure 8 module | Moulded | 4 | 40 | 135 | 110 | 88 |



Enclosures metal - IP30

| Eaton list number | Description | Finish | Number of modules | IP rating | Dimensions mm | | |
|----------------------|-----------------------------|--------|-------------------|-----------|---------------|-----|----|
| | | | | | A | B | C |
| EAN2SEBD | DIN rail enclosure 2 module | Metal | 2 | 30 | 194 | 70 | 83 |
| EAN2SEBD1001N | Service Isolator 2 module | Metal | 2 | 30 | 194 | 79 | 83 |
| EAN4SEBD | DIN rail enclosure 4 module | Metal | 4 | 30 | 194 | 115 | 83 |

Consumer units and enclosures technical data

| | Earth | Neutral | Isolator | RCCB | RCBO | MCB |
|---------------------------|-------------------|-------------------|--------------------|-------------------|-------------------|-------------------|
| Connection type | Pinch screw | Pinch screw | Box clamp | Box clamp | Box clamp | Box clamp |
| Screw type | Combination | Combination | Combination | Combination | Combination | Combination |
| Size | M5 | M5 | M6 | M5 | M5 | M5 |
| Min cable size | 1mm ² | 1mm ² | 2.5mm ² | 1mm ² | 1mm ² | 1mm ² |
| Max cable size | 16mm ² | 16mm ² | 50mm ² | 35mm ² | 25mm ² | 25mm ² |
| Recommended torque | Note 1 | Note 1 | 2.5Nm | 2.0Nm | 2.0Nm | 2.0Nm |
| Maximum torque | Note 1 | Note 1 | 5.0Nm | 2.4Nm | 2.4Nm | 2.4Nm |

Note: As terminal is pinch screw, the torque will depend upon cable size and type and should be sufficient to secure termination without damaging conductor strands.

6kA Miniature Circuit Breakers (MCBs) technical data

Eaton's range of 6kA high performance Miniature Circuit Breakers (MCBs) are manufactured to IEC/EN 60898, meeting the latest UK, European and International standards, with ratings from 2A to 63A as standard.

DIN rail mountable and suitable for use with both pin and comb type busbar systems, Eaton's MCBs are suitable for use on 230/240 VAC systems and are calibrated for use at 40°C. These devices suite with the other modular devices including RCBOs, RCCBs and Isolators, for use within Eaton's MEM consumer units and a wide range of other applications.

The Eaton 6kA MCBs are fitted with box clamp terminals suitable for use with cables up to 25mm².

The Eaton 6kA miniature circuit breakers are available with both B and C characteristic curves as standard. Type B MCBs are most commonly used in domestic applications, however the use of type C devices may be desirable e.g. on lighting circuits where high switching surges are involved. Type D devices are not commonly used in other than industrial applications.

| IEC/EN 60898 Type | Instantaneous Trip Current (x I _n) | Typical Application | Eaton 6kA MCB Type |
|-------------------|--|--------------------------------|--------------------|
| B | 3 to 5 | Domestic | EAD B |
| C | 5 to 10 | Commercial Light Industrial | EAD C |
| D | 10 to 20 | General Industrial | - |

Type B: Suitable for general, domestic and commercial installations having little or no switching surges

Type C: Suitable for general use in commercial or industrial applications where the greater use of fluorescent lighting and small motors can produce switching surges, which may cause nuisance tripping of type B breakers.

Type D: Suitable for general industrial applications where there are a lot of high inrush switching surges associated with equipment such as transformers, large motors, welding and X ray equipment.

Earth fault loop impedance's (Zs) to provide compliance with BS 7671

The wiring regulations BS 7671 makes specific reference to MCB types and the maximum earth loop impedance allowable to meet the required disconnection times.

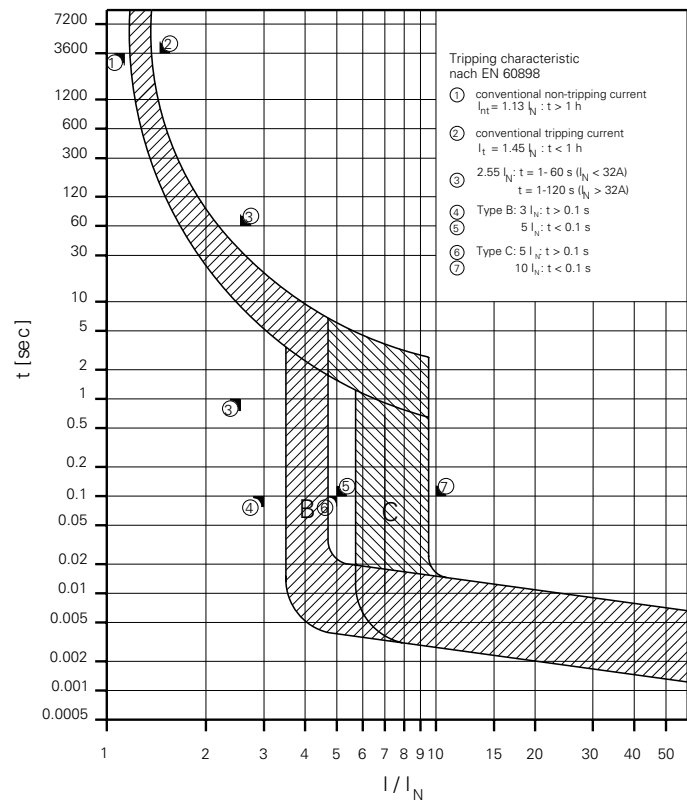
It can be seen that it is much easier to achieve adequate disconnection times with type B devices than it is with types C and indeed type D devices.

Maximum earth fault loop impedance i.e. Zs ohms for final circuits fed from Miniature Circuit Breakers MCBs or RCBOs with U_o of 230V, for instantaneous operation giving compliance with 0.4s disconnection time of Reg 411.3.2.2 and 5s disconnection time of 411.3.2.3

Table Zs Ohms

| Device | Standard | 2A | 4A | 6A | 10A | 13A | 16A | 20A | 25A | 32A | 40A | 45A | 50A | 63A |
|-------------|-------------|-------|-------|------|------|------|------|------|------|------|------|------|------|------|
| Type B MCB | BS EN 60898 | 21.85 | 10.93 | 7.28 | 4.37 | 3.36 | 2.73 | 2.19 | 1.75 | 1.37 | 1.09 | - | 0.87 | 0.69 |
| Type C MCB | BS EN 60898 | 10.93 | 5.46 | 3.64 | 2.19 | 1.68 | 1.37 | 1.09 | 0.87 | 0.68 | 0.55 | - | 0.44 | 0.35 |
| Type B RCBO | BS EN 61009 | - | - | 7.28 | 4.37 | 3.36 | 2.73 | 2.19 | 1.75 | 1.37 | 1.09 | 0.97 | - | - |
| Type C RCBO | BS EN 61009 | - | - | 3.64 | 2.19 | 1.68 | 1.37 | 1.09 | 0.87 | 0.68 | 0.55 | 0.48 | - | - |

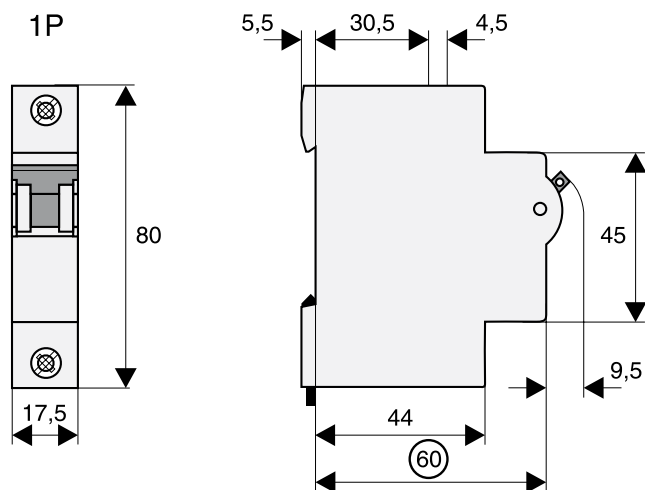
Tripping characteristic type B and C



Note: A minimum Voltage factor C_{min} = 0.95 has been introduced to take account of variations in supply voltage depending on time, place and transformer settings etc., in accordance with Electricity Safety, Quality and Continuity regulations 2002.

The effect of this is to reduce the previous BS7671 maximum earth loop impedance Zs values by 5%.

6kA MCB dimensional drawings



6kA MCB technical data

| | |
|--|---|
| Product standard | IEC/EN 60898 |
| No of poles | 1P |
| Mechanical specification | |
| Device width | 17.7mm |
| Terminal type | Box clamp |
| Terminal capacity | 1 – 25mm ² |
| Terminal screw | M5 combination |
| Terminal torque recommended | 2.0Nm - max 2.4Nm |
| Mounting | DIN rail |
| Degree of protection | IP 20 |
| Positive contact indication | Yes (Toggle position) |
| Electrical specification | |
| Rated voltage | 230/240 V AC |
| Current ratings | 2, 4, 6, 10, 13, 16, 20, 25, 32, 40, 50, 63 A |
| Rated impulse and withstand voltage | 4kV (1.2/50 μ sec) |
| Rated short circuit capacity | 6kA |
| Selectivity class | 3 to IEC/ EN 60898 |
| Tripping characteristic | |
| Instantaneous tripping current I _{mt} | Type B: 3 I _n < I _{mt} < 5 I _n Type C: 5 I _n < I _{mt} < 10 I _n |
| Conventional non tripping current | I _{nt} = 1.13 I _n |
| Conventional tripping current | I _t = 1.45 I _n |
| Ref/calibration temp | 40° C |
| Number of operating cycles elec | >4000 |
| Number of operating cycles mech | >20000 |

12.5

Technical data

Switch and protection devices dimensions and data

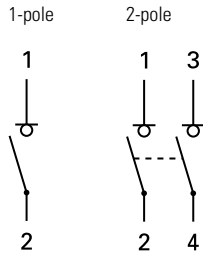
Main load disconnecter switch (Isolators)

The Eaton range of compact modular Isolators are available in Single Pole, Double Pole and Single Pole with Switched Neutral arrangements. Manufactured and tested in accordance with IEC/EN 60947-3 to meet the latest European and International standards.

DIN rail mountable in one or 2 modules width these Isolators are available in 63A and 100A ratings. Suited with the complete range of Eaton's modular devices, providing positive contact position indication and terminal capacity up to 50 mm², these devices are the ideal choice as a Main switch in Eaton's MEM Memera consumer units and other applications.

With rated short circuit capacity at up to 12.5kA these switches are fully rated and tested to IEC/EN 60947-3 for AC23 duty at 240VAC

Connection diagram



Main load disconnecter switch (Isolators) technical data

Specifications

| | |
|------------------|----------------|
| Product standard | IEC/EN 60947-3 |
| No of poles | 1P, 2P, 1P+N |

Mechanical specification

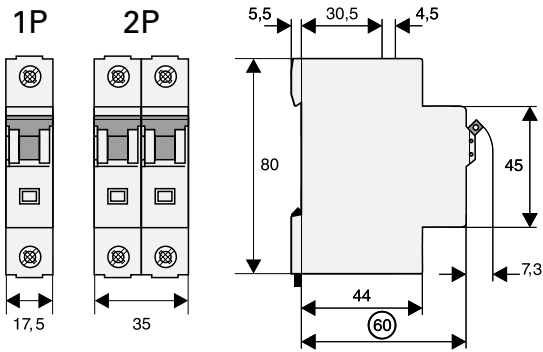
| | |
|-----------------------------|-------------------------|
| Device width | |
| 1p | 17.7mm |
| 2p | 35mm |
| Terminal type | Box clamp |
| Terminal capacity | 2.5 – 50mm ² |
| Terminal screw | M6 combination |
| Terminal torque recommended | 2.5Nm - max 5.0Nm |
| Mounting | DIN rail |
| Degree of protection | IP 10 |
| Positive contact indication | Yes (Red/Green) |

Electrical specification

| | |
|--------------------------------|-----------------------------------|
| Rated voltage | 230/240 V AC |
| Rated current AC23 | 63A, 100A (240V) |
| Rated peak withstand voltage | 6kV |
| Rated insulation voltage | 690V |
| Rated short circuit capacity | |
| 63A | 12.5kA (fuse backup 125A gG max.) |
| 100A | 6kA (fuse backup 125A gG max.) |
| Rated short time withstand Icw | 2kA |
| Rated short circuit making Icm | 2.8kA |

Endurance

| | |
|---------------------------------|--------|
| Number of operating cycles elec | >3000 |
| Number of operating cycles mech | >16000 |



Residual Current Circuit Breakers (RCCBs) technical data

Eaton's range of Residual Current Circuit Breakers without integral Overload protection (RCCBs), are manufactured to IEC/EN 61008 and meet the latest European and International standards.

DIN rail mountable in 2 module width these RCCBs provide protection solutions to a wide range of applications. With standard thermal ratings of 16A to 100A and trip sensitivities of 10mA, 30mA, 100mA and 300mA, these devices can be equipped with a range of modular accessories.

The Eaton RCCBs suite with the complete range of modular devices, and are for use within Eaton's MEM Memera consumer units and other applications.

These devices will accommodate cables up to 35mm².

Terminology

RCD – Residual Current Device:- This is the generic term covering a range of devices that are able to detect residual currents sometimes also referred to as earth leakage current. The residual current is measured by detecting the difference between the current flowing in the live and neutral conductors of a circuit and where the residual current is above a predefined level, the RCD will trip. RCDs are available in a range of sensitivities for different applications.

RCCB – Residual Current Circuit Breaker is an RCD which will cause disconnection of the electrical supply should it detect a residual current passing through the device, above a specified tripping current limit e.g. 30mA. This device does not provide over current protection and is therefore also referred to as an RCCB without integral over current protection.

RCCBO – Residual Current Circuit Breaker, with Overload protection, is an RCD which will cause disconnection of the electrical supply should it detect a residual current above a specified tripping current limit, combined with integral overload, overcurrent, and shortcircuit protection associated with a miniature circuit breaker.

The 17th Edition of the IEE wiring regulations BS7671 now places much greater emphasis on the use of 30mA RCDs to provide "additional protection" in many areas covered by the regulations, such as circuits feeding socket outlets and for the protection of concealed wiring.

Trip sensitivities

10mA – Provides the highest degree of RCD protection in hazardous environments where supplementary protection against electric shock is required. This very high sensitivity should only be applied to final circuits where a high degree of risk exists.

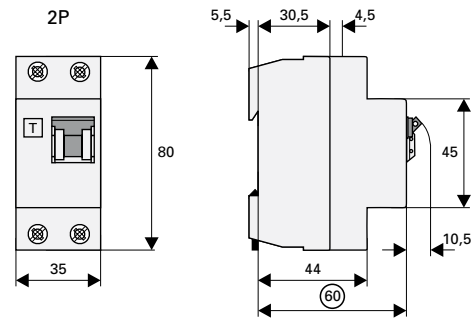
30mA – Provides a high degree of protection against electric shock due to direct and indirect contact. A 30mA RCD will trip within 40mS when a fault current of 150mA is detected.

This type of RCD is required to satisfy the requirements for "Additional Protection" in accordance with BS7671 (IEE wiring regs.)

100mA – Provides a degree of protection against electric shock resulting from indirect contact, and is generally used to protect a group of circuits as well as providing overall protection against Fire risk. Selective time delay version also available to enable selectivity with downstream 30mA RCDs connected in series.

300mA – Provides a lower level of RCD protection in the form of an overall protection against the risk of fire resulting from faults in electrical wiring etc.

RCCB dimensions (mm)



RCCB technical data

Specifications

| | |
|------------------|--------------|
| Product standard | IEC/EN 61008 |
| No of poles | 2P |

Mechanical specification

| | |
|-----------------------------|-------------------------|
| Device width | 35 mm |
| Terminal type | Box clamp |
| Terminal capacity | 1.5 – 35mm ² |
| Terminal screw | M5 combination |
| Terminal torque recommended | 2.0Nm - max 2.4Nm |
| Mounting | DIN rail |
| Degree of protection | IP 20 |
| Positive contact indication | Yes (Toggle position) |

Electrical specification

| | |
|-------------------------------------|-----------------------|
| Rated voltage | 230/240 V AC |
| Current ratings | 16, 40, 63, 80, 100 A |
| Rated impulse and withstand voltage | 4kV (1.2/50 μ sec) |
| Rated short circuit capacity | 10kA |
| Sensitivity | AC |

Tripping characteristic

| | |
|---------------------------------|---------------------|
| Rated tripping currents | 10, 30, 100, 300 mA |
| Tripping type | Instantaneous |
| Number of operating cycles elec | >4000 |
| Number of operating cycles mech | >20000 |

12.5

Technical data

Switch and protection devices dimensions and data

Compact Residual Current Circuit Breakers – with Overload protection (RCBOs) technical data

Eaton's range of new compact Residual Current Circuit Breakers with integral Overload protection (RCBOs), are manufactured to IEC/EN 61009 and meet the latest European and International standards.

DIN rail mountable in a single module width these RCBOs provide a comprehensive protection solution to a wide range of applications. With standard current ratings from 6A to 45A, in both B and C Type characteristics and a trip sensitivity of 30mA, these devices are the ideal choice for domestic applications.

The Eaton RCBOs suite with the complete range of modular devices, and are for use within Eaton's MEM Memera consumer units and other applications.

These devices will accommodate cables up to 16mm².

Trip Sensitivity 30mA Standard

Provides a high degree of protection against electric shock due to direct and indirect contact. A 30mA RCD will trip within 40mS when a fault current of 150mA is detected.

This type of RCD is required to satisfy the requirements for "Additional Protection" in accordance with BS7671 (IEE wiring regs.) Other sensitivities are available on request.

RCBOs technical data

Specifications

| | |
|------------------|--------------|
| Product standard | IEC/EN 61009 |
| No of poles | 1P & solid N |

Mechanical specification

| | |
|-----------------------------|-----------------|
| Device width | 17.7 mm |
| Terminal type | Box clamp |
| Mounting | DIN rail |
| Degree of protection | IP 20 |
| Positive contact indication | Yes (red/green) |

Electrical specification

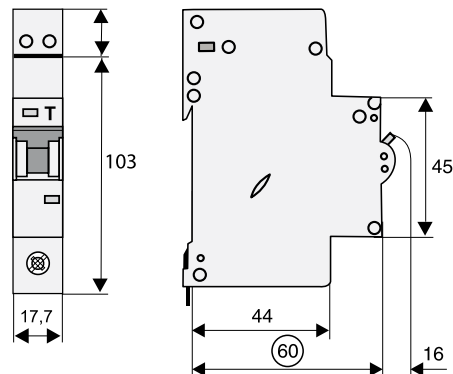
| | |
|-------------------------------------|--------------------------------|
| Rated voltage | 230/240 V AC |
| Current ratings | 6, 10, 16, 20, 25, 32, 40, 45A |
| Rated impulse and withstand voltage | 4kV (1.2/50 μ sec) |
| Rated short circuit capacity | 6kA |
| Sensitivity | AC |

Tripping characteristic

| | |
|---|--|
| Instantaneous Tripping current I _{mt} | Type B: 3 I _n < I _{mt} < 5 I _n |
| | Type C: 5 I _n < I _{mt} < 10 I _n |
| Conventional non tripping current I _{nt} | 1.13 I _n |
| Conventional tripping current I _t | 1.45 I _n |
| Ref / Calibration temp | 40° C |
| Rated residual tripping current | 30mA |
| Residual tripping type | Instantaneous |
| Number of operating cycles elec | >4000 |
| Number of operating cycles mech | >20000 |

| | LOAD | LINE |
|-----------------------------|---------------------|---------------------|
| Terminal capacity | 1–16mm ² | 1–25mm ² |
| Terminal screw | M4 | M5 |
| Terminal torque recommended | 1.2–1.5Nm | 2.0–2.5Nm |

RCBOs dimensions (mm)



Single pole & neutral switchfuse

The **800KMF** is a fully moulded, compact wall mounted, SP&N switchfuse rated at up to 80A, complying with BS EN 60947-3 for duty AC22B, 240v AC. The unit is fitted with a fully insulated pull out fuse carrier, which will accommodate HRC fuse links complying with BS 88-3 (BS1361) and rated between 45 -80A.

Wall mounted switch fuses technical data

Specification

| | | | |
|-------------------------|-----------------------|--------------------|-----------|
| Product standard | IEC/EN 60947-3 | | |
| No of poles | 1P+N | | |
| Rated Voltage | 230/240VAC | | |
| Terminal capacity: | | | |
| 800KMF | Main terminals | 25 mm ² | (Maximum) |
| | Earth terminals | 16 mm ² | (Maximum) |

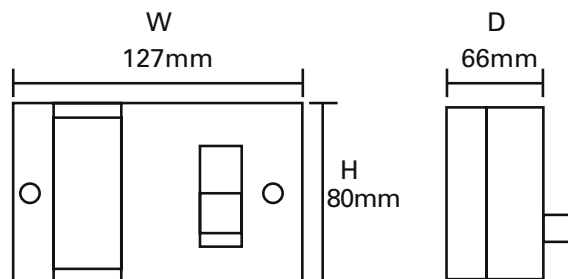
Rated current and fuse details

| Type | Rating (A) | Class | Finish | IP rating | Fuse (A) | Standard |
|--------|------------|-------|---------|-----------|----------|------------------|
| 800KMF | 80 | AC22 | Moulded | 40 | 80 | BS 88-3 (BS1361) |

Replacement fuse-links

| Switch | Standard | Rating (A) | Ordering reference |
|--------|------------------|------------|--------------------|
| 800KMF | BS 88-3 (BS1361) | 80 | 804R/80KR85 |
| 800KMF | BS 88-3 (BS1361) | 60 | 604R/60KR85 |
| 800KMF | BS 88-3 (BS1361) | 50 | 504R/50KR85 |
| 800KMF | BS 88-3 (BS1361) | 45A | 454R/45KR85 |

800KMF dimensions (mm)



Analogue time switches

| | TSSD1C0 | TSSD1N0 | TSQW1C0 | TSQD1C0 | TSQD1N0 |
|---|-----------------|-----------------|-------------------------------|------------------------------|-----------------|
| General | | | | | |
| Operating voltage | 230V AC | 230 V AC | 110 - 230 V AC | 110 - 230 V AC | 230 - 240 V AC |
| Frequency | 50 Hz | 50 Hz | 50 - 60 Hz | 50 - 60 Hz | 50 - 60 Hz |
| Stand-by power | 0.5 W | 0.5 W | 0.5 W | 0.5 W | 0.5 W |
| Time control | Net | Net | Quartz | Quartz | Quartz |
| Accuracy | acc. Net | acc. Net | ± 1 sec. / day | ± 1 sec. / day | ± 1 sec. / day |
| Power reserve | - | - | 200 hrs / 100 hrs at 110 V | 200 hrs/ 100 hrs at 110 V | ±3 days |
| Battery type | - | - | NiMH | NiMH | NiMH |
| Degree of protection (EN 60529) | IP20 | IP20 | IP20 | IP20 | IP20 |
| Ambient temperature | -20 °C...+55 °C | -20 °C...+50 °C | -20 °C...+55 °C | -20 °C...+55 °C | -10 °C...+50 °C |
| Protection class (EN 60730-1) | II | II | II | II | II |
| Switching contact(s) | | | | | |
| Type of switching contact | 1 x CO | 1 x NO | 1 x CO | 1 x CO | 1 x NO |
| Switching capacity at 250 V~, cos = 1 | 16 A | 16 A | 16 A | 16 A | 16 A |
| Switching capacity at 250 V~, cos = 0,6 | 4A | 4 A | 4 A | 4 A | 4 A |
| Programming features | | | | | |
| Period of program | Day | Day | Week | Day | Day |
| Number of channels | 1 | 1 | 1 | 1 | 1 |
| Minimum cycle time | 15 min. | 15 min. | 2 hrs | 15 min. | 15 min. |
| Programmable | every 15 min. | every 15 min. | every 2 hrs | every 15 min. | every 15 min. |
| Program steps | 96 | 96 | 84 | 96 | 96 |
| Manual / Hand / Permanent switching ¹⁾ | On, Off, Auto | On, Off, Auto | On, Off, Auto | On, Off, Auto | On, Off, Auto |
| Switching status indication | x | x | x | x | x |
| Dimensions and weight | | | | | |
| Number of module width | 3 | 1 | 3 | 3 | 1 |
| Dimensions width | 52.5 mm | 17.5 mm | 52.5 mm | 52.5 mm | 17.5 mm |
| Height | 90 mm | 90 mm | 90 mm | 90 mm | 90 mm |
| Depth | 65.5 mm | 65.5 mm | 65.5 mm | 65.5 mm | 65.5 mm |
| Mounting | DIN-rail | DIN-rail | DIN-rail | DIN-rail | DIN-rail |
| Terminals | | | | | |
| Terminal screw size | M3.5 | M3.5 | M3.5 | M3.5 | M3.5 |

¹⁾ Remark

ON = Permanent ON

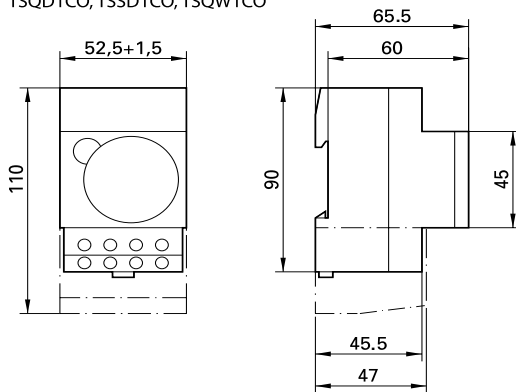
OFF = Permanent OFF

Hands = ON or OFF. valid until next program cycle overrules

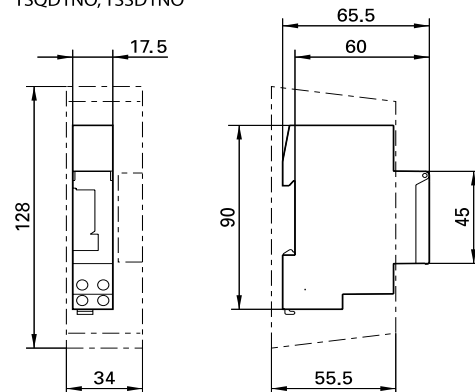
Auto = According program

Analogue daily and weekly timers - dimensional drawings

TSQD1CO, TSSD1CO, TSQW1CO

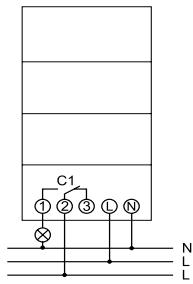


TSQD1NO, TSSD1NO

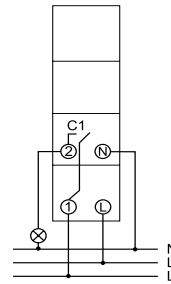


Analogue daily and weekly time switches - wiring diagrams

TSQD1CO, TSSD1CO, TSQW1CO



TSQD1NO, TSSD1NO



Digital timers - week programme

| | TSDW1CO | TSDW1COMIN | TSDW2CO | TSDW1COA | TSDW1CODG |
|---|------------------|------------------------|------------------|------------------|---------------------|
| General | | | | | |
| Nominal operating voltage | 220 - 240 V AC | 240 V AC | 220 - 240 V AC | 230 - 240 V AC | 230 - 240 V AC |
| Frequency | 50 - 60 Hz | 50 - 60 Hz | 50 - 60 Hz | 50 - 60 Hz | 50 - 60 Hz |
| Stand-by power | 0,8 W | 0,4 W | 0,8 W | 0,8 W | 1,4 W |
| Time base control ¹⁾ | Quartz | Quartz | Quartz | Astro | Quartz or DCF / GPS |
| Accuracy | ± 0,5 sec. / day | ±0,5 sec. / day | ± 0,5 sec. / day | ± 0,5 sec. / day | ± 0,5 sec. / day |
| Power reserve | 10 year | 10 year | 10 year | 10 year | 10 year |
| Type of battery | Lithium | Lithium (exchangeable) | Lithium | Lithium | Lithium |
| Protection class (acc. EN 60529) | IP20 | IP20 | IP20 | IP20 | IP20 |
| Permissible ambient temperature | -30 °C...+55 °C | -25 °C...+55 °C | -30 °C...+55 °C | -30 °C...+55 °C | -30 °C...+55 °C |
| Protection class at proper installation (acc. EN 60730-1) | II | II | II | II | II |
| Switching contact(s) | | | | | |
| Type of switching contact | 1 x CO | 1 x CO | 2 x CO | 1 x CO | 1 x CO |
| Switching capacity at 250 V~, cos φ = 1 | 16 A | 16 A | 16 A | 16 A | 16 A |
| Switching capacity bij 250 V~, cos φ = 0,6 | 10 A | 6 A | 10 A | 10 A | 10 A |
| Switching capacity for lighting | | | | | |
| - Incandescent lamp | 2600 W | 1000 W | 2600 W | 2600 W | 2600 W |
| - Halogen lamp | 2600 W | 1000 W | 2600 W | 2600 W | 2600 W |
| Programming features | | | | | |
| Period of programme | Week | Week | Week | Week | Week |
| Number of channels | 1 | 1 | 2 | 1 | 1 |
| Minimum switching capacity | 10 mA | - | 10 mA | 10 mA | - |
| Minimum cycle time | 1 min. | 1 min. | 1 min. | 1 min. | 1 sec. |
| Maximum programming steps in memory | 56 | 56 | 56 | 56 | 84 |
| Summer / wintertime automatic (or manual on/off) | Yes | Yes | Yes | Yes | Yes |
| Random programme | No | No | No | No | Yes (2) |
| Holiday programme | Yes | Yes | Yes | Yes | Yes |
| Cycle programme | No | No | No | No | Yes |
| Astro function | No | No | No | Yes | No |
| Pulse switching | No | No | No | No | Yes |
| Manual switching ²⁾ | On, Off, Auto | On, Off, Auto | On, Off, Auto | On, Off, Auto | On, Off, Auto |
| LCD backlighting | Yes | - | Yes | Yes | Yes |
| PIN code | Yes | Yes | Yes | Yes | Yes |
| Dimensions and weight | | | | | |
| Number of module width | 2 | 1 | 2 | 2 | 2 |
| Dimensions | Width | 35.8 mm | 17.5 mm | 35.8 mm | 35.8 mm |
| | Height | 90.1 mm | 90 mm | 90.1 mm | 90.1 mm |
| | Depth | 69.2 mm | 65.5 mm | 69.2 mm | 69.2 mm |
| Mounting | DIN-rail | DIN-rail | DIN-rail | DIN-rail | DIN-rail |
| Terminals | | | | | |
| Terminal type | Spring | Screw | Spring | Spring | Spring |

1) Remark:

Astro function: Automatic calculation of sunrise and sunset times

DCF / GPS: Time synchronization is possible by connecting external antenna (TSADCF of TSAGPSKIT).

2) Remark:

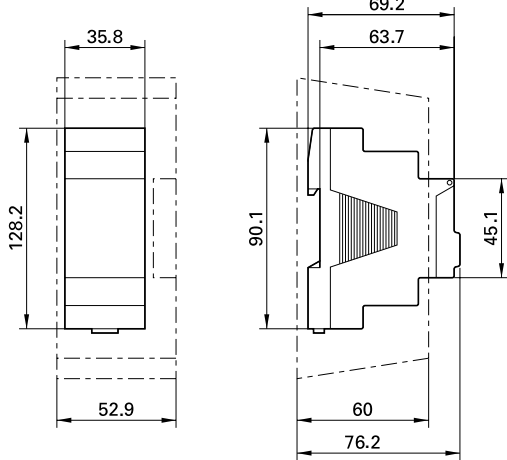
ON = Permanent ON

OFF = Permanent OFF

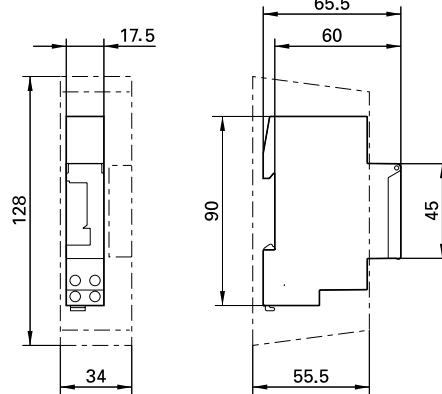
Auto = According Programme

Digital weekly time switches - dimensional drawings

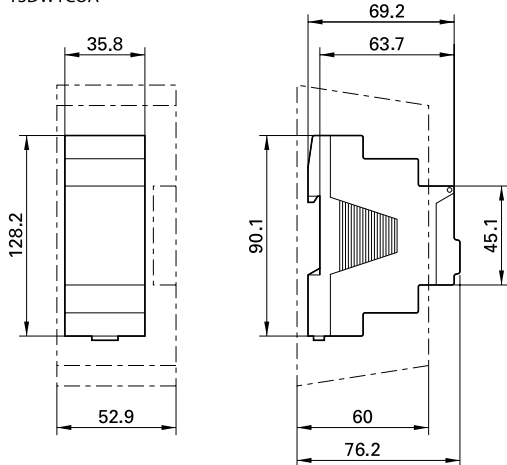
TSDW1CO, TSDW2CO



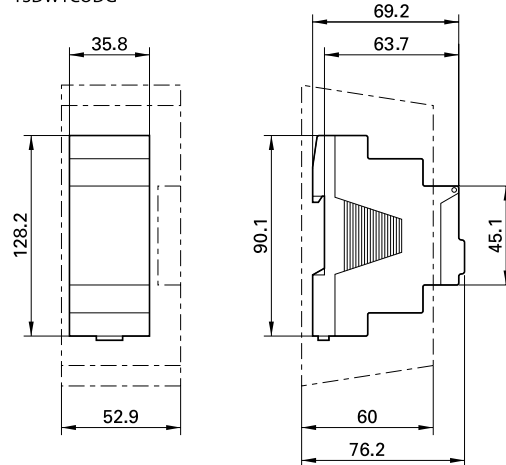
TSDW1COMIN



TSDW1COA

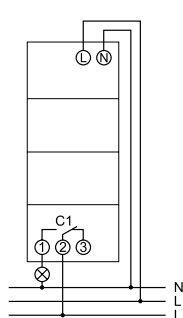


TSDW1CODG

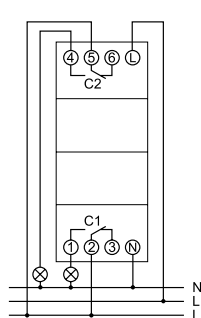


Digital weekly timers - wiring diagrams

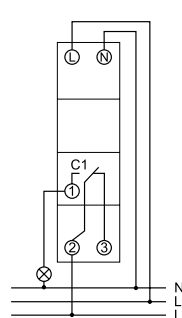
TSDW1CO



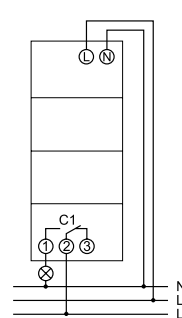
TSDW2CO



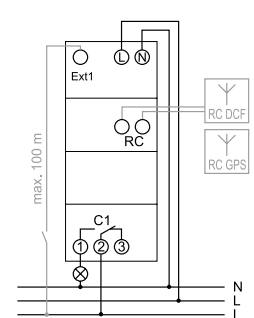
TSDW1COMIN



TSDW1COA



TSDW1CODG



12.6

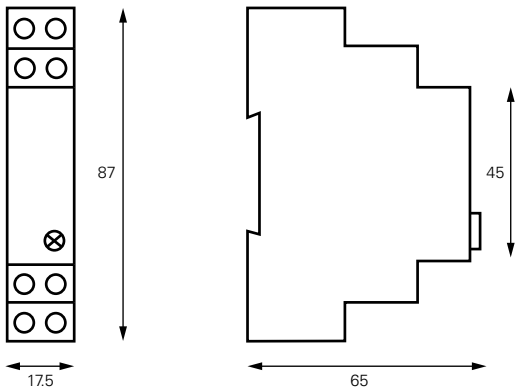
Technical data

Control and switching devices dimensions and data

Staircase timer

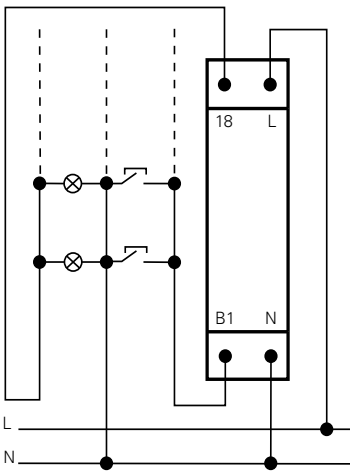
| Staircase Timer | TLE |
|---|-----------------------------|
| General | |
| Nominal operating voltage | 230 Vac |
| Frequency | 50 - 60 Hz |
| Power consumption | 6 VA (0.8W) |
| Time setting | 0.5 – 15 min. |
| Mechanical endurance (switching cycles) | > 30 x 10 ⁶ |
| Electrical endurance (switching cycles) | > 10 x 10 ⁵ |
| Temperature range | -25 °C - +55 °C |
| Switching contact(s) | |
| Type of switching contact | 1 x NO (not potential free) |
| Switching capacity at 250 Vac, cos j =1 | 16 A |
| Switching capacity for lighting : | |
| Incandescent | 2000 W |
| Fluorescant | 1000 W |
| Compact fluorescent | 500 W |
| Features | |
| Maximum load for push button illumination | 100 mA |
| Automatic 3/4 wire detection | Yes |
| Permanent on function | Yes |
| Warning before switch off | Yes |
| Time extension | Yes |
| Pulse switching (on & off) | Yes |
| Dimensions | |
| Number of modules | 1 module |
| Width | 17.5 mm |
| Height | 87 mm |
| Depth | 60 mm |
| Terminals | |
| Terminal capacity | 0.5 - 4.00 ² mm |
| Maximum torque | 0.8 Nm |

Staircase timer - dimensional drawing

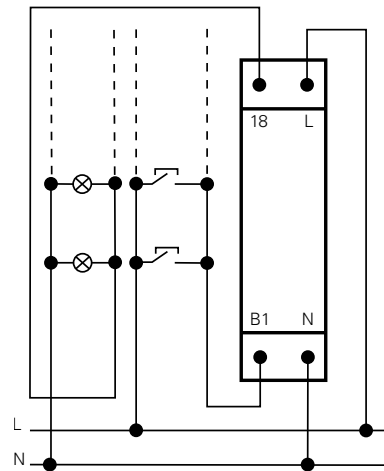


Staircase timer TLE - example wiring diagrams

The staircase timer can be wired utilising either the 3-wire or 4-wire configuration as shown in the wiring diagrams below.



3-wire configuration



4-wire configuration



12.6

Technical data

Control and switching devices dimensions and data

Contactors type CR - technical data

| Products | Contactors | | | | Aux. contact |
|--|--------------------------|----------------|----------------|----------------|---------------|
| Rating | 20 A | 25 A | 40 A | 63 A | 6A |
| General | | | | | |
| Standards | IEC 60947-4-1, IEC 61095 | | | | IEC 60947-5-1 |
| Nominal operating voltage 1-phase Ue 1-ph. | 230 V | 230 V | 230 V | 230 V | 230 V |
| Nominal operating voltage 3-phase Ue 3-ph. | 400 V | 400 V | 400 V | - | - |
| Overvoltage protection on coil | 430 V (*5) | 430 V (*5) | 430 V | 430 V | |
| Mechanical endurance (switching cycles) | 3.000.000 | 3.000.000 | 3.000.000 | 3.000.000 | 3.000.000 |
| Protection class (acc. DIN 40 050, IEC 529) | IP20 | IP20 | IP20 | IP20 | IP20 |
| Permissible ambient temperature | -5...+55 °C | -5...+55 °C | -5...+55 °C | -5...+40 °C | -5...+55 °C |
| Storage temperature | -30...+80 °C | -30...+80 °C | -30...+80 °C | -30...+80 °C | -30...+80 °C |
| Contact rating | | | | | |
| Rated insulation voltage Ui | 440 V | 440 V | 500 V | 500 V | 500 V |
| Frequency | 50/60 Hz | 50/60 Hz | 50/60 Hz | 50/60 Hz' | 50/60 Hz |
| Rated impulse withstand voltage Uimp | 4 kV | 4 kV | 4 kV | 4 kV | 4 kV |
| Rated thermal current Ith | 20 A | 25 A | 40 A | 63 A | 6 A |
| AC1 / AC7a Rated operational current Ie | 20 A | 25 A | 40 A | 63 A | - |
| AC1 / AC7a Operational power rating at Ue = 230 Vac Pmax | 4 kW | 9 kW | 16 kW | 24 kW | - |
| AC1 / AC7a Operational power rating at Ue = 400 Vac Pmax | 16 kW | 26 kW | 40 kW | - | - |
| AC3 / AC7b Operational power rating at Ue = 230 Vac Pmax | 1,3 kW (*1) | 2,2 kW | 5,5 kW | 8,5 kW | - |
| AC3 / AC7b Operational power rating at Ue = 400 Vac Pmax | 4 kW | 11 kW | 15 kW | - | - |
| DC1 Rated thermal current at Ue = 24 Vdc Ie | 20 A | 25 A | 40 A | 63 A | - |
| DC1 Rated thermal current at Ue = 110 Vdc Ie | 1A | 2A | 4A | 4A | - |
| DC1 Rated thermal current at Ue = 220 Vdc Ie | 0,5 A | 0,5 A | 0,8 A | 0,8 A | - |
| DC1 Rated thermal current at Ue = 24 Vdc (2-poles in series) Ie | 20 A | 25 A | 40 A | 63 A | - |
| DC1 Rated thermal current at Ue = 110 Vdc (2-poles in series) Ie | 3 A | 4 A | 10 A | 10 A | - |
| DC1 Rated thermal current at Ue = 220 Vdc (2-poles in series) Ie | 1,5 A | 1,5 A | 6 A | 6 A | - |
| DC1 Rated thermal current at Ue = 24 Vdc (3-poles in series) | - | 25 A | 40 A | 63 A | - |
| DC1 Rated thermal current at Ue = 110 Vdc (3-poles in series) | - | 6:00 AM | 30 A | 35 A | - |
| DC1 Rated thermal current at Ue = 220 Vdc (3-poles in series) | - | 2,5 A | 20 A | 30 A | - |
| Electrical endurance | | | | | |
| Maximum operating cycles at AC1 / AC7a application | 200.000 x | 200.000 x | 100.000 x | 100.000 x | - |
| Maximum operating cycles at AC3 / AC7b application | 300.000 x | 500.000 x | 150.000 x | 150.000 x | - |
| Maximum operating cycles at AC5a application | 100.000 x | 100.000 x | 100.000 x | 100.000 x | - |
| Maximum operating cycles at AC5b application | 100.000 x (*2) | 100.000 x (*2) | 100.000 x (*3) | 100.000 x (*4) | - |
| Maximum operating cycles per hour | 600 x | 600 x | 600 x | 600 x | 600 x |
| Power dissipation per contact at In | 1,7 W | 2,2 W | 4 W | 8 W | - |
| Maximum back-up fuse | 25 A gL | 35 A gL | 63 A gL | 80 A gL | - |
| Rating | 20 A | 25 A | 40 A | 63 A | 6 A |
| Operating coil (for combined ac/dc types only – CR....) | | | | | |
| Coil inrush power (for all voltage ratings) | 2,5 W | 3 W | 5 W | 5 W | - |
| Coil consumption (for all voltage ratings) | 2,5 W | 3 W | 5 W | 5 W | - |
| Closing delay | 15-25 ms | 15-30 ms | 15-20 ms | 15-20 ms | - |
| Opening delay | 35-45 ms | 50-80 ms | 35-45 ms | 35-45 ms | - |
| Operating coil (for ac types only – CR....A) | | | | | |
| Coil inrush power (for all voltage ratings) | 13 W / 15 VA | 17 W / 27 VA | - | - | - |
| Coil consumption (for all voltage ratings) | 2 W / 5 VA | 1 W / 2,7 VA | - | - | - |
| Closing delay | 15 ms | 15-25 ms | - | - | - |
| Opening delay | 10 ms | 35-45 ms | - | - | - |

Contactors type CR - technical data (continued)

| Products | Contactors | | | | Aux. contact |
|--|---------------------------|---------------------------|---------------------------|---------------------------|---------------------------|
| Dimensions | | | | | |
| Width | 18 mm | 35 mm | 54 mm | 54 mm | 9 mm |
| Height | 85 mm | 85 mm | 85 mm | 85 mm | 85 mm |
| Depth | 60 mm | 60 mm | 60 mm | 60 mm | 60 mm |
| Terminals for main & auxiliary contacts | | | | | |
| Terminal capacity – fine stranded wire | 1.....6 mm ² | 1.....6 mm ² | 1.....16 mm ² | 1.....16 mm ² | 1.....2,5 mm ² |
| Terminal capacity – solid wire | 1.....10 mm ² | 1.....10 mm ² | 1.....25 mm ² | 1.....25 mm ² | 1.....2,5 mm ² |
| Terminal screw size | M3,5 | M3,5 | M5 | M5 | M3 |
| Terminal screw head type (Pozidrive) | PZ Size 1 | PZ Size 1 | PZ Size 2 | PZ Size 2 | PZ Size 1 |
| Maximum torque | 1,2 Nm | 1,2 Nm | 2,0 Nm | 2,0 Nm | 0,8 Nm |
| Terminals for operating coils | | | | | |
| Terminal capacity – fine stranded wire | 1.....2,5 mm ² | 1.....2,5 mm ² | 1.....2,5 mm ² | 1.....2,5 mm ² | |
| Terminal capacity – solid wire | 1.....2,5 mm ² | 1.....2,5 mm ² | 1.....2,5 mm ² | 1.....2,5 mm ² | |
| Terminal screw size | M3 | M3 | M3 | M3 | |
| Terminal screw head type (Pozidrive) | PZ Size 1 | PZ Size 1 | PZ Size 1 | PZ Size 1 | |
| Maximum torque | 0,6 Nm | 0,6 Nm | 0,6 Nm | 0,6 Nm | |

Remarks:

*1) Only applicable for normally open contact(s)

*2) At 1,5 kW

*3) At 3 kW

*4) At 5 kW

*5) For CR.... types only (combined ac/dc types), NOT for CR....A types

Contactors type CR - lamp load table

| Lighting Type | Lamp load (Watt) | | | | Maximum number of fittings per contactor type |
|---------------------------|------------------|-------|-------|-------|---|
| | CR 20 | CR 25 | CR 40 | CR 63 | |
| Incandescent lamp | | | | | |
| | 15 | 86 | 110 | 228 | 480 |
| | 25 | 52 | 72 | 180 | 290 |
| | 40 | 32 | 50 | 122 | 195 |
| | 60 | 21 | 33 | 86 | 130 |
| | 75 | 17 | 26 | 69 | 104 |
| | 100 | 13 | 20 | 52 | 78 |
| | 150 | 8 | 13 | 34 | 52 |
| | 200 | 6 | 10 | 26 | 39 |
| | 250 | 5 | 8 | 20 | 31 |
| | 300 | 4 | 6 | 17 | 26 |
| | 500 | 2 | 4 | 10 | 15 |
| | 1000 | 1 | 2 | 5 | 7 |
| Energy saving lamp | | | | | |
| | 3 | 42 | 52 | 83 | 120 |
| | 5 | 42 | 52 | 83 | 120 |
| | 7 | 42 | 52 | 83 | 120 |
| | 9 | 36 | 45 | 72 | 104 |
| | 11 | 33 | 41 | 65 | 94 |
| | 15 | 30 | 37 | 59 | 85 |
| | 20 | 29 | 36 | 57 | 82 |
| | 23 | 28 | 35 | 56 | 81 |

Contactors type CR - lamp load table (continued)

| Lighting Type | Lamp load (Watt) | | | | Maximum number of fittings per contactor type |
|---|------------------|-------|-------|-------|---|
| | CR 20 | CR 25 | CR 40 | CR 63 | |
| Fluorescent lamp – conventional supply | | | | | |
| Single fitting – Uncompensated (inductive) | 18 | 22 | 24 | 90 | 140 |
| | 24 | 22 | 24 | 90 | 140 |
| | 36 | 17 | 20 | 65 | 95 |
| | 58 | 14 | 17 | 45 | 70 |
| Single fitting – Compensated (capacitive) | 18 | 7 | 8 | 48 | 73 |
| | 24 | 7 | 8 | 48 | 73 |
| | 36 | 7 | 8 | 48 | 73 |
| | 58 | 4 | 5 | 31 | 47 |
| Double fitting – Series compensated | 2 x 18 | 30 | 40 | 100 | 150 |
| | 2 x 24 | 24 | 31 | 78 | 118 |
| | 2 x 36 | 17 | 24 | 65 | 95 |
| | 2 x 58 | 10 | 14 | 40 | 60 |
| Fluorescent lamp – HF electronic | | | | | |
| Single fitting – HF Electronic | 18 | 25 | 31 | 49 | 71 |
| | 24 | 18 | 22 | 35 | 50 |
| | 36 | 14 | 17 | 27 | 39 |
| | 58 | 8 | 10 | 16 | 23 |
| Double fitting – HF Electronic | 2 x 18 | 12 | 15 | 24 | 35 |
| | 2 x 24 | 9 | 11 | 17 | 25 |
| | 2 x 36 | 7 | 8 | 13 | 19 |
| | 2 x 58 | 4 | 5 | 8 | 11 |
| Compact fluorescent lamp | | | | | |
| Conventional supply | 5 | 38 | 48 | 77 | 121 |
| | 7 | 27 | 34 | 54 | 86 |
| | 9 | 21 | 26 | 42 | 67 |
| | 11 | 17 | 21 | 35 | 55 |
| Electronic supply | 5 | 39 | 49 | 78 | 124 |
| | 7 | 39 | 49 | 78 | 124 |
| | 9 | 30 | 38 | 61 | 96 |
| | 11 | 25 | 31 | 50 | 79 |
| High pressure mercury vapour lamp | | | | | |
| Uncompensated | 50 | 14 | 18 | 38 | 55 |
| | 80 | 10 | 13 | 29 | 42 |
| | 125 | 7 | 9 | 20 | 29 |
| | 250 | 4 | 5 | 10 | 15 |
| | 400 | 2 | 3 | 7 | 10 |
| Parallel compensated | 50 | 4 | 5 | 31 | 47 |
| | 80 | 4 | 5 | 27 | 41 |
| | 125 | 3 | 4 | 22 | 33 |
| | 250 | 1 | 2 | 12 | 18 |
| | 400 | 1 | 1 | 9 | 13 |
| Halogen metal vapour lamp | | | | | |
| Uncompensated | 35 | 18 | 22 | 43 | 60 |
| | 70 | 10 | 12 | 23 | 32 |
| | 150 | 5 | 7 | 12 | 18 |
| | 250 | 3 | 4 | 7 | 10 |
| | 400 | 3 | 3 | 6 | 9 |
| Parallel compensated | 35 | 5 | 6 | 36 | 50 |
| | 70 | 2 | 3 | 18 | 25 |
| | 150 | 1 | 1 | 11 | 15 |
| | 250 | - | 1 | 6 | 9 |
| | 400 | - | 1 | 6 | 8 |

Contactors type CR - lamp load table (continued)

| Lighting Type | Lamp load (Watt) | | | | Maximum number of fittings per contactor type |
|---|------------------|-------|-------|-------|---|
| | CR 20 | CR 25 | CR 40 | CR 63 | |
| Low pressure sodium vapour lamp | | | | | |
| Uncompensated | 18 | 22 | 27 | 71 | 90 |
| | 35 | 7 | 9 | 23 | 30 |
| | 55 | 7 | 9 | 23 | 30 |
| | 90 | 4 | 5 | 14 | 19 |
| | 135 | 3 | 4 | 10 | 13 |
| | 180 | 3 | 4 | 10 | 13 |
| Parallel compensated | 18 | 6 | 7 | 44 | 66 |
| | 35 | 1 | 1 | 11 | 16 |
| | 55 | 1 | 1 | 11 | 16 |
| | 90 | 1 | 1 | 8 | 12 |
| | 135 | - | - | 4 | 7 |
| | 180 | - | - | 4 | 7 |
| High pressure sodium vapour lamp | | | | | |
| Uncompensated | 150 | 5 | 6 | 17 | 22 |
| | 250 | 3 | 4 | 10 | 13 |
| | 400 | 2 | 2 | 6 | 8 |
| | 1000 | - | 1 | 3 | 3 |
| Parallel compensated | 150 | 1 | 1 | 11 | 16 |
| | 250 | - | 1 | 6 | 10 |
| | 400 | - | - | 4 | 6 |
| | 1000 | - | - | 2 | 3 |

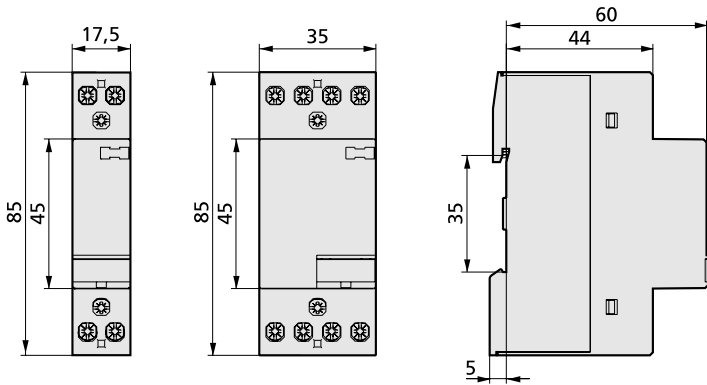
General remarks:

- 1) In case a 4-pole contactor is used (3 ph. + neutral) the above mentioned quantity of lamps need to be multiplied by 1,5 to obtain the maximum quantity of fittings for the contactor. The total quantity of fitting need to be split equally across the 3 poles.
- 2) In case multiple contactors are installed in one panel it is required to multiply the above mentioned fittings by the applicable load factor according the IEC 60439-1.
- 3) It is recommended to install one spacer between each 2 contactors installed (eg contactor, contactor, spacer, contactor, etc.)

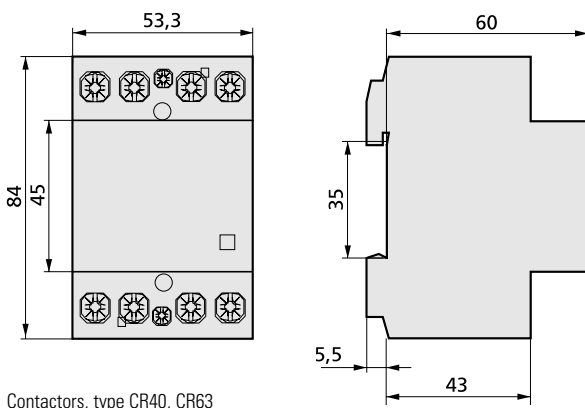
12.6

Technical data

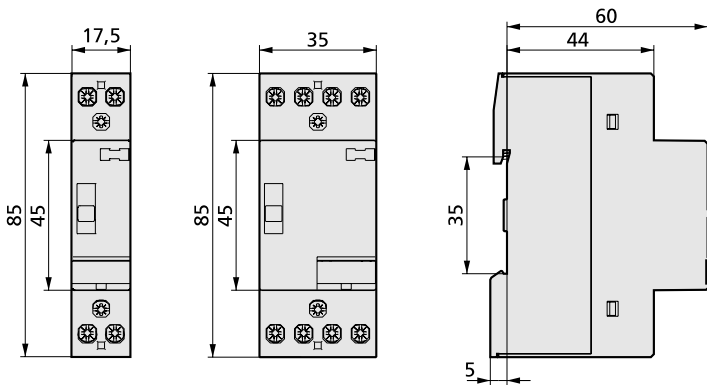
Control and switching devices dimensions and data



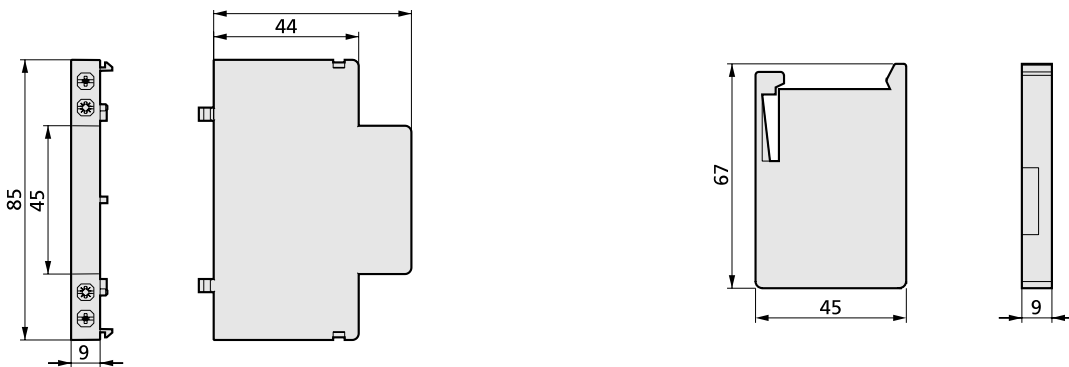
Contactors, type CR20, CR25



Contactors, type CR40, CR63



Day/Night contactors, type CRM20, CRM25



Auxiliary contact

Spacer

| | | | | | | | |
|---------------|------------|--------------|--------|-----------------|----------------|-------------------|------------|
| 1MGL..... | 110 | C023B..... | 10, 57 | C415B..... | 11, 60 | CDAE-01/02..... | 96 |
| 800KMF..... | 110, 131 | C023WH..... | 10, 57 | C415WH..... | 11, 60 | CDAE-01/03..... | 96 |
| A9900HP..... | 58 | C024..... | 10, 57 | C421N..... | 12, 62 | CDAE-01/04..... | 95 |
| A9900PB..... | 58 | C024B..... | 10, 57 | C421NB..... | 12, 62 | CDAE-01/05-E..... | 95 |
| A9900SS..... | 58 | C024WH..... | 10, 57 | C421NWH..... | 12, 62 | CDAE-01/05-I..... | 95 |
| ABP1..... | 105 | C026..... | 10, 57 | C422N..... | 12, 62 | CDAP-01/13..... | 96 |
| AN2..... | 107, 125 | C026B..... | 10, 57 | C422NB..... | 12, 62 | CDAU-01/02..... | 95 |
| AN25..... | 107, 125 | C026WH..... | 10, 57 | C422NWH..... | 12, 62 | CDAU-01/04..... | 95 |
| AN2D..... | 107, 125 | C032..... | 10, 57 | C425..... | 12, 62 | CDAU-01/04-E..... | 95 |
| AN2EBD..... | 107, 125 | C032WH..... | 10, 57 | C425B..... | 12, 62 | CDAU-01/04-I..... | 95 |
| AN4EBLS..... | 107, 125 | C041..... | 10, 57 | C425N..... | 12, 62 | CEMP-01/13..... | 99 |
| ASPD..... | 110 | C041B..... | 10, 57 | C425NB..... | 12, 62 | CEMU-01/03..... | 99 |
| B015SS..... | 10, 68 | C041WH..... | 10, 57 | C425NWH..... | 12, 62 | CEMU-01/04..... | 99 |
| B017SS..... | 10, 68 | C045B..... | 10, 57 | C425WH..... | 12, 62 | CHAZ-01/01..... | 100 |
| B021SS..... | 10, 68 | C045WH..... | 10, 57 | C621..... | 10, 59 | CHAZ-01/12..... | 100 |
| B022SS..... | 10, 68 | C047B..... | 10, 57 | C621B..... | 10, 59 | CHCA-00/01..... | 100 |
| B023SS..... | 10, 68 | C047WH..... | 10, 57 | C621N..... | 10, 59 | CHSZ-01/05..... | 96 |
| B048SS..... | 10, 68 | C048..... | 10, 57 | C621NB..... | 10, 59 | CHSZ-02/02..... | 96 |
| B111SS..... | 11, 69 | C048B..... | 10, 57 | C621NWH..... | 10, 59 | CHSZ-12/03..... | 97 |
| B112SS..... | 11, 69 | C048WH..... | 10, 57 | C621WH..... | 10, 59 | CHSZ-12/04..... | 97 |
| B220NSS..... | 12, 70 | C049WH..... | 10, 57 | C622..... | 10, 59 | CHVZ-01/03..... | 100 |
| B220SS..... | 12, 70 | C111a..... | 11, 59 | C622B..... | 10, 59 | CHVZ-01/04..... | 100 |
| B221NSS..... | 11, 70 | C111ba..... | 11, 59 | C622N..... | 10, 59 | CJAU-01/02..... | 96 |
| B221SS..... | 11, 70 | C111WHa..... | 11, 59 | C622NB..... | 10, 59 | CKOZ-00/13..... | 100 |
| B351SS..... | 12, 73 | C112B..... | 11, 59 | C622NWH..... | 10, 59 | CKOZ-00/03..... | 100 |
| B370SS..... | 11, 69 | C112WH..... | 11, 59 | C622WH..... | 10, 59 | CKOZ-00/12..... | 100 |
| B391SS..... | 12, 72 | C212..... | 12, 61 | C632..... | 11, 59 | CKOZ-00/14..... | 100 |
| B392SS..... | 12, 72 | C220..... | 12, 61 | C632B..... | 11, 59 | CM011*..... | 10, 57 |
| B401NSS..... | 12, 71 | C220B..... | 12, 61 | C632WH..... | 11, 59 | CM012*..... | 10, 57 |
| B401SS..... | 12, 71 | C220N..... | 12, 61 | C651B..... | 11, 59 | CM013*..... | 10, 57 |
| B403NSS..... | 12, 71 | C220NB..... | 12, 61 | C651WH..... | 11, 59 | CM014*..... | 10, 57 |
| B421NSS..... | 12, 71 | C220NWH..... | 12, 61 | C652WH..... | 11, 59 | CM015*..... | 10, 57 |
| B422NSS..... | 12, 71 | C220WH..... | 12, 61 | C692B..... | 11, 59 | CM015L*..... | 10, 57 |
| B425NSS..... | 12, 71 | C221..... | 11, 61 | C692WH..... | 11, 59 | CM026*..... | 10, 57 |
| B426NSS..... | 12, 71 | C221B..... | 11, 61 | C901..... | 13, 41, 65 | CM045*..... | 10, 57 |
| B621NSS..... | 10, 69 | C221N..... | 11, 61 | C901B..... | 13, 41, 65 | CM048*..... | 10, 57 |
| B621RRSS..... | 10, 69 | C221NB..... | 11, 61 | C901WH..... | 13, 41, 65 | CM049*..... | 10, 57 |
| B621SS..... | 10, 69 | C221NWH..... | 11, 61 | C902..... | 13, 41, 65 | CM111*..... | 11, 59 |
| B622NSS..... | 10, 69 | C221WH..... | 11, 61 | C902B..... | 13, 41, 65 | CM112*..... | 11, 59 |
| B622RRSS..... | 10, 69 | C351..... | 12, 64 | C902WH..... | 13, 41, 65 | CM220*..... | 12, 61 |
| B622SS..... | 10, 69 | C351B..... | 12, 64 | C903..... | 13, 41, 65 | CM220N*..... | 12, 61 |
| B632SS..... | 11, 69 | C351WH..... | 12, 64 | C903B..... | 13, 41, 65 | CM221*..... | 11, 61 |
| B651SS..... | 11, 69 | C352WH..... | 12, 64 | C903WH..... | 13, 41, 65 | CM221N*..... | 11, 61 |
| B652SS..... | 11, 69 | C353WH..... | 12, 64 | C904..... | 13, 41, 65 | CM351*..... | 12, 64 |
| B901SS..... | 13, 41, 74 | C354..... | 12, 64 | C904B..... | 13, 41, 65 | CM352*..... | 12, 64 |
| B902SS..... | 13, 41, 74 | C354WH..... | 12, 64 | C904WH..... | 13, 41, 65 | CM360*..... | 12, 64 |
| B903SS..... | 13, 41, 74 | C355..... | 12, 64 | C906..... | 13, 41, 65 | CM370*..... | 11, 60 |
| B904SS..... | 13, 41, 74 | C355B..... | 12, 64 | C906B..... | 13, 41, 65 | CM391*..... | 12, 63 |
| B906SS..... | 13, 41, 74 | C355WH..... | 12, 64 | C908..... | 13, 41, 65 | CM392*..... | 12, 63 |
| B908SS..... | 13, 41, 74 | C356B..... | 12, 64 | C908B..... | 13, 41, 65 | CM401*..... | 12, 62 |
| B912SS..... | 13, 41, 74 | C356WH..... | 12, 64 | C9111VWH..... | 10, 57 | CM401N*..... | 12, 62 |
| B918SS..... | 13, 41, 74 | C359WH..... | 12, 64 | C912..... | 13, 41, 65 | CM403*..... | 12, 62 |
| B924SS..... | 13, 41, 74 | C360..... | 12, 64 | C912B..... | 13, 41, 65 | CM403N*..... | 12, 62 |
| C011..... | 10, 57 | C360B..... | 12, 64 | C9131VWH..... | 10, 57 | CM415*..... | 11, 60 |
| C011B..... | 10, 57 | C360WH..... | 12, 64 | C9132..... | 10, 57 | CM421N*..... | 12, 62 |
| C011WH..... | 10, 57 | C361..... | 12, 64 | C9132WH..... | 10, 57 | CM422N*..... | 12, 62 |
| C012B..... | 10, 57 | C361B..... | 12, 64 | C9141VWH..... | 10, 57 | CM423N*..... | 12, 62 |
| C012WH..... | 10, 57 | C361WH..... | 12, 64 | C918..... | 13, 38, 41, 65 | CM424N*..... | 12, 62 |
| C013..... | 10, 57 | C362..... | 12, 64 | C918B..... | 13, 41, 65 | CM425*..... | 12, 62 |
| C013B..... | 10, 57 | C362B..... | 12, 64 | C924..... | 13, 38, 41 | CM425N*..... | 12, 62 |
| C013WH..... | 10, 57 | C363..... | 12, 64 | C924B..... | 13, 41, 65 | CM621*..... | 10, 59 |
| C014..... | 10, 57 | C363B..... | 12, 64 | C9511..... | 10, 58 | CM621N*..... | 10, 59 |
| C014B..... | 10, 57 | C363WH..... | 12, 64 | C9511VWH..... | 10, 58 | CM622*..... | 10, 59 |
| C014WH..... | 10, 57 | C370..... | 11, 60 | C9551..... | 10, 58 | CM622N*..... | 10, 59 |
| C015..... | 10, 57 | C370B..... | 11, 60 | C9551VWH..... | 10, 58 | CM632*..... | 11, 59 |
| C015B..... | 10, 57 | C370WH..... | 11, 60 | C9552..... | 10, 58 | CM692*..... | 11, 59 |
| C015LWH..... | 10, 57 | C391..... | 12, 63 | C9552VWH..... | 10, 58 | CM901*..... | 13, 41, 65 |
| C015WH..... | 10, 57 | C391WH..... | 12, 63 | C9751VWH..... | 10, 58 | CM902*..... | 13, 41, 65 |
| C017..... | 10, 57 | C392..... | 12, 63 | CAAE-01/01..... | 98 | CM903*..... | 13, 41, 65 |
| C017B..... | 10, 57 | C392WH..... | 12, 63 | CAAE-01/02..... | 98 | CM904*..... | 13, 41, 65 |
| C017WH..... | 10, 57 | C401..... | 12, 62 | CAEE-02/01..... | 99 | CM906*..... | 13, 41, 65 |
| C021..... | 10, 57 | C401B..... | 12, 62 | CBEU-02/01..... | 98 | CM908*..... | 13, 41, 65 |
| C021B..... | 10, 57 | C401N..... | 12, 62 | CBEU-02/02..... | 98 | CM9111*..... | 10, 57 |
| C021WH..... | 10, 57 | C401NB..... | 12, 62 | CBMA-02/01..... | 97 | CM912*..... | 13, 41, 65 |
| C022..... | 10, 57 | C401NWH..... | 12, 62 | CBTZ-00/01..... | 94 | CM9131*..... | 10, 57, 58 |
| C022B..... | 10, 57 | C401WH..... | 12, 62 | CCIA-02/01..... | 100 | CM9132*..... | 10, 57, 58 |
| C022WH..... | 10, 57 | C403NWH..... | 12, 62 | CCIA-03/01..... | 100 | CM918*..... | 13, 41, 65 |
| C023..... | 10, 57 | C403WH..... | 12, 62 | CDAE-01/01..... | 96 | CM924*..... | 13, 41, 65 |

* Shown without plate finish suffix

Index

Eaton list number index

| | | | | | | | |
|-----------------|--------------|----------------------|--------------|---------------------|----------|---------------------|----------|
| CMMZ-00/08..... | 99 | CR4040230..... | 114, 138-142 | EAD50C..... | 108 | EAS24H80DS..... | 102, 122 |
| CMMZ-00/09..... | 97 | CR6320230..... | 115, 138-142 | EAD63B..... | 108 | EAS24H80DSF..... | 104, 123 |
| CMMZ-00/13..... | 99 | CR6340230..... | 115, 138-142 | EAD63C..... | 108 | EAS26S..... | 102, 122 |
| CMMZ-00/30..... | 100 | CRA611..... | 115, 138-142 | EAM1002H..... | 109 | EAS26SF..... | 104, 123 |
| CMMZ-00/33..... | 100 | CRA620..... | 115, 138-142 | EAM1002L..... | 109 | EAS2H40S..... | 102, 122 |
| CMMZ-00/36..... | 100 | CRC20..... | 115 | EAM1002M..... | 109 | EAS2H40SF..... | 104, 123 |
| CMMZ-00/37..... | 100 | CRC25..... | 115 | EAM1002MT..... | 109, 105 | EAS2H63S..... | 102, 122 |
| CP011*..... | 10, 57 | CRC63..... | 115 | EAM1002RH..... | 109 | EAS2H63SF..... | 104, 123 |
| CP012*..... | 10, 57 | CRCA-00/04..... | 100 | EAM1002RL..... | 109 | EAS2S..... | 102, 122 |
| CP013*..... | 10, 57 | CRCA-00/05..... | 100 | EAM1002RM..... | 109 | EAS2SF..... | 104, 123 |
| CP014*..... | 10, 57 | CRM2020230A..... | 115, 138-142 | EAM162H..... | 109 | EAS34H80H63DS..... | 102, 122 |
| CP015*..... | 10, 57 | CRM2540230A..... | 115, 138-142 | EAM162V..... | 109 | EAS34H80H63DSF..... | 104, 124 |
| CP015L*..... | 10, 57 | CRMA-00/03..... | 100 | EAM252H..... | 109 | EAS34H80H80DS..... | 102, 122 |
| CP026*..... | 10, 57 | CRMA-00/07..... | 100 | EAM252M..... | 109 | EAS34H80H80DSF..... | 104, 124 |
| CP048*..... | 10, 57 | CROU-00/01-S..... | 100 | EAM402H..... | 109 | EAS36H80DS..... | 102, 122 |
| CP111*..... | 11, 59 | CROU-00/01-SL..... | 100 | EAM402M..... | 109 | EAS36H80DSF..... | 104, 123 |
| CP112*..... | 11, 59 | CRS..... | 115 | EAM632H..... | 109 | EAS38S..... | 102, 122 |
| CP220*..... | 12, 61 | CSAP-01/03..... | 95 | EAM632M..... | 109 | EAS38SF..... | 104, 123 |
| CP220N*..... | 12, 61 | CSAU-01/01-10..... | 94 | EAM802H..... | 109 | EAS6H100S..... | 102, 122 |
| CP221*..... | 11, 61 | CSAU-01/01-10I..... | 94 | EAM802L..... | 109 | EAS6H100SF..... | 104, 123 |
| CP221N*..... | 11, 61 | CSAU-01/01-10IE..... | 94 | EAM802M..... | 109 | EAS6H63S..... | 102, 122 |
| CP221NR*..... | 11, 61 | CSAU-01/01-16..... | 94 | EAM802RH..... | 109 | EAS6H63SF..... | 104, 123 |
| CP221NWM*..... | 11, 61 | CSAU-01/01-16I..... | 94 | EAM802RL..... | 109 | EAS6H80S..... | 102, 122 |
| CP221R*..... | 11, 61 | CSAU-01/01-16IE..... | 94 | EAN2SEBD..... | 107, 125 | EAS6H80SF..... | 104, 123 |
| CP221WM*..... | 11, 61 | CSAU-01/02..... | 95 | EAN2SEBD1001N..... | 107, 125 | EAS6S..... | 102, 122 |
| CP351*..... | 12, 64 | CSAU-01/03..... | 95 | EAN4SEBD..... | 107, 125 | EAS6SF..... | 104, 123 |
| CP352*..... | 12, 64 | CSEZ-01/01..... | 99 | EAS10DDS..... | 103, 122 | EAS8H63DS..... | 102, 122 |
| CP360*..... | 12, 64 | CSEZ-01/06..... | 99 | EAS10DDSF..... | 105, 124 | EAS8H63DSF..... | 104, 123 |
| CP370*..... | 11, 60 | CSEZ-01/07..... | 99 | EAS10H100S..... | 102, 122 | EAS8H80DS..... | 102, 122 |
| CP391*..... | 12, 63 | CSEZ-01/14..... | 99 | EAS10H100SF..... | 104, 123 | EAS8H80DSF..... | 104, 123 |
| CP392*..... | 12, 63 | CSEZ-01/15..... | 99 | EAS10H63DS..... | 102, 122 | EASDL..... | 105 |
| CP401*..... | 12, 62 | CSEZ-01/16..... | 99 | EAS10H63DSF..... | 104, 123 | EASTKEB32..... | 105 |
| CP401N*..... | 12, 62 | CSEZ-01/17..... | 99 | EAS10H63H63DS..... | 102, 122 | EASTKEB40..... | 105 |
| CP403*..... | 62 | CSEZ-01/18..... | 99 | EAS10H63H63DSF..... | 104, 124 | EASTKEP32..... | 105 |
| CP403N*..... | 12, 62 | CSEZ-01/19..... | 99 | EAS10H80DS..... | 102, 122 | EASTKEP40..... | 105 |
| CP415*..... | 11, 60 | CSEZ-01/24..... | 99 | EAS10H80DSF..... | 104, 123 | EB-Z/SE/01/03..... | 99 |
| CP421N*..... | 12, 62 | CSEZ-01/25..... | 99 | EAS10H80H63DS..... | 102, 122 | EB-Z/SE/01/04..... | 99 |
| CP422N*..... | 12, 62 | CSEZ-01/36..... | 99 | EAS10H80H63DSF..... | 104, 124 | EMBP..... | 105 |
| CP423N*..... | 12, 62 | CSGZ-01/02..... | 100 | EAS10H80H80DS..... | 102, 122 | EMBP..... | 115 |
| CP425*..... | 12, 62 | CSGZ-02/01..... | 100 | EAS10H80H80DSF..... | 104, 124 | EMS1001..... | 108 |
| CP425N*..... | 12, 62 | CTEU-02/01..... | 99 | EAS10S..... | 102, 122 | EMS1001N..... | 108 |
| CP621*..... | 10, 59 | EAD02B..... | 108 | EAS10SF..... | 104, 123 | EMS1001NR..... | 108 |
| CP621N*..... | 10, 59 | EAD02C..... | 108 | EAS12H100S..... | 102, 122 | EMS1002..... | 108 |
| CP622*..... | 10, 59 | EAD04B..... | 108 | EAS12H100SF..... | 104, 123 | F1000..... | 82 |
| CP622N*..... | 10, 59 | EAD04C..... | 108 | EAS12S..... | 102, 122 | F1025..... | 82 |
| CP632*..... | 11, 59 | EAD06B..... | 108 | EAS12SF..... | 104, 123 | F1091..... | 82 |
| CP692*..... | 11, 59 | EAD06BH30C..... | 109 | EAS14H63H63DS..... | 102, 122 | F1200..... | 82 |
| CP901*..... | 13, 41, 65 | EAD06C..... | 108 | EAS14H63H63DSF..... | 104, 124 | F1250..... | 82 |
| CP902*..... | 13, 41, 65 | EAD06CH30C..... | 109 | EAS14H80H63DS..... | 102, 122 | F1260..... | 84 |
| CP903*..... | 13, 41, 65 | EAD10B..... | 108 | EAS14H80H63DSF..... | 104, 124 | F1261..... | 84 |
| CP904*..... | 13, 41, 65 | EAD10BH30C..... | 109 | EAS14H80H80DS..... | 102, 122 | F1263..... | 84 |
| CP906*..... | 13, 41, 65 | EAD10C..... | 108 | EAS14H80H80DSF..... | 104, 124 | F1264..... | 84 |
| CP908*..... | 13, 41, 65 | EAD10CH30C..... | 109 | EAS14S..... | 102, 122 | F1267..... | 84, 119 |
| CP9111*..... | 10, 57 | EAD13B..... | 108 | EAS14SF..... | 104, 123 | F1340..... | 85 |
| CP912*..... | 13, 41, 65 | EAD13C..... | 108 | EAS16DDS..... | 103, 122 | F1350..... | 85 |
| CP9131*..... | 10, 57, 58 | EAD16B..... | 108 | EAS16DDSF..... | 105, 124 | F1350PC..... | 85 |
| CP9132*..... | 10, 57, 58 | EAD16BH30C..... | 109 | EAS16H63H63DS..... | 102, 122 | F1351..... | 85 |
| CP918*..... | 13, 41, 65 | EAD16C..... | 108 | EAS16H63H63DSF..... | 104, 124 | F1450..... | 83 |
| CP924*..... | 13, 41, 65 | EAD16CH30C..... | 109 | EAS16H80DS..... | 102, 122 | F1451..... | 83 |
| CR2002230..... | 114, 138-142 | EAD20B..... | 108 | EAS16H80DSF..... | 104, 123 | F1491..... | 83 |
| CR2002230A..... | 114, 138-142 | EAD20BH30C..... | 109 | EAS16H80H63DS..... | 102, 122 | F3368..... | 37, 77 |
| CR2011230..... | 114, 138-142 | EAD20C..... | 108 | EAS16H80H63DSF..... | 104, 124 | F3780..... | 49 |
| CR2011230A..... | 114, 138-142 | EAD20CH30C..... | 109 | EAS16H80H80DS..... | 102, 122 | F3780B..... | 49 |
| CR2020230..... | 114, 138-142 | EAD25B..... | 108 | EAS16H80H80DSF..... | 104, 124 | F3781..... | 49 |
| CR2020230A..... | 114, 138-142 | EAD25BH30C..... | 109 | EAS18H100S..... | 102, 122 | F3782..... | 49 |
| CR2430..... | 96 | EAD25C..... | 108 | EAS18H100SF..... | 104, 123 | F3783..... | 49 |
| CR2477N..... | 98 | EAD25CH30C..... | 109 | EAS18H80DS..... | 102, 122 | F3783B..... | 49 |
| CR2504230..... | 114, 138-142 | EAD32B..... | 108 | EAS18H80DSF..... | 104, 123 | F3784..... | 49 |
| CR2504230A..... | 114, 138-142 | EAD32BH30C..... | 109 | EAS18S..... | 102, 122 | F3784B..... | 49 |
| CR2522230..... | 114, 138-142 | EAD32C..... | 108 | EAS18SF..... | 104, 123 | F3785..... | 49 |
| CR2522230A..... | 114, 138-142 | EAD32CH30C..... | 109 | EAS20H100S..... | 102, 122 | F3786..... | 49 |
| CR2530230..... | 114, 138-142 | EAD40B..... | 108 | EAS20H100SF..... | 104, 123 | F3787..... | 49 |
| CR2530230A..... | 114, 138-142 | EAD40BH30C..... | 109 | EAS20S..... | 102, 122 | F3787B..... | 49 |
| CR2540230..... | 114, 138-142 | EAD40C..... | 108 | EAS20SF..... | 104, 123 | F3790..... | 49 |
| CR2540230A..... | 114, 138-142 | EAD40CH30C..... | 109 | EAS22H80H63DS..... | 102, 122 | F3790B..... | 49 |
| CR4002230..... | 114, 138-142 | EAD45BH30C..... | 109 | EAS22H80H63DSF..... | 104, 124 | F4500..... | 37 |
| CR4020230..... | 114, 138-142 | EAD45CH30C..... | 109 | EAS22H80H80DS..... | 102, 122 | F4501..... | 37, 41 |
| CR4030230..... | 114, 138-142 | EAD50B..... | 108 | EAS22H80H80DSF..... | 104, 124 | F4502..... | 37, 41 |

* Shown without plate finish suffix

| | | | | | | | |
|---------------|------------|----------------|----|--------------------|------------|--------------|------------|
| F4510..... | 37 | F9025CH..... | 43 | F9313B..... | 48 | P221NWM..... | 11, 33 |
| F4511..... | 37 | F9025DW..... | 43 | F9314..... | 48 | P221R..... | 11, 33 |
| F4530..... | 32, 37 | F9025EF..... | 43 | F9314B..... | 48 | P221RR..... | 11, 33 |
| F4570..... | 37, 85 | F9025FF..... | 43 | F9315..... | 48 | P221WMM..... | 11, 33 |
| F5002..... | 82 | F9025FG..... | 43 | F9315B..... | 48 | P223..... | 11, 33 |
| F5006..... | 82 | F9025HB..... | 43 | F9317..... | 48 | P223N..... | 12, 33 |
| F5099..... | 37 | F9025HE..... | 43 | F9317B..... | 48 | P224..... | 12, 33 |
| F8342..... | 41, 51, 80 | F9025MW..... | 43 | F9318..... | 48 | P345..... | 12, 35 |
| F8343..... | 41, 51, 80 | F9025PH..... | 43 | F9318B..... | 48 | P351..... | 12, 36 |
| F8344..... | 41, 51, 80 | F9025TD..... | 43 | F9400..... | 50, 94 | P351D..... | 12, 36 |
| F8345..... | 41, 51, 80 | F9025WDR..... | 43 | F9401..... | 50, 94 | P352..... | 12, 36 |
| F8351..... | 41, 51 | F9025WH..... | 43 | F9402..... | 50, 94 | P353..... | 12, 36 |
| F8352..... | 41, 51 | F9025WMM..... | 43 | F9404..... | 50, 94 | P354..... | 12, 36 |
| F8501..... | 88 | F9026..... | 45 | FL331..... | 90 | P355..... | 12, 36 |
| F8502..... | 88 | F9026B..... | 45 | FL351..... | 90 | P356..... | 12, 36 |
| F8534..... | 88 | F9026BEL..... | 45 | FL431..... | 90 | P357..... | 12, 36 |
| F8540..... | 88 | F9026EL..... | 45 | FL451..... | 90 | P360..... | 12, 36 |
| F8570..... | 88 | F9027..... | 45 | FM8340..... | 41, 51, 80 | P361..... | 12, 36 |
| F8571..... | 88 | F9027B..... | 45 | FM8341..... | 41, 51, 80 | P362..... | 12, 36 |
| F8572..... | 88 | F9027BEL..... | 45 | FM8349..... | 41, 51 | P370..... | 11, 32 |
| F8573..... | 88 | F9027EL..... | 45 | FM8350..... | 41, 51 | P391..... | 12, 35 |
| F8580..... | 88 | F9027N..... | 45 | FP320..... | 90 | P392..... | 12, 35 |
| F8581..... | 88 | F9027NB..... | 45 | FP330..... | 90 | P401..... | 12, 34 |
| F8582..... | 88 | F9027RR..... | 45 | FP331..... | 90 | P401N..... | 12, 34 |
| F8583..... | 88 | F9028..... | 45 | FP340..... | 90 | P403..... | 12, 34 |
| F8584..... | 88 | F9028B..... | 45 | FP341..... | 90 | P403N..... | 12, 34 |
| F8601..... | 89 | F9029..... | 42 | FP351..... | 90 | P404N..... | 12, 34 |
| F8602..... | 89 | F9029RR..... | 42 | FP431..... | 90 | P415..... | 11, 32 |
| F8603..... | 89 | F9030..... | 42 | FP451..... | 90 | P421..... | 12, 34 |
| F8635..... | 88 | F9030B..... | 42 | IKA-1/4-ST-UV..... | 107, 125 | P421N..... | 12, 34 |
| F8640..... | 89 | F9030RR..... | 42 | IKA-1/6-ST-UV..... | 107, 125 | P422N..... | 12, 34 |
| F8641..... | 89 | F9031..... | 45 | IKA-1/8-ST-UV..... | 107, 125 | P422NGY..... | 12, 34 |
| F8670..... | 89 | F9031B..... | 45 | LDU10..... | 90 | P423..... | 12, 34 |
| F8671..... | 89 | F9032..... | 43 | LDU12..... | 90 | P423N..... | 12, 34 |
| F8672..... | 89 | F9033..... | 42 | LDU6..... | 90 | P424N..... | 12, 34 |
| F8681..... | 89 | F9033B..... | 42 | LDU8..... | 90 | P425..... | 12, 34 |
| F8682..... | 89 | F9033RR..... | 42 | P011..... | 10, 29 | P425N..... | 12, 34 |
| F8684..... | 89 | F9060..... | 46 | P012..... | 10, 29 | P426N..... | 12, 34 |
| F9000..... | 42 | F9060B..... | 46 | P013..... | 10, 29 | P427N..... | 12, 34 |
| F9001..... | 42 | F9061..... | 46 | P014..... | 10, 29 | P450..... | 10, 29 |
| F9001B..... | 42 | F9061/24V..... | 46 | P015..... | 10, 29 | P611..... | 10, 31 |
| F9004..... | 42 | F9061B..... | 46 | P015L..... | 10, 29 | P612..... | 10, 31 |
| F9004B..... | 42 | F9062..... | 46 | P015P..... | 10, 29 | P621..... | 10, 31 |
| F9020..... | 42 | F9062/24V..... | 46 | P017..... | 10, 29 | P621GY..... | 10, 31 |
| F9020B..... | 42 | F9063..... | 46 | P021..... | 10, 29 | P621N..... | 10, 31 |
| F9021..... | 42 | F9063/24V..... | 46 | P021P..... | 10, 29 | P621RED..... | 10, 31 |
| F9021B..... | 42 | F9064..... | 47 | P022..... | 10, 29 | P621RR..... | 10, 31 |
| F9021RR..... | 42 | F9064B..... | 47 | P023..... | 10, 29 | P622..... | 10, 31 |
| F9022..... | 42 | F9065..... | 47 | P024..... | 10, 29 | P622N..... | 10, 31 |
| F9022B..... | 42 | F9065B..... | 47 | P026..... | 10, 29 | P622RR..... | 10, 31 |
| F9023..... | 42 | F9066..... | 47 | P032..... | 10, 29 | P632..... | 11, 31 |
| F9023B..... | 42 | F9066B..... | 47 | P041..... | 10, 29 | P632GY..... | 11, 31 |
| F9023BO..... | 42 | F9072..... | 46 | P041P..... | 10, 29 | P632N..... | 11, 31 |
| F9023CH..... | 42 | F9072B..... | 46 | P042..... | 10, 29 | P632RED..... | 11, 31 |
| F9023DW..... | 42 | F9072RR..... | 46 | P045..... | 10, 29 | P632RR..... | 11, 31 |
| F9023EF..... | 42 | F9073..... | 46 | P045P..... | 10, 29 | P651..... | 11, 31 |
| F9023FF..... | 42 | F9073B..... | 46 | P047..... | 10, 29 | P652..... | 11, 31 |
| F9023FG..... | 42 | F9076..... | 46 | P048..... | 10, 29 | P652RR..... | 11, 31 |
| F9023FZ..... | 42 | F9077..... | 47 | P049..... | 10, 29 | P672..... | 11, 32 |
| F9023HB..... | 42 | F9077B..... | 47 | P111..... | 11, 32 | P686..... | 11, 32 |
| F9023HH..... | 42 | F9078..... | 47 | P112..... | 11, 32 | P692..... | 11, 32 |
| F9023LI..... | 42 | F9078B..... | 47 | P210..... | 12, 35 | P715..... | 54 |
| F9023MWW..... | 42 | F9079..... | 47 | P212..... | 12, 35 | P721..... | 54 |
| F9023OV..... | 42 | F9079B..... | 47 | P220..... | 12, 33 | P722..... | 54 |
| F9023PH..... | 42 | F9099..... | 46 | P220N..... | 12, 33 | P741..... | 54 |
| F9023PL..... | 42 | F9201..... | 44 | P220RR..... | 12, 33 | P742..... | 54 |
| F9023RR..... | 42 | F9201B..... | 44 | P221..... | 11, 33 | P761..... | 54 |
| F9023TD..... | 42 | F9204..... | 44 | P221BO..... | 11, 33 | P762..... | 54 |
| F9023TR..... | 42 | F9204B..... | 44 | P221CH..... | 11, 33 | P771..... | 54 |
| F9023WDR..... | 42 | F9221..... | 44 | P221CKH..... | 11, 33 | P901..... | 13, 38, 41 |
| F9023WH..... | 42 | F9222..... | 44 | P221DW..... | 11, 33 | P901GY..... | 13, 38, 41 |
| F9023WMM..... | 42 | F9223..... | 44 | P221EF..... | 11, 33 | P902..... | 13, 38, 41 |
| F9024..... | 42 | F9224..... | 44 | P221GY..... | 11, 33 | P902GY..... | 13, 38, 41 |
| F9024B..... | 42 | F9225..... | 44 | P221N..... | 11, 33 | P903..... | 13, 38, 41 |
| F9024RR..... | 42 | F9233..... | 44 | P221NGY..... | 11, 33 | P903GY..... | 13, 38, 41 |
| F9025..... | 43 | F9306..... | 48 | P221NR..... | 11, 33 | P904..... | 13, 38, 41 |
| F9025B..... | 43 | F9306B..... | 48 | P221NRR..... | 11, 33 | P904GY..... | 13, 38, 41 |
| F9025BO..... | 43 | F9313..... | 48 | P221NWH..... | 11, 33 | P906..... | 13, 38, 41 |

Index

Eaton list number index

| | |
|------------------|---------------|
| P906GY | 13, 38, 41 |
| P908 | 13, 38, 41 |
| P908GY | 13, 38, 41 |
| P9101 | 10, 30 |
| P9111 | 10, 30 |
| P912 | 13, 38, 41 |
| P9131 | 10, 30 |
| P9132 | 10, 30 |
| P9141 | 10, 30 |
| P9142 | 10, 30 |
| P9511 | 10, 30 |
| P9551 | 10, 30 |
| P9552 | 10, 30 |
| P9751 | 10, 30 |
| P999 | 13, 35 |
| TLE | 113, 136, 137 |
| TR-G3/8 | 115 |
| TSDW1CO | 112, 135 |
| TSDW1COA | 112, 135 |
| TSDW1CODG | 112, 135 |
| TSDW1COMIN | 112, 135 |
| TSDW2CO | 113, 135 |
| TSQD1CO | 111, 132, 133 |
| TSQD1NO | 111, 132, 133 |
| TSQW1CO | 111, 132, 133 |
| TSSD1CO | 111, 132, 133 |
| TSSD1NO | 111, 132, 133 |
| X017MG | 10, 76 |
| X021MG | 10, 76 |
| X022MG | 10, 76 |
| X023MG | 10, 76 |
| X048MG | 10, 76 |
| X049MG | 10, 76 |
| X111MG | 11, 77 |
| X112MG | 11, 77 |
| X220MG | 12, 79 |
| X220NMG | 12, 79 |
| X220RRMG | 12, 79 |
| X221MG | 11, 79 |
| X221NMG | 11, 79 |
| X221NRRMG | 11, 79 |
| X221RRMG | 11, 79 |
| X391MG | 12, 80 |
| X392MG | 12, 80 |
| X401MG | 12, 76 |
| X401NMG | 12, 76 |
| X415MG | 11, 78 |
| X421NMG | 12, 76 |
| X621MG | 10, 77 |
| X621NMG | 10, 77 |
| X621RRMG | 10, 77 |
| X622MG | 10, 77 |
| X622NMG | 10, 77 |
| X622RRMG | 10, 77 |
| X632MG | 11, 77 |
| X632RRMG | 11, 77 |
| X651MG | 11, 77 |
| X652MG | 11, 77 |
| X686MG | 11, 77 |
| X901MG | 13, 41, 80 |
| X902MG | 13, 41, 80 |
| X903MG | 13, 41, 80 |
| X904MG | 13, 41, 80 |
| X906MG | 13, 41, 80 |
| X908MG | 13, 41, 80 |
| X912MG | 13, 41, 80 |
| X918MG | 13, 41, 80 |
| X924MG | 13, 41, 80 |
| Z-S230/S | 115 |
| Z-S230/S0 | 115 |

At Eaton, we're energized by the challenge of powering a world that demands more. With over 100 years experience in electrical power management, we have the expertise to see beyond today. From groundbreaking products to turnkey design and engineering services, critical industries around the globe count on Eaton.

We power businesses with reliable, efficient and safe electrical power management solutions. Combined with our personal service, support and bold thinking, we are answering tomorrow's needs today. Follow the charge with Eaton.

Visit **eaton.com/electrical**.

Eaton Electric Limited
Grimshaw Lane
Middleton
Manchester M24 1GQ
United Kingdom
Customer Support Centre
Tel: +44 (0)8700 545 333
Fax: +44 (0)8700 540 333
email: ukcommorders@eaton.com

© 2016 Eaton Corporation
All Rights Reserved
Printed in UK
Form No. PG00400018U
June 2016



Powering Business Worldwide

www.eaton.uk.com/electrical