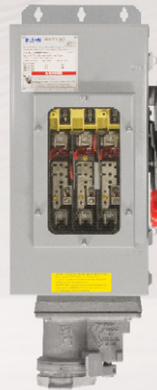
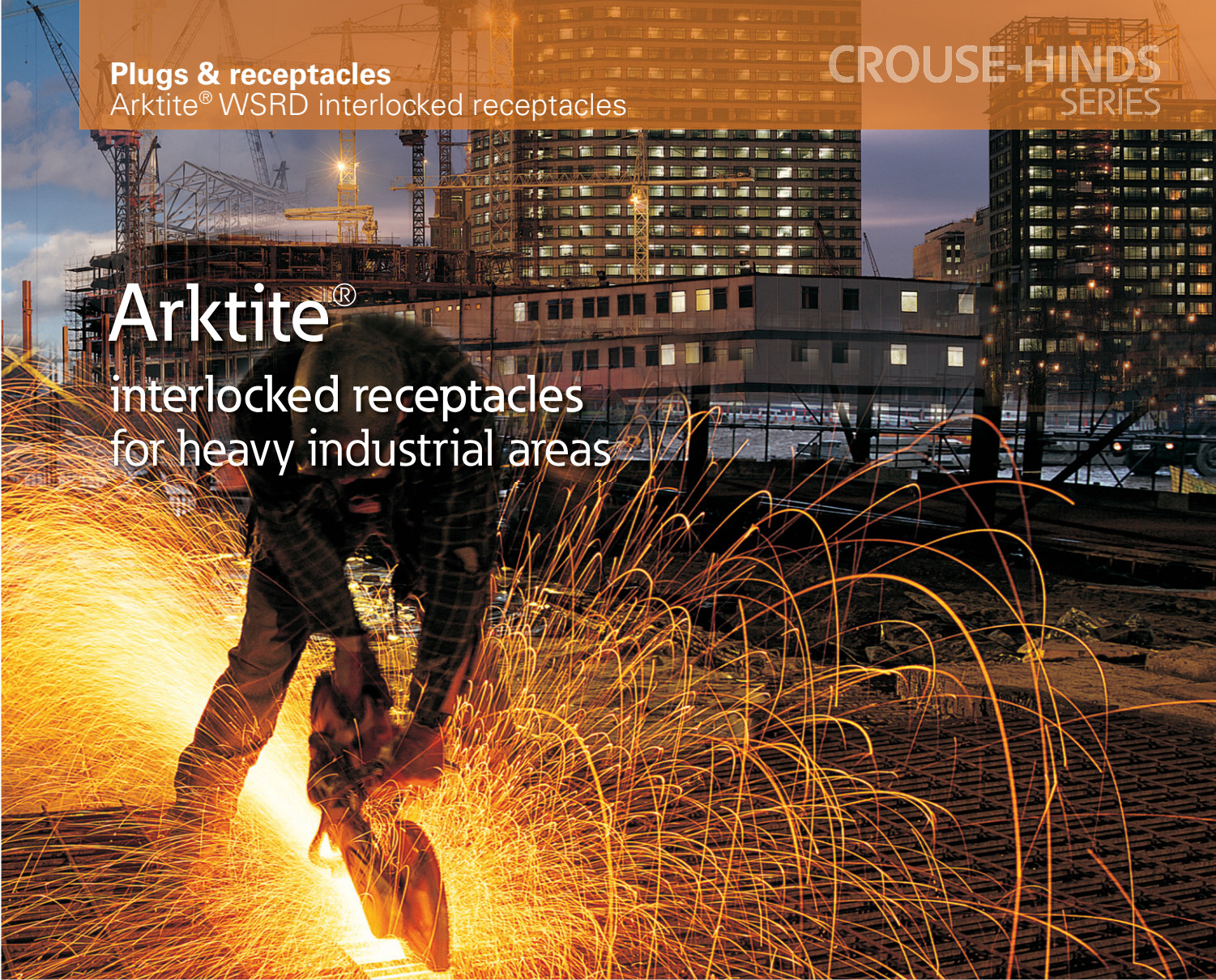


Plugs & receptacles
Arktite® WSRD interlocked receptacles

CROUSE-HINDS
SERIES

Arktite®

interlocked receptacles
for heavy industrial areas



EATON

Powering Business Worldwide



Safe, portable power.

Arktite interlocked receptacles

Arktite interlocked receptacles prevent engagement and disengagement of the plug under load, providing safe, portable connections and extended product life.

Fusible or non-fusible versions available in 30, 60 and 100 amp configurations.

Engineered for safety:

- The switch enclosure and receptacle are interlocked with the body and operating mechanism. The enclosure cannot be opened when the plug is engaged and switch is in ON position
- Switch cannot be turned on with enclosure door open
- Interlock mechanism on the receptacle prevents plug from being disengaged under load

Applications:

- Used as a service outlet for portable or fixed electrical equipment, such as generators, compressors, welders, portable tools, conveyors, lighting systems and similar equipment
- Designed for use in non-hazardous areas where dust, moisture and corrosion may be a problem
- Designed for flush or surface mounting
- A fusible switch, when used, provides short circuit protection



Specifications

Electrical ratings:

- 3- and 4-pole; fusible or non-fusible
- 240 VAC, 250 VDC, 480 VAC, 600 VAC
- 30, 60, 100 amp
- Max. HP ratings: 15 to 75 HP

Sheet steel model

Certifications:

NEC/CEC standard:

- Enclosure Type 3R, 12

UL standard:

- UL Listed – UL98, UL1682

cUL standard:

- cUL Listed – Certified by UL to CSA standards C22.2 Nos. 4, 182.1

Standard materials:

- Enclosure: sheet steel
- Hardware: stainless steel
- Receptacle housing: copper-free aluminum
- Contacts: naval brass
- Interlock mechanism: stainless steel

Standard finishes:

- Aluminum: natural
- Brass: natural

Stainless steel model

Certifications:

NEC/CEC standard:

- Enclosure Type 4, 4X

UL standard:

- UL Listed – UL98, UL1682

cUL standard:

- cUL Listed – Certified by UL to CSA standards C22.2 Nos. 4, 182.1

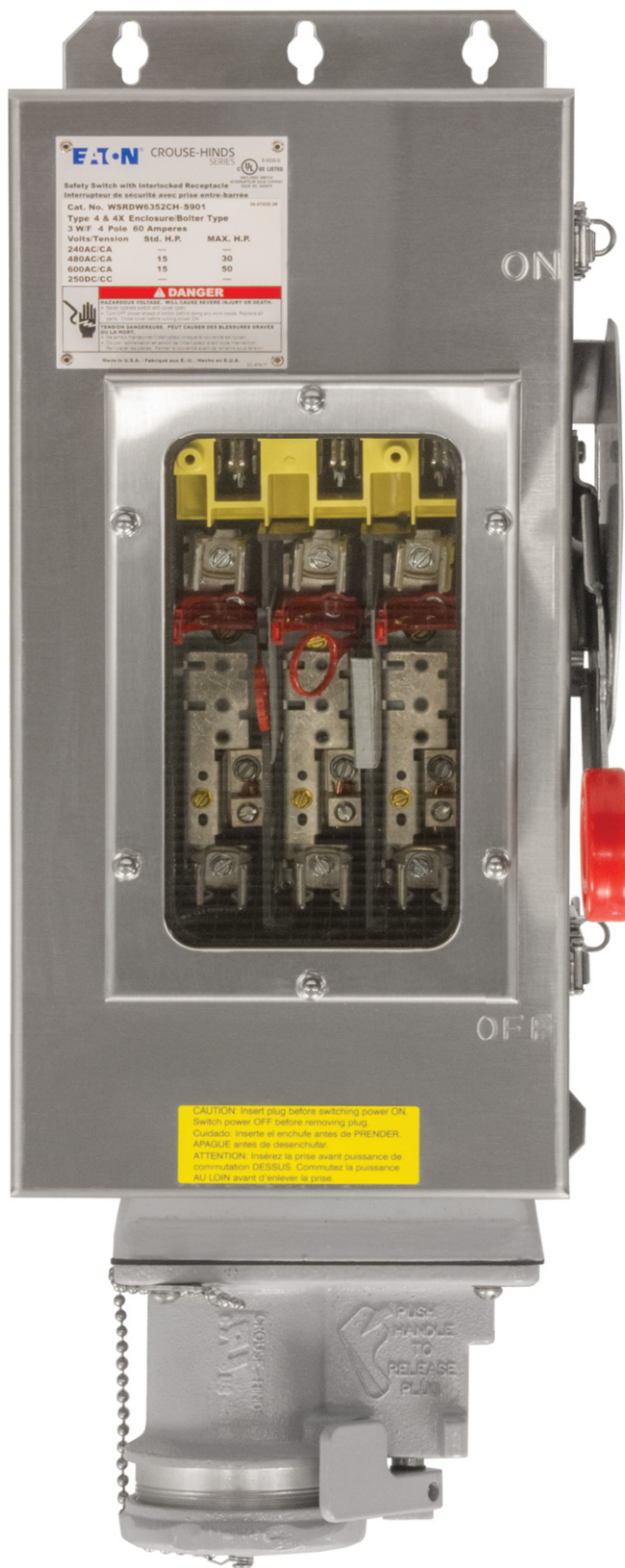
Standard materials:

- Enclosure: Type 304 stainless steel
- Hardware: stainless steel
- Receptacle housing: copper-free aluminum
- Contacts: naval brass
- Interlock mechanism: stainless steel

Standard finishes:

- Stainless steel: natural (enclosure)
- Aluminum: Corro-free™ epoxy powder (receptacle)
- Brass: natural (contacts)

Features and benefits



Easy access and built to last:

- Optional window allows viewing of both visible blade and indicating type fuses
- HP rated enclosed switch for motor load applications
- Optional 22.5° rotated interior of receptacle allows for differentiation when used on circuits of different voltages
- Ground bar supplied as standard and connected to 4th wire in receptacle

Engineered for safety:

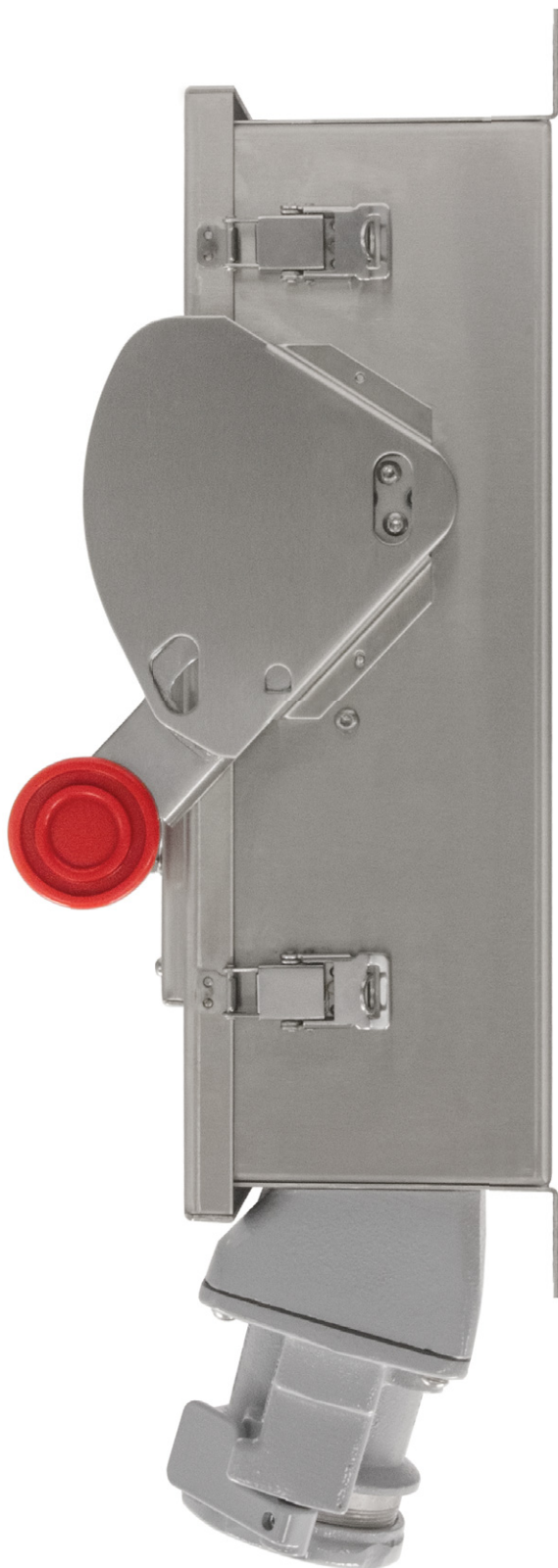
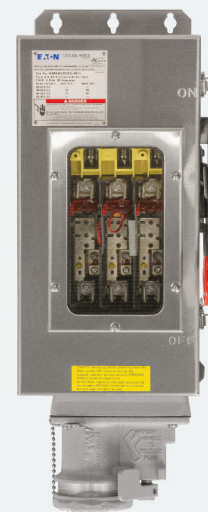
- The switch enclosure and receptacle are interlocked with the body and operating mechanism. The enclosure cannot be opened when the plug is engaged and switch is in ON position
- Switch cannot be turned on with enclosure door open
- Interlock mechanism on the receptacle prevents plug from being disengaged under load
- Factory adjusted interlock rod assures optimal interface with receptacle

Available in sheet
or stainless steel

Sheet steel models



Stainless steel model



Rugged enclosure design:

- Tool-free cover latches for quick and easy access
- Corrosion- and impact-resistant
- Type 4X, watertight and IP66 ratings (model dependent)
- Door with seamless gasket prevents moisture ingress
- Handle with insulated grip features a positive stop in both ON and OFF positions
- Complies with OSHA lockout/tagout requirements
- Corro-free™ powder coat epoxy and threaded cap ensure added corrosion resistance (stainless steel versions)
- Split pin, self-wiping naval brass contacts in receptacle provide nearly 360° contact and ensure better contact life



Arkrite plugs:

- Plug locks into receptacle, providing positive worry-free power engagement
- Locking ring provides a watertight seal at connection point

Ordering information: receptacle

Part number example

WSRDW33542CH-S901-S483-S4

Arkrite interlocked receptacle with window, Eaton Cutler-Hammer 30 amp disconnect switch, non-fusible, style 2, stainless steel, auxiliary contact and 22.5° rotated plug interior

WSRD	W	3	354	2	CH	-	S901	-	S483	-	S4
Series		Voltage		Style			Enclosure material/finish				Options
WSRD Arkrite interlocked receptacle		3 30 amp 6 60 amp 10 100 amp		1 Style 1 (3W/3P) 2 Style 2 (3W/4P)			S901 Stainless steel, natural finish; grey epoxy painted receptacle blank Stamped steel, grey epoxy painted; natural finish receptacle				S483 Factory installed auxiliary contacts S4 Rotated interior (22.5° right)
Door style		Fusibility									
blank Solid door W Windowed door		35 Fusible 354 Non-fusible									
		Eaton Cutler-Hammer safety disconnect switch									If ordering both options, list as stated in the above part number example.

Horsepower ratings

Amps	3-phase: 480 VAC		3-phase: 600 VAC	
	Std.	Max.	Std.	Max.
30	5	15	7.5	20
60	15	30	15	50
100	25	60	30	75

NOTE: Style 1 and style 2 have the same horsepower ratings. Fusible models have the same horsepower rating as non-fusible models when used with the appropriate time delay fuses.

Accessories (ordered separately)

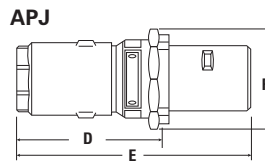
DH030NK	Neutral kit – 30-60A DH
DH100NK	Neutral kit – 100A DH
DS16CP	Control pole kit (for 2P, 3P switches) – 400-600A DG, 30-1200A DH, 30-800A DT
DS200EK1	Auxiliary contact kit – All switches (except 30-100A DG switches) 1 NO/1 NC
DS200EK2	Auxiliary contact kit – All switches (except 30-100A DG switches) 2 NO/2 NC
DS30FP	Fuse puller kit – 30-60A
DS100FP	Fuse puller kit – 100A DH
DS16FK	"R" fuse adapter kit – 30A 600V DH & DT, 60A 240V DH & DT, 60A DG
DS36FK	"R" fuse adapter kit – 100A 240-600V DH, DT

Ordering information: plugs

APJ/NPJ plugs

Style 1: 3-wire, 3-pole	Style 2: 3-wire, 4-pole	OD of cable or flexible conduit	Amps Maximum volts
	APJ3485	0.60 to 1.20"	30A 250 DC, 600 AC
APJ3375	NPJ3483	0.55 to 0.70"	
	NPJ3484	0.70 to 0.85"	60A 250 DC, 600 AC
APJ6485	APJ6485	0.75 to 1.15"	
APJ6375	NPJ6484	0.75 to 1.07"	100A 250 DC, 600 AC
	NPJ6485	1.07 to 1.35"	
	APJ10487	1.00 to 1.70"	100A 250 DC, 600 AC
APJ10377	NPJ10486	0.93 to 1.21"	
	NPJ10487	1.21 to 1.50"	

Plug dimensions



APJ: 3-pole

	30A	60A	100A
D	4 13/16 [122]	5 3/4 [146]	6 9/16 [167]
E	6 1/2 [165]	8 1/2 [216]	10 1/8 [257]
F	2 5/16 [59]	3 3/8 [92]	3 3/4 [95]

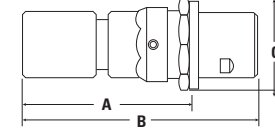
Dimensions: Inches [mm]

APJ: 4-pole

	30A	60A	100A
D	4 13/16 [122]	5 13/16 [148]	6 5/8 [168]
E	6 1/2 [165]	8 1/2 [216]	10 1/8 [257]
F	2 5/16 [59]	3 3/4 [95]	4 1/8 [105]

Dimensions: Inches [mm]

NPJ



NPJ: 4-pole

	30A	60A	100A
A	8 1/2 [216]	9 1/2 [241]	11 1/4 [286]
B	7 [178]	6 13/16 [173]	7 3/4 [197]
C	3 3/16 [81]	4 [102]	4 1/4 [108]

Dimensions: Inches [mm]

Dimensions

Solid door (no window) model

	30A	60A	100A
A	5.50 [140]	5.50 [140]	5.50 [140]
B	8.94 [227]	8.44 [214]	11.14 [291]
C	7.73 [196]	7.73 [196]	11.48 [291]
D	10.21 [259]	10.20 [259]	10.21 [259]
E	8.22 [209]	8.22 [209]	8.22 [209]
F	5.50 [140]	5.50 [140]	5.50 [140]
G	15.82 [402]	15.82 [402]	21.69 [551]
H	19.09 [485]	19.09 [485]	24.96 [634]
I	23.43 [595]	24.60 [624]	31.05 [788]
J	5.97 [152]	7.14 [181]	7.73 [196]

Dimensions: Inches [mm]

Windowed door model

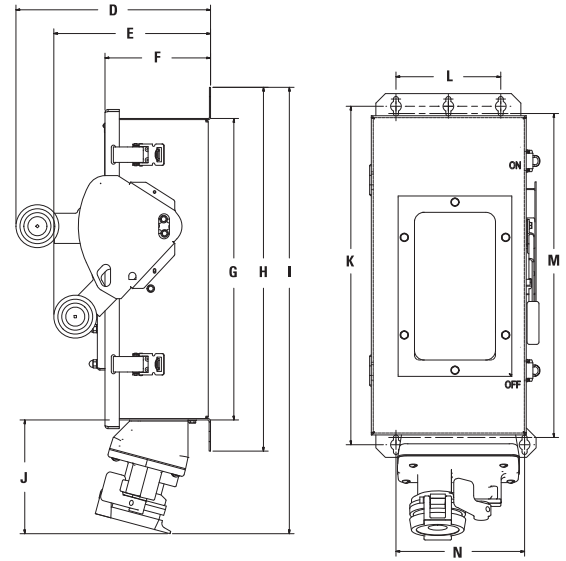
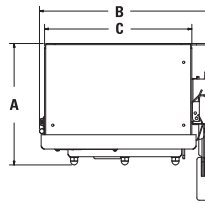
	30A	60A	100A
A	6.37 [162]	6.37 [162]	6.37 [162]
B	8.94 [227]	8.40 [213]	10.76 [273]
C	7.73 [196]	7.73 [196]	11.97 [304]
D	10.21 [259]	10.21 [259]	10.21 [259]
E	8.22 [209]	8.22 [209]	8.22 [209]
F	5.54 [141]	5.54 [141]	5.54 [141]
G	15.82 [402]	15.82 [402]	21.69 [551]
H	19.09 [485]	19.09 [485]	24.96 [634]
I	23.43 [595]	24.60 [624]	31.05 [788]
J	5.97 [152]	7.14 [181]	7.73 [196]

Dimensions: Inches [mm]

Mounting (center-to-center)

	30A	60A	100A
K	17.76 [451]	17.76 [451]	23.63 [600]
L	5.50 [140]	5.50 [140]	8.50 [216]
M	17.00 [432]	17.00 [432]	22.87 [581]
N	6.75 [171]	6.75 [171]	9.75 [248]

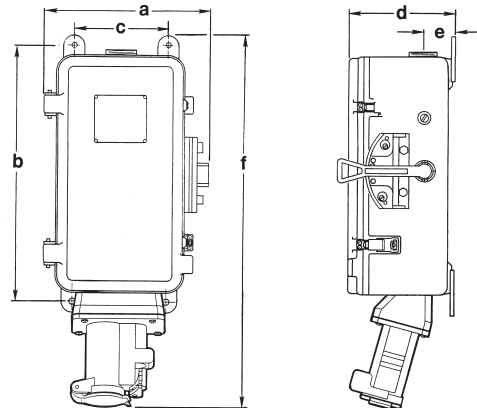
Dimensions: Inches [mm]



Additional models: WSR



Dimensions:



	30A	60A	100A
A	11 3/4 [298]	11 3/4 [298]	14 7/8 [378]
B	20 1/16 [510]	20 1/16 [510]	26 5/16 [668]
C	6 9/16 [167]	6 9/16 [167]	9 9/16 [243]
D	7 1/4 [184]	7 1/4 [184]	8 1/4 [210]
E	2 15/32 [63]	2 15/32 [63]	2 7/8 [73]
F	27 11/16 [703]	28 11/16 [703]	35 3/8 [899]

Dimensions: Inches [mm]

Certifications:

- NEC/CEC standard:
 - Enclosure: NEMA 3R, 4, 12
- UL standards:
 - UL98
 - cUL Standard C22.2 No. 4

Standard materials:

- Enclosure: copper-free aluminum
- Hardware: stainless steel
- Receptacle housing: copper-free aluminum
- Contacts: brass

Ordering information:

Switch type	System	Amps	Conduit entry†	Part number	Maximum horsepower rating		
					240 VAC	480 VAC	600 VAC
Fusible	Style 1: 3-wire, 3-pole	30	1.00	WSR3351*	7.5	15	20
		60	1.25	WSR6351*	15	30	50
		100	1.50	WSR10351*	30	60	75
	Style 2: 3-wire, 4-pole	30	1.00	WSR3352*	7.5	15	20
		60	1.25	WSR6352*	15	30	50
		100	1.50	WSR10352*	30	60	75
Non-fusible	Style 1: 3-wire, 3-pole	30	1.00	WSR33541	7.5	15	20
		60	1.25	WSR63541	15	30	50
		100	1.50	WSR103541	30	60	75
	Style 2: 3-wire, 4-pole	30	1.00	WSR33542	7.5	15	20
		60	1.25	WSR63542	15	30	50
		100	1.50	WSR103542	30	60	75

* Arranged for NEC Class H fuses. May be converted to NEC Class J fuses.

† Furnished with reducer, which may be removed to obtain one size larger opening. Locknut and bushing must meet NEC requirements.

**U.S. (global headquarters):
Eaton's Crouse-Hinds Division**

1201 Wolf Street
Syracuse, NY 13208

(866) 764-5454
FAX: (315) 477-5179
FAX Orders Only:
(866) 653-0640

crousecustomerctr@eaton.com

For more information:

If further assistance is required, please contact an authorized Eaton Distributor, Sales Office, or Customer Service Department.

Canada

Toll Free: 800-265-0502
FAX: (800) 263-9504
FAX Orders only: (866) 653-0645

Mexico/Latin America/Caribbean

52-555-804-4000
FAX: 52-555-804-4020
ventascentromex@eaton.com

Europe (Germany)

49 (0) 6271 806-500
49 (0) 6271 806-476
sales.CCH.de@cooperindustries.com

Middle East

971 4 8066100
FAX: 971 4 8894813
chmesales@eaton.com

Singapore

65-6645-9888
FAX: 65-6297-4819
chsi-sales@cooperindustries.com

China

86-21-2899-3600
FAX: 86-21-2899-4055
cchsales@cooperindustries.com

Korea

82-2-3484-6783
82-2-3484-6778
CCHK-sales@cooperindustries.com

Australia

61-2-8787-2777
FAX: 61-2-9609-2342
CEASales@cooperindustries.com

India

91-124-4683888
FAX: 91-124-4683899
cchindia@eaton.com

Eaton
1000 Eaton Boulevard
Cleveland, OH 44122
United States
Eaton.com

© 2015 Eaton
All Rights Reserved
Printed in USA
Publication No. 5268-0417
April 2017

Eaton is a registered trademark.

All other trademarks are property of their respective owners.