

2405 / 2407 SERIES

RECEPTACLES

Installation & Wiring Information

SAVE THESE INSTRUCTIONS FOR FUTURE REFERENCE

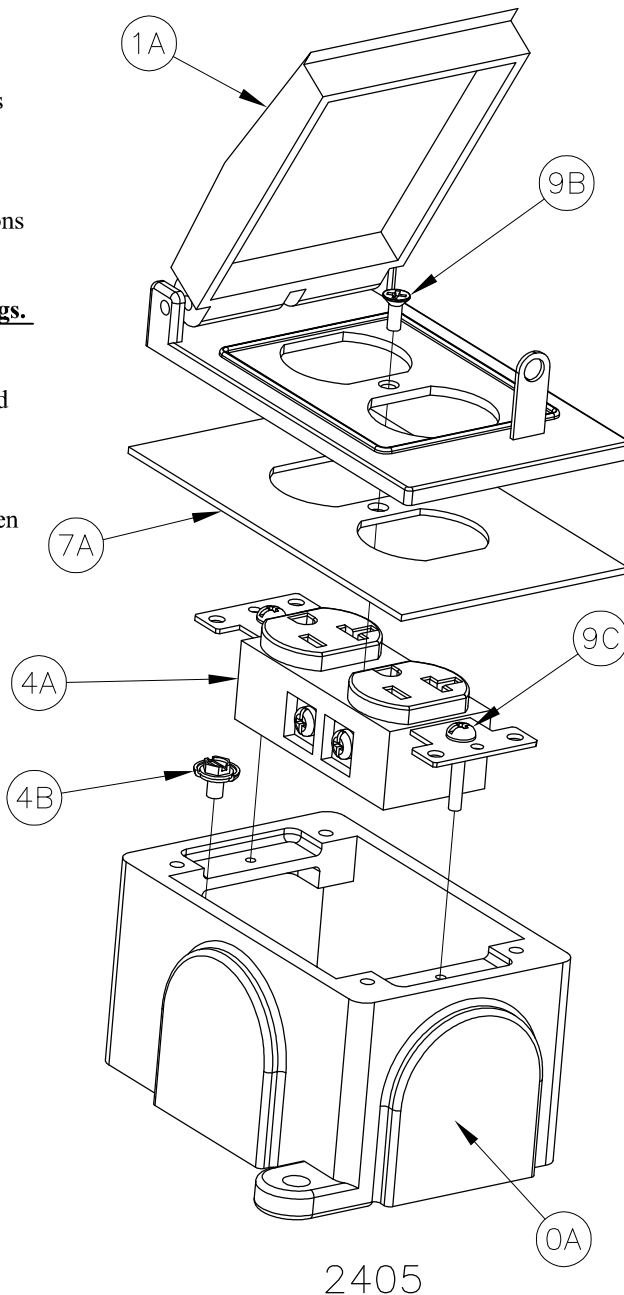
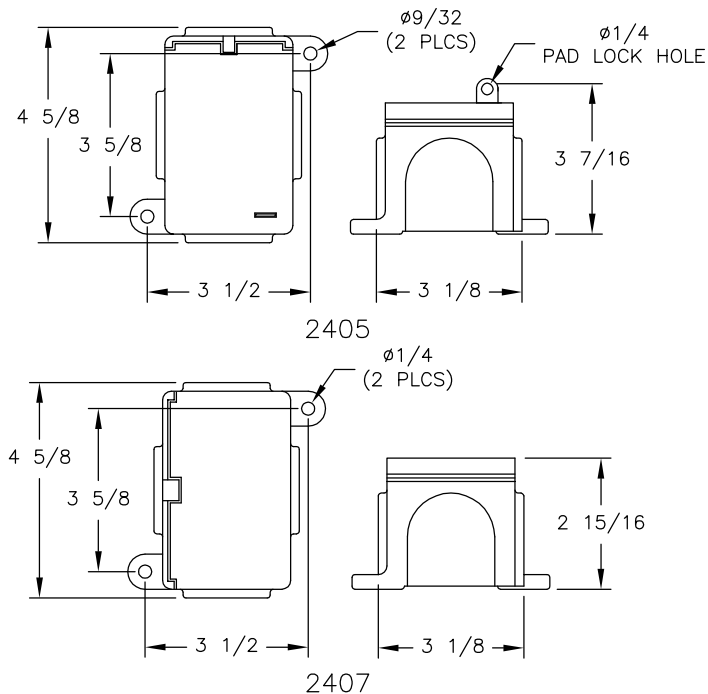
CAUTION Read carefully before installing and wiring the receptacle. Any warning or special instructions should be closely followed. Check the ratings to insure suitability for the environment & supply. Must be installed in accordance with the NEC or CEC and all other applicable codes. All junction boxes must be properly grounded. These devices are not suitable for hazardous locations.

These junction boxes are not provided with cable entry holes. All holes added should be done by experienced personnel through the thickened areas of the junction box suitable for threading. Keep tightly closed when in operation. Do not attempt to install this receptacle unless you are familiar with warnings, cautions and procedures outlined in this information sheet.

INSTALLATION & ELECTRICAL WIRING

WARNING Risk of electrical shock hazard, only qualified personnel should conduct this procedure! Do not make electrical connections with the power ON. Use cu or cu clad wire only, rated for min. 75°C. These units are provided with receptacles for operation on 125 vac - 15/20 amp, 250 vac - 15/20 amp. Apply lubricant to all screws and threads during installation, failure to use can result in voiding warranty.

1. Locate and drill cable gland hole through the thickened area of the junction box (0A) per instructions furnished with cable gland (not provided). Clean all foreign material out of junction box.
 2. Mount the junction box (0A) in its intended location using 1/4" bolts (not provided). See illustration below for mounting dimensions.
 3. Cables should be stripped back approx. 6" - 10" to allow individual wires to flex.
 4. Install cable gland (not provided) to junction box (0A) per instructions furnished with cable gland.
 5. Route cable in through cable gland and secure seal on cable jacket.
- CAUTION** See marking on receptacle for voltage and current ratings.
6. Connect L1 lead to terminal on receptacle.
 7. Connect L2 lead to terminal on receptacle.
 8. Connect Green or earth wire to green ground screw on receptacle and ground screw (4B).
 9. Place receptacle (4A) inside junction box (0A).
 10. Mount receptacle (4A) with #6 screws (9C) provided.
 11. Place gasket (7A) over receptacle (4A) so it can be installed between the cover (1A) and junction box (0A).
 12. Mount cover (1A) to receptacle (4A) with #6 screw (9B) provided.



All statements, technical information and recommendations contained herein are based on information and tests we believe to be reliable. The accuracy or completeness thereof are not guaranteed. In accordance with Crouse-Hinds "Terms and Conditions of Sale", and since conditions of use are outside our control, the purchaser should determine the suitability of the product for his intended use and assumes all risk and liability whatsoever in connection therewith.