

# ProConnect PPR SERIES PLUGS AND RECEPTACLES Installation & Wiring Information

**SAVE THESE INSTRUCTIONS FOR FUTURE REFERENCE**

**CAUTION** Read carefully before installing and wiring.

Any warning or special instructions should be closely followed. Check the ratings to insure suitability for the environment & supply. Must be installed in accordance with the NEC and CEC and all other applicable codes.

All devices must be properly grounded. These devices are not suitable for hazardous locations. Do not attempt to install these devices unless you are familiar with warnings, cautions and procedures outlined in this information sheet.

**INSTALLATION & ELECTRICAL WIRING**

**WARNING** Risk of electrical shock hazard, only qualified personnel should conduct this procedure!

Do not make electrical connections with the power ON. Use cu or cu clad wire only. These devices are for operation up to 300 vac max. 20 amps, see marking on plug / connector / receptacle for voltage and current rating.

**PLUG:**

1. Route supply cable (not provided) through cable nut (3A), through grommet (6A), through threaded ring (2A), gasket (7A) into wiring cover (5A).
2. Cable should be stripped back approx. 1" - 2" to allow individual wires to flex.
3. Strip the insulation of the supply wires back approximately 3/8".

**CAUTION** See marking on plug for voltage and current rating.

4. Make electrical connections to plug (4A).
5. Place wiring cover (5A) over plug (4A) connections.
6. Tighten screws (9A).
7. Slide gasket (7A) and threaded ring (2A) over wiring cover (5A).
8. Push cable grommet (6A) inside wiring cover (5A).
9. Tighten cable nut (3A) to wiring cover (5A).

**IN-LINE CONNECTOR:**

1. Route supply cable (not provided) through cable nut (3B), through grommet (6B), into wiring cover (5B).
2. Cable should be stripped back approx. 1" - 2" to allow individual wires to flex.
3. Strip the insulation of the supply wires back approximately 3/8".

**CAUTION** See marking on connector for voltage and current rating.

4. Make electrical connections to connector (4B).
5. Place wiring cover (5B) over connector (4B) connections.
6. Tighten screws (9B).
7. Push cable grommet (6B) inside wiring cover (5B).
8. Tighten cable nut (3B) to wiring cover (5B).

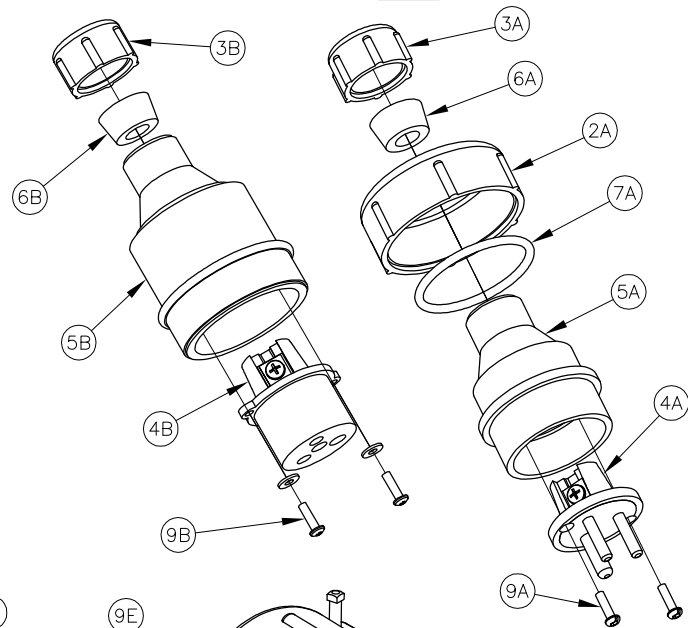
**RECEPTACLE:**

1. Route supply cable (not provided) through cable nut (3C), through grommet (6C), into junction box (1C).
2. Cable should be stripped back approx. 3" - 4" to allow individual wires to flex.
3. Strip the insulation of the supply wires back approximately 3/8".

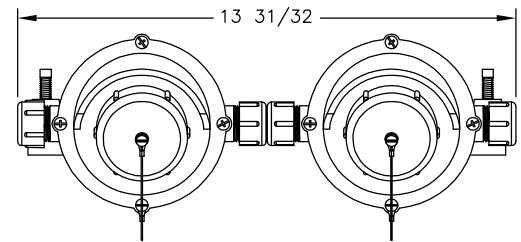
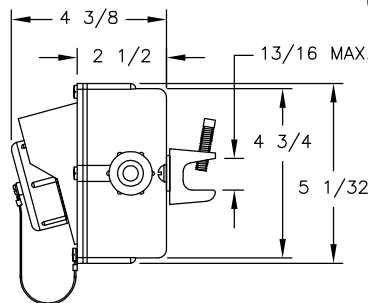
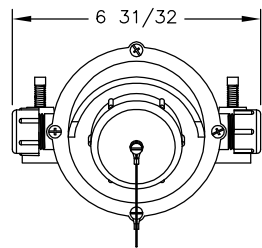
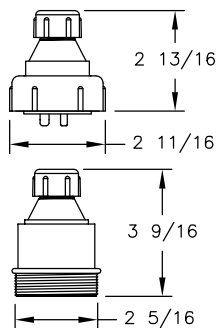
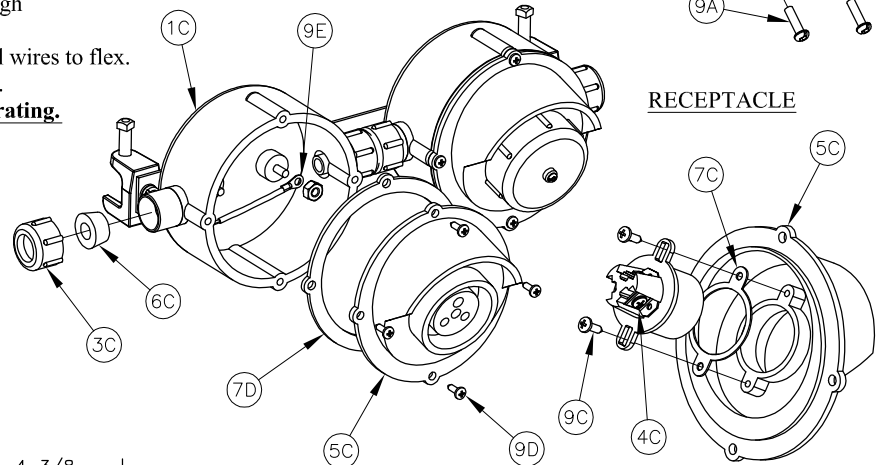
**CAUTION** See marking on receptacle for voltage and current rating.

4. Make electrical connections to receptacle (4C).
5. Connect Green or earth wire to ground wire (9E).
6. Mount receptacle (4C) using screws (9C) to cover (5C) with gasket (7C) between receptacle and cover.
7. Slip gasket (7D) over cover (5C) to place between the cover and junction box.
8. Mount cover (5C) to junction box (1C) with screws (9D).
9. Tighten screws (9D) to create a proper seal.
10. Push cable grommet (6C) inside junction box (1C).
11. Pull excess cable out of junction box (1C) and tighten cable nut (3C) to junction box.

**IN-LINE CONNECTOR**



**RECEPTACLE**



All statements, technical information and recommendations contained herein are based on information and tests we believe to be reliable. The accuracy or completeness thereof are not guaranteed. In accordance with Crouse-Hinds "Terms and Conditions of Sale", and since conditions of use are outside our control, the purchaser should determine the suitability of the product for his intended use and assumes all risk and liability whatsoever in connection therewith.