

246 / 247 SERIES

WATERTIGHT RECEPTACLE AND BREAKER

Installation & Wiring Information

SAVE THESE INSTRUCTIONS FOR FUTURE REFERENCE

CAUTION Read carefully before installing and wiring the unit.

Any warning or special instructions should be closely followed. Check the ratings to insure suitability for the environment & supply. Must be installed in accordance with the NEC or CEC and all other applicable codes. All junction boxes must be properly grounded. These devices are not suitable for hazardous locations.

These devices are not provided with cable entry holes. All holes added should be done by experienced personnel. Keep tightly closed when in operation. Do not attempt to install this unit unless you are familiar with warnings, cautions and procedures outlined in this information sheet.

INSTALLATION & ELECTRICAL WIRING

WARNING Risk of electrical shock hazard, only qualified personnel should conduct this procedure!

Do not make electrical connections with the power ON. Use cu or cu clad wire only. These units are provided with breaker (480 vac, max. 15, 20 or 30 amps) and receptacle for operation on 125 vac (250,277,380,480 vac optional) max. 30 amps. Consideration to the number of receptacles installed on each line should be given when selecting cable size. Apply lubricant to all screws and threads during installation, failure to use can result in voiding warranty.

1. Locate and drill cable gland hole through junction box (0A) per instructions furnished with cable gland (not provided). Clean all foreign material out of junction box.
2. Mount the junction box (0A) in its intended location using minimum 1/4" bolts (not provided). See illustration below for mounting dimensions.
3. Cables should be stripped back approx. 4" - 6" to allow individual wires to flex.
4. Install cable glands (not provided) per instructions furnished with cable gland.
5. Route cable in through cable gland and secure seal on cable jacket.

CAUTION See marking on breaker and receptacle for voltage and current rating.

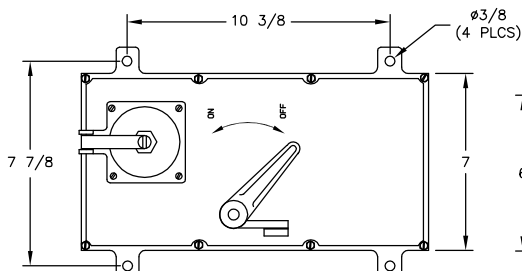
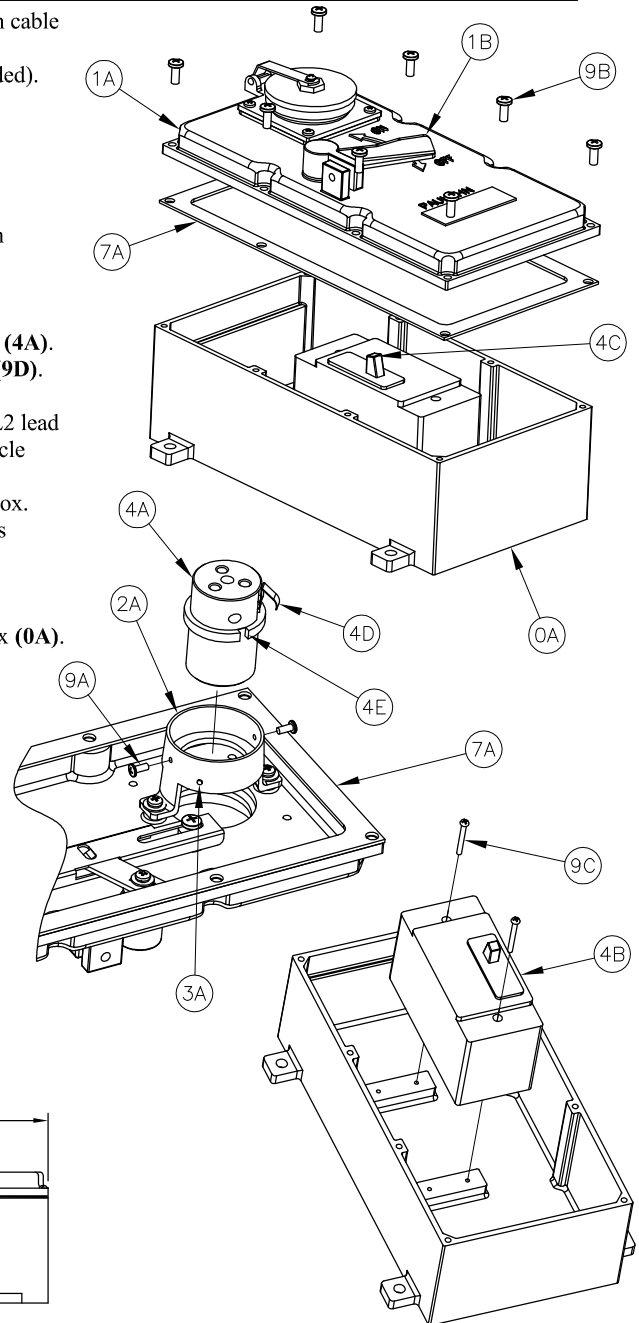
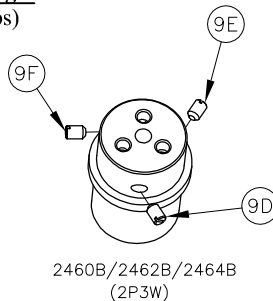
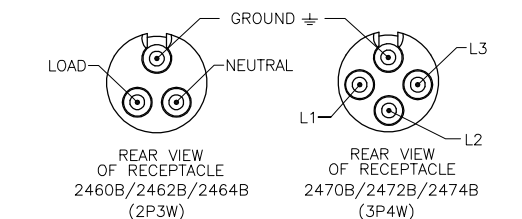
6. Connect both L1 leads to terminals on breaker (4B). Connect both L2 leads to terminals on breaker (4B). For 3 pole breaker: Connect both L3 leads to terminal on breaker (4B).
7. Place breaker (4B) inside housing (0A).
8. Mount breaker (4B) with #8 screws (9C) provided.
9. Loosen #8 screws (9A) (qty. 2x) on side of receptacle holder (2A) and slide out receptacle (4A).
10. (2P3W) - Insert L1 (Load) lead into sleeve of receptacle (4A) and secure with set screw (9D). Insert L2 (Neutral) lead into sleeve of receptacle (4A) and secure with set screw (9E).
10. (3P4W) - Insert L1 lead into sleeve of receptacle (4A) and secure with set screw. Insert L2 lead into sleeve of receptacle (4A) and secure with set screw. Insert L3 lead into sleeve of receptacle (4A) and secure with set screw.
11. Connect Green or earth wire to ground terminal on receptacle (9F) and ground junction box.
12. Align receptacle (4A) in holder (2A) with notch (4E) to rivet (3A). Secure with #8 screws (9A) (qty. 2x).

CAUTION Verify that ground strap (4D) is in contact with holder (2A). If not bend out ground strap (4D) before placing receptacle (4A) back in holder (2A).

13. Slip gasket (7A) over cover (1A) so it can be installed between the cover and junction box (0A).
14. Rotate lever (1B) to engage cam to breaker switch (4C) in correct ON or OFF position.
15. Mount cover (1A) to junction box (0A) with 1/4" bolts (9B) provided. Torque 1/4" bolts only enough to insure a good gasket seal (approx. 5 Ft*lbs).

CAUTION For watertight connections use Pauluhn Plugs:

430BP-125 (2P3W-30 amps) / 431BP-125 (3P4W-30 amps)



All statements, technical information and recommendations contained herein are based on information and tests we believe to be reliable. The accuracy or completeness thereof are not guaranteed. In accordance with Crouse-Hinds "Terms and Conditions of Sale", and since conditions of use are outside our control, the purchaser should determine the suitability of the product for his intended use and assumes all risk and liability whatsoever in connection therewith.