

6000B / 6583B SERIES WELDING RECEPTACLES & PLUGS

Installation & Wiring Information

IF LBL1543

SAVE THESE INSTRUCTIONS FOR FUTURE REFERENCE

CAUTION Read carefully before installing and wiring the receptacle. Any warning or special instructions should be closely followed. Check the ratings to insure suitability for the environment & supply. Must be installed in accordance with the NEC or CEC and all other applicable codes. All receptacles must be properly grounded. These devices are not suitable for hazardous locations.

These devices are not provided with cable entry holes. All holes added should be done by experienced personnel. Keep tightly closed when in operation. Do not attempt to install this receptacle unless you are familiar with warnings, cautions and procedures outlined in this information sheet.

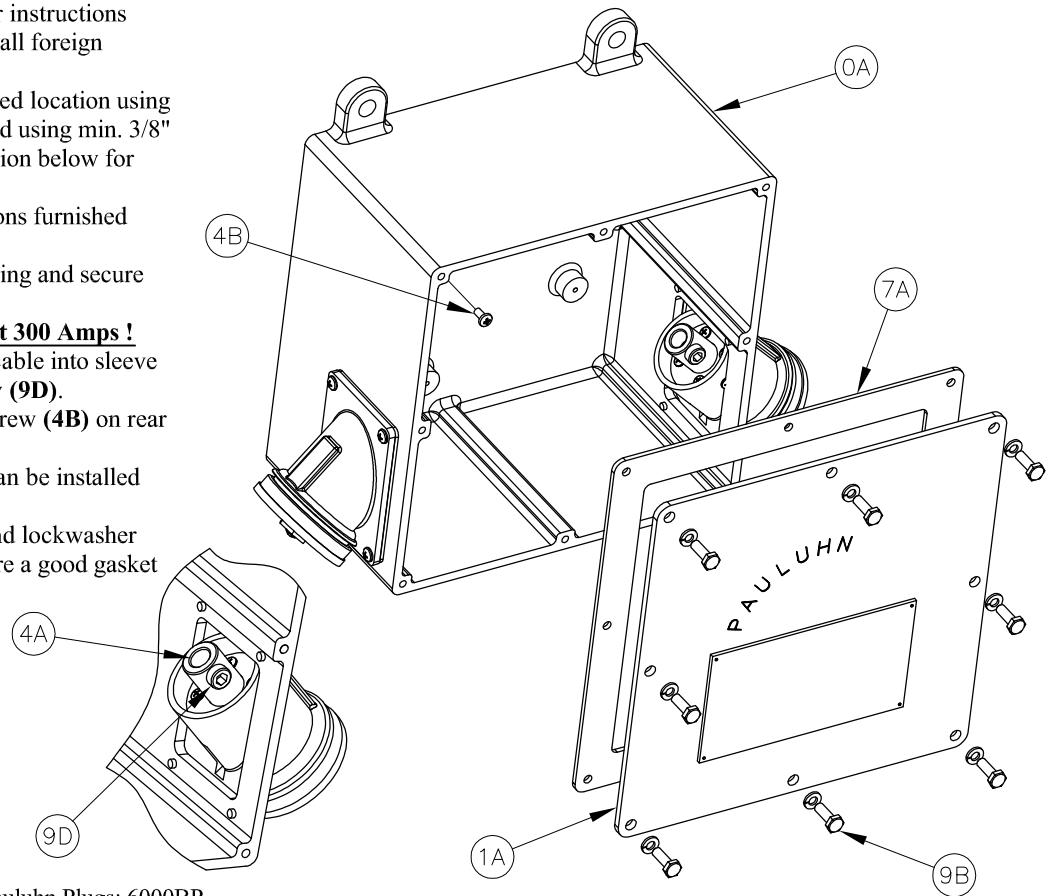
INSTALLATION & ELECTRICAL WIRING

WARNING Risk of electrical shock hazard, only qualified personnel should conduct this procedure!

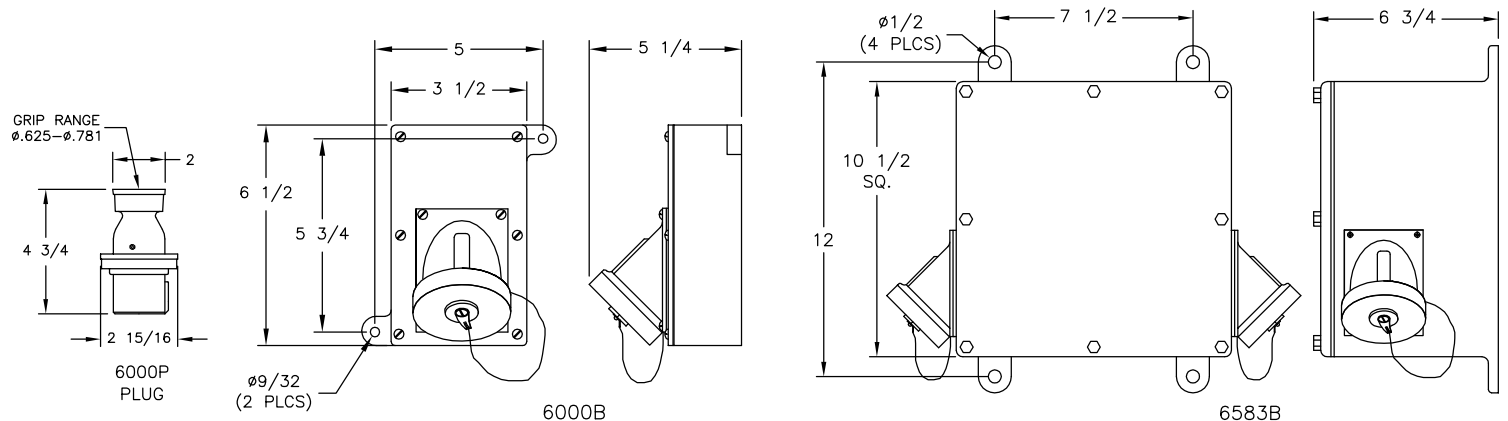
Disconnect from the supply circuit before opening the junction box. These units are provided with receptacles for operation on 250v DC or 600v AC, maximum 300 Amps. Apply lubricant to all screws and threads during installation, failure to use can result in voiding warranty.

1. Locate and drill the junction box (0A) per instructions furnished with fitting (not provided). Clean all foreign material out of junction box.
2. Mount the junction box (0A) in its intended location using min. 1/4" bolts (not provided) for 6000B and using min. 3/8" bolts (not provided) for 6583B. See illustration below for mounting dimensions.
3. Install fitting (not provided) per instructions furnished with fitting.
4. Route cable (not provided) in through fitting and secure seal on cable jacket.

5. Connect cable to receptacle (4A). Insert cable into sleeve of receptacle (4A) and secure with set screw (9D).
6. Connect Green or earth wire to ground screw (4B) on rear of junction box (0A).
7. Place gasket (7A) over cover (1A) so it can be installed between the cover and junction box (0A).
8. Mount cover (1A) with 1/4" bolts (9B) and lockwasher provided. Torque bolts only enough to insure a good gasket seal (max. 5 Ft*lbs).



CAUTION For watertight connections use Pauluhn Plugs: 6000BP



All statements, technical information and recommendations contained herein are based on information and tests we believe to be reliable. The accuracy or completeness thereof are not guaranteed. In accordance with Crouse-Hinds "Terms and Conditions of Sale", and since conditions of use are outside our control, the purchaser should determine the suitability of the product for his intended use and assumes all risk and liability whatsoever in connection therewith.