

(2P3W) 2640 & 2644 SERIES / (3P4W) 2641 & 2645 SERIES

SWITCHES AND RECEPTACLES

IF LBL1507

Installation & Wiring Information

SAVE THESE INSTRUCTIONS FOR FUTURE REFERENCE

CAUTION Read carefully before installing and wiring the receptacle. Any warning or special instructions should be closely followed. Check the ratings to insure suitability for the environment & supply. Must be installed in accordance with the NEC or CEC and all other applicable codes. All receptacles must be properly grounded. These devices are not suitable for hazardous locations.

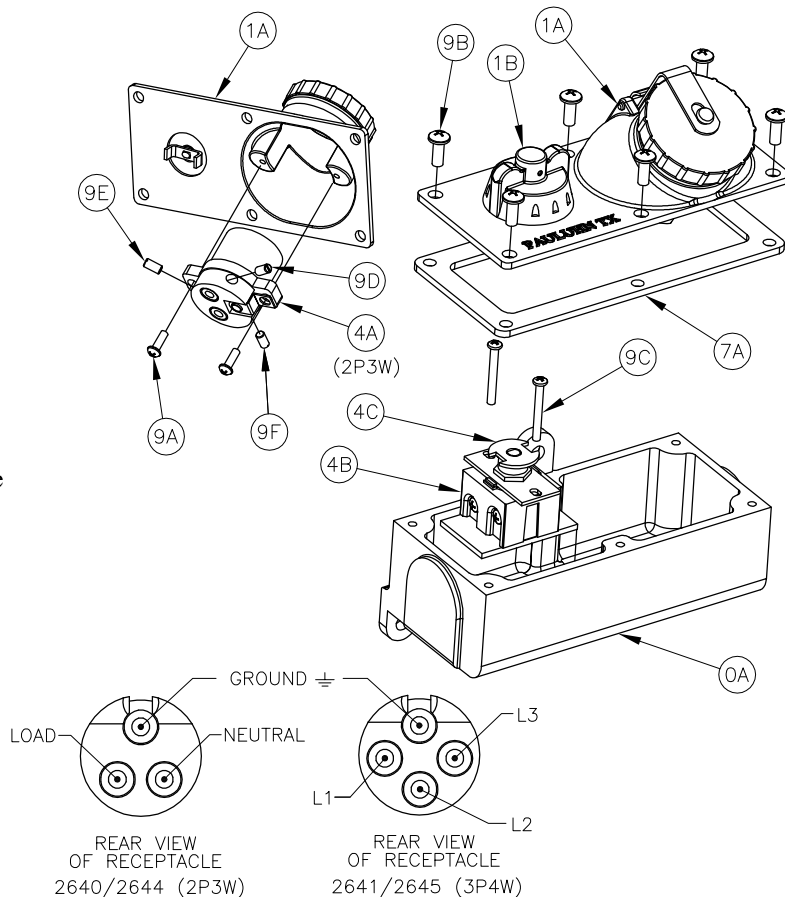
These devices are not provided with cable entry holes. All holes added should be done by experienced personnel through the thickened areas of the junction box suitable for threading. Keep tightly closed when in operation. Do not attempt to install this receptacle unless you are familiar with warnings, cautions and procedures outlined in this information sheet.

INSTALLATION & ELECTRICAL WIRING

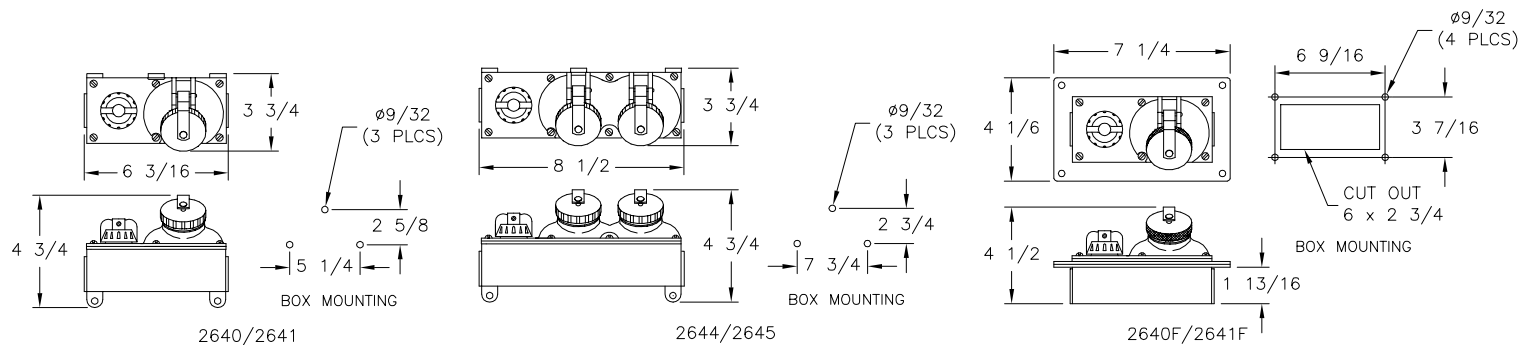
WARNING Risk of electrical shock hazard, only qualified personnel should conduct this procedure!

Do not make electrical connections with the power ON. Use cu or cu clad wire only. These units are provided with receptacles for operation on 125 vac (208,250,277,480,600 vac optional) max. 20 amps. Consideration to the number of receptacles installed on each line should be given when selecting cable size. Apply lubricant to all screws and threads during installation, failure to use can result in voiding warranty.

1. Locate and drill cable gland hole through the thickened area of the junction box (0A) per instructions furnished with cable gland (not provided). Clean all foreign material out of junction box.
2. Mount the junction box (0A) in its intended location using 1/4" bolts (not provided). See illustration below for mounting dimensions.
3. Cables should be stripped back approx. 6" - 10" to allow individual wires to flex.
4. Install cable glands (not provided) per instructions furnished with cable gland.
5. Route cable in through cable gland and secure seal on cable jacket.
6. Connect receptacle (4A) to rotary switch (4B). Insert Black wire into sleeve of receptacle (4A) and secure with set screw (9D), connect other end to screw on side of switch (4B). Insert White wire into sleeve of receptacle (4A) and secure with set screw (9E), connect other end to screw on the side of switch (4B).
7. Connect rotary switch (4B) to supply line. L1 (Hot) lead to black wire side of switch (4B). L2 (Neutral) lead to white wire side of switch (4B).
8. Connect Green or earth wire to Ground sleeve on rear of receptacle (4A) and secure with set screw (9F).
9. Mount each receptacle (4A) to the cover (1A) with two #8 screws (9A) provided.
10. Mount rotary switch (4B) to the junction box (0A) with two #6 screws (9C) provided.
11. Slip gasket (7A) over cover (1A) so it can be installed between the cover and junction box (0A).
12. Mount cover (1A) with #10 screws (9B) provided. Making sure cam (4C) on rotary switch is align with knob (1B) on cover. Torque screws only enough to insure a good gasket seal (approx. 10-20 in.lbs).



CAUTION For watertight connections use Pauluhn Plugs: 420BP(2P3W,Brass) / 420-4BP(3P4W,Brass) / 420PP(2P3W,Plastic) / 420-4PP(3P4W,Plastic).



All statements, technical information and recommendations contained herein are based on information and tests we believe to be reliable. The accuracy or completeness thereof are not guaranteed. In accordance with Crouse-Hinds "Terms and Conditions of Sale", and since conditions of use are outside our control, the purchaser should determine the suitability of the product for his intended use and assumes all risk and liability whatsoever in connection therewith.