

EPCS221 SERIES EXPLOSION PROOF LOCKING SWITCH

Installation & Wiring Information

SAVE THESE INSTRUCTIONS FOR FUTURE REFERENCE

⚠ CAUTION Read carefully before installing and wiring the receptacle. Any warning or special instructions should be closely followed. These instructions include information for installation in hazardous locations. Hazardous area installations should be done in accordance with article 500 and 501 of the NEC. Check the ratings to insure suitability for the environment & supply. Must be installed in accordance with the NEC (National Electrical Code) and all other applicable codes.

All junction boxes must be properly grounded. To reduce the risk of fire or explosion, do not install where the marked operating temperature exceeds the ignition temperature of the hazardous atmosphere. Disconnect device from supply circuit before opening. Keep tightly closed when in operation. Do not attempt to install this device unless you are familiar with warnings, cautions and procedures outlined in this information sheet.

INSTALLATION & ELECTRICAL WIRING

⚠ WARNING Risk of electrical shock hazard, only qualified personnel should conduct this procedure!

Do not make electrical connections with the power ON. Use cu or cu clad wire only, rated for min. 75°C. These units are provided with switch rated 20 or 30 amps, 120-277 vac. Apply lubricant to all screws and threads during installation, failure to use can result in voiding warranty.

⚠ WARNING USE IN CLASS I, GROUPS C & D, AND CLASS II, GROUPS E, F & G.

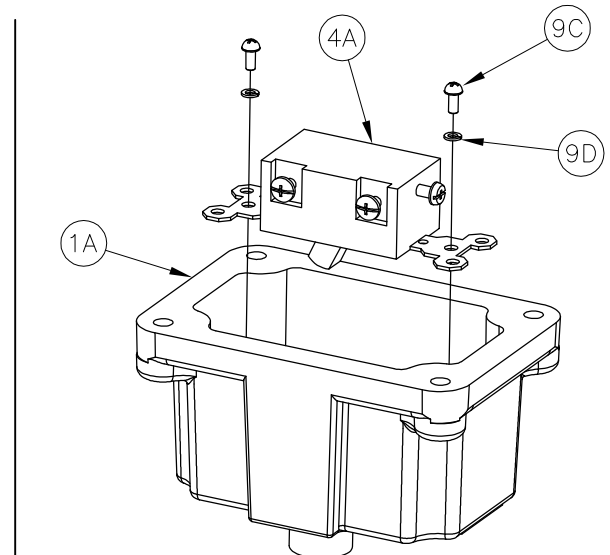
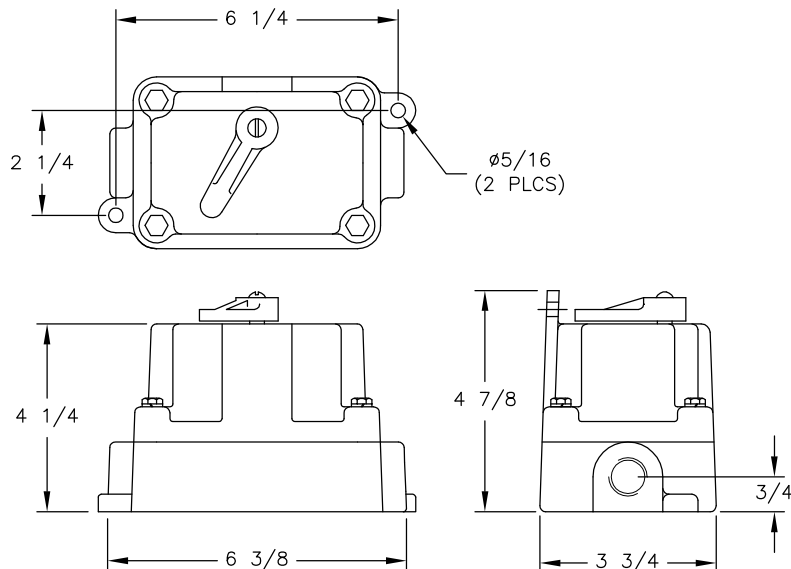
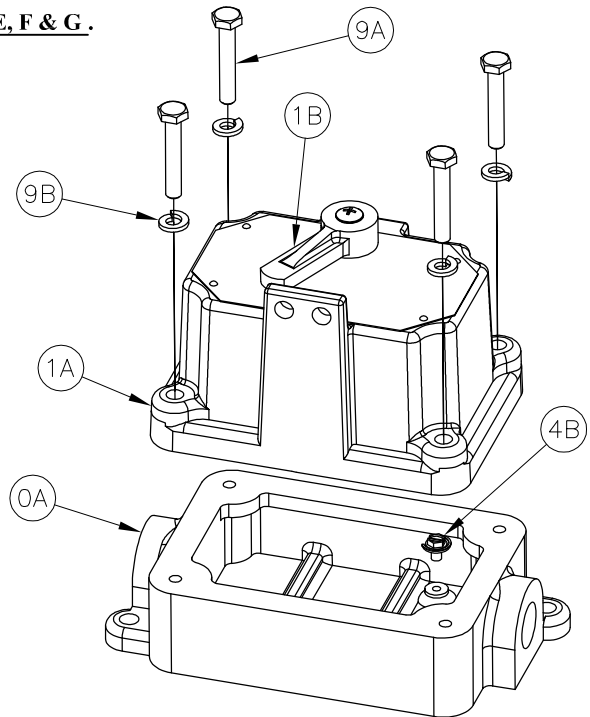
1. Mount the junction box (0A) in its intended location using 1/4" bolts (not provided). See illustration below for mounting dimensions.
2. Cables should be stripped back approx. 6" - 10" to allow individual wires to flex.
3. Install cable gland (not provided) to junction box (0A) per instructions furnished with cable gland.
4. Route cable in through cable gland and secure seal on cable jacket.

⚠ CAUTION See cover label for voltage and current ratings.

5. Connect L1 lead to terminal on switch.
6. Connect L2 lead to terminal on switch.
7. Connect Green or earth wire to green ground screw on switch and ground screw (4B).
8. Place switch (4A) inside cover (1A). Rotate lever (1B) to engage cam to switch.
9. Mount switch (4A) with #6 screws (9C) and lock washers (9D) provided.

NOTE: Clean both junction box and cover surfaces free of debris prior to reassembly.

10. Mount cover (1A) to junction box (0A) with 1/4" bolts (9A) and lock washer (9B) provided. Torque 1/4" bolts to 10 ft.lbs.



All statements, technical information and recommendations contained herein are based on information and tests we believe to be reliable. The accuracy or completeness thereof are not guaranteed. In accordance with Crouse-Hinds "Terms and Conditions of Sale", and since conditions of use are outside our control, the purchaser should determine the suitability of the product for his intended use and assumes all risk and liability whatsoever in connection therewith.