

EPCS2400 / EPCS2401 SERIES EXPLOSION PROOF INTERLOCKING PLUGS AND RECEPTACLES

Installation & Wiring Information

IF LBL1496

SAVE THESE INSTRUCTIONS FOR FUTURE REFERENCE

CAUTION Read carefully before installing and wiring the receptacle. Any warning or special instructions should be closely followed. These instructions include information for installation in hazardous locations. Hazardous area installations should be done in accordance with article 500 and 501 of the NEC. Check the ratings to insure suitability for the environment & supply. Must be installed in accordance with the NEC (National Electrical Code) and all other applicable codes.

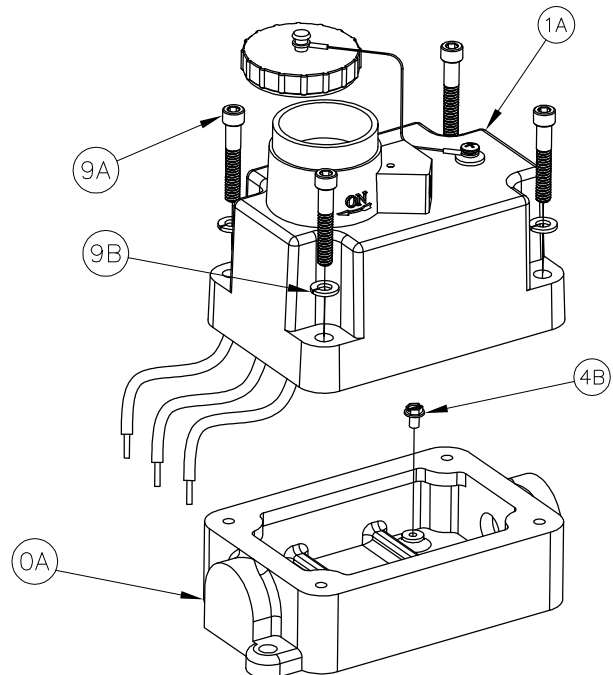
All receptacles must be properly grounded. To reduce the risk of fire or explosion, do not install where the marked operating temperature exceeds the ignition temperature of the hazardous atmosphere. Disconnect device from supply circuit before opening. Keep tightly closed when in operation. Do not attempt to install this device unless you are familiar with warnings, cautions and procedures outlined in this information sheet.

INSTALLATION & ELECTRICAL WIRING

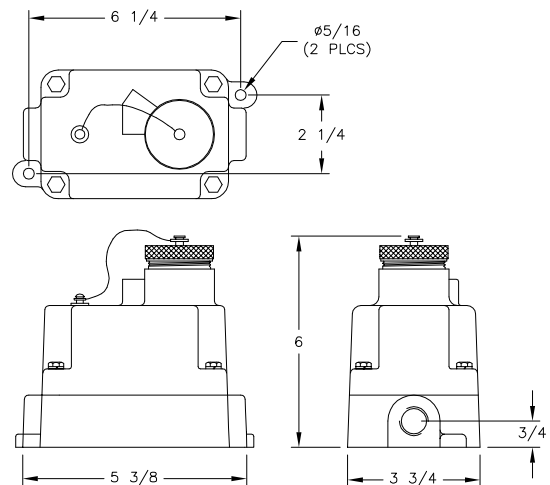
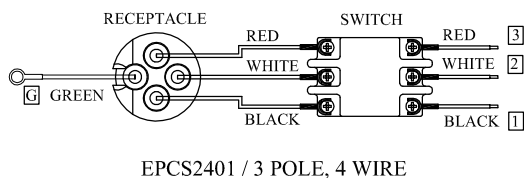
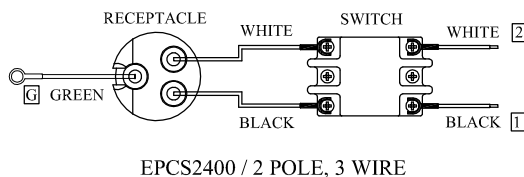
WARNING Risk of electrical shock hazard, only qualified personnel should conduct this procedure! Do not make electrical connections with the power ON. Use cu or cu clad wire only, rated for 75°C. These units are provided with receptacles rated 20 amps 2 HP, 115-575 vac, 1 or 3 phase. Consideration to the number of receptacles installed on each line should be given when selecting cable size. Apply lubricant to all screws and threads during installation, failure to use can result in voiding warranty.

WARNING USE IN CLASS I, GROUPS C & D, AND CLASS II, GROUPS F & G. DO NOT USE IN CLASS II, GROUP F LOCATIONS THAT CONTAIN ELECTRICALLY CONDUCTIVE DUSTS. TO PREVENT SHOCK HAZARD, THE RECEPTACLE COVER MUST BE REPLACED UPON REMOVING PLUG FROM RECEPTACLE.

1. Mount the junction box (0A) in its intended location using 1/4" bolts (not provided). See illustration below for mounting dimensions.
 2. Cables should be stripped back approx. 6" - 10" to allow individual wires to flex.
 3. Install cable gland (not provided) to junction box (0A) per instructions furnished with cable gland.
 4. Route cable in through cable gland and secure seal on cable jacket.
 5. Using connectors rated 75°C, connect L1 (Hot) lead to black wire labeled, no.1. See wiring diagram.
 6. Connect L2 (Neutral) lead to white wire labeled, no.2. See wiring diagram.
 7. Connect Green wire labeled G from receptacle to green Ground screw (4B).
 8. Connect Green or earth wire to green Ground screw (4B).
- NOTE:** Clean both junction box and cover surfaces free of debris prior to reassembly.
9. Mount cover (1A) with 1/4" bolts (9A) and lock washer (9B) provided. Torque 1/4" bolts to 10 ft.lbs.



CAUTION For explosion proof and watertight connections use Pauluhn Plugs: EP3610 (2 pole 3 wire plug) or EP3611 (3 pole 4 wire plug)



All statements, technical information and recommendations contained herein are based on information and tests we believe to be reliable. The accuracy or completeness thereof are not guaranteed. In accordance with Crouse-Hinds "Terms and Conditions of Sale", and since conditions of use are outside our control, the purchaser should determine the suitability of the product for his intended use and assumes all risk and liability whatsoever in connection therewith.