

Pauluhn XPFCConnect-PS EP and EPCS wiring devices

Cl. I, Div. 1 & 2, Groups C, D
Cl. II, Div. 1 & 2, Groups F, G
Conforms to IP66

12P

Applications:

- Marine and watertight requirements
- Oil and gas exploration and production
- Fuel dispensing facilities
- Petrochemical facilities
- Pipeline compressor/pumping and storage

Features:

- Receptacles are rated for operation on 125 VAC or optional 250 VAC
- Cast marine brass construction
- Internal activation switch is rated at 20 amperes, 2 horsepower at 115-575 VAC, 2- and 3-phase
- Unique design has no levers and only one moving part for superior reliability
- Interlock ensures the plug can only be inserted into the receptacle while the unit is switched off and cannot be removed while the unit is energized
- 2-pole, 3-wire or 3-pole, 4-wire units available

Certifications and compliances:

- Class I, Divisions 1 & 2, Groups C, D
- Class II, Divisions 1 & 2, Groups F, G
- UL1010 – Receptacle/Plug Combinations for Hazardous Locations
- Conforms to IP66
- ABS

Standard materials:

- Box and cover – cast marine brass
- Hardware – stainless steel

Technical specifications:

- Entries – standard one 1/2" NPT outlet; up to two 3/4" NPT through feed available

Voltage and current ratings:

Receptacle

- Pin and sleeve type
- Rated for 125 VAC (standard); 250 VAC (optional)

Switch

- Rated 20 amperes, 2 HP at 115-575 VAC, 2- and 3-phase

Mounting option:

- Surface mount, via two maximum 5/16" mounting bolts (not included)



Options:

Description	Suffix
• 250 VAC.....	250^A

Entry options:

NPT trade size	Dead end	Through feed
1/2"	Std.	C1
3/4"	E2	C2

Ordering information:

Cat. #	Description	Material	Weight (lbs.)
EPSC2400B-125	2-pole, 3-wire receptacle	Marine brass	17.5
EPSC2401B-125	3-pole, 4-wire receptacle	Marine brass	17.5
EP3610B-125	2-pole, 3-wire plug	Marine brass	2.0
EP3611B-125	3-pole, 4-wire plug	Marine brass	2.0

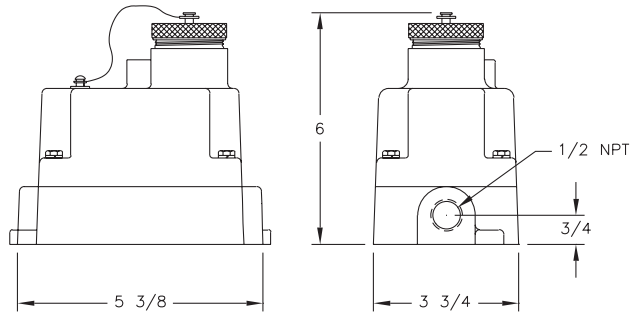
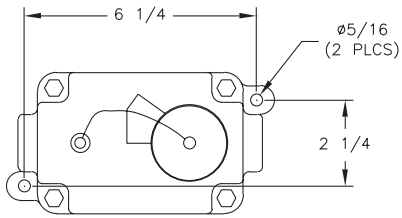
^AReplace '125' in catalog number.

Pauluhn XPFCConnect-PS EP and EPCS wiring devices

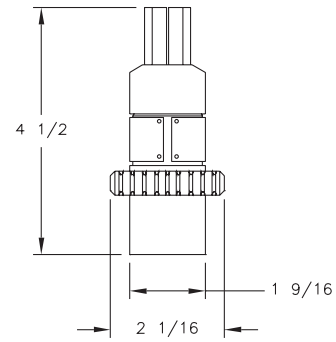
Cl. I, Div. 1 & 2, Groups C, D
Cl. II, Div. 1 & 2, Groups F, G
Conforms to IP66

12P

Dimensions (in inches):



EPCS2400B-125



EP3610B-125

12P

Applications:

- Aircraft fueling and maintenance areas
- Oil and gas exploration and production
- Grain and sugar milling, processing and storage
- Fuel dispensing facilities
- Petrochemical facilities
- Coal processing and storage
- Munitions manufacturing and storage
- Marine and watertight requirements
- Paint and formulation facilities
- Pipeline compressor/pumping and storage
- Alcohol formulation, blending and storage

Features:

- May be locked into the ON or OFF position for added safety
- Heavy duty mounting pads
- Silicone lubricant provided for cover screws and flange
- Flametight, close tolerance threaded switch stem
- 20 amperes single-pole, two-pole, three-way and four-way units
- 20 or 30 amperes single-pole double throw and two-pole double throw options

Certifications and compliances:

- Class I, Divisions 1 & 2, Groups C, D
- Class II, Divisions 1 & 2, Groups E, F, G
- UL894 – Switches for Use in Hazardous Locations
- Conforms to IP65
- ABS

Standard materials:

- Box and cover – cast copper-free aluminum
- Switch stem – stainless steel
- Hardware – stainless steel

Technical specifications:

- Entries – one 1/2" NPT (standard); up to 3/4" NPT through feed available (optional)
- Voltage – 120-277 VAC

Mounting option:

- Surface mount, via two 5/16" maximum mounting bolts (not included)



Entry options:

NPT trade size	Dead end	Through feed
1/2"	Std.	C1
3/4"	E2	C2

Ordering information:

Cat. #	Description	Weight (lbs.)
EPCS2211A	Single-pole, 20A	4.5
EPCS2212A	Two-pole, 20A	4.5
EPCS2212A-30	Two-pole, 30A	4.5
EPCS2214A	Three-way, 20A	4.5
EPCS2215A	Four-way, 20A	4.5
EPCS2216A	Single-pole double throw (ON), 30A	4.5
EPCS2217A	Single-pole double throw (ON/OFF/ON), 20A	4.5
EPCS2218A	Two-pole double throw (ON/OFF/ON), 20A	4.5
EPCS2219A	Two-pole double throw (ON), 30A	4.5

Dimensions (in inches):

