

Applications:

- Drills
- Shuttle cars
- Conveyors
- Power distribution
- Slusher hoists
- Motors
- Heavy equipment
- Ship-to-shore power
- Wastewater
- Submersible pumps
- Longwalls
- Mining skids

Features:

- Corrosion-resistant – molded neoprene components (insert body, sleeve, grommets), neoprene covered alloy couplings and stainless steel clamps are unaffected by most chemicals and acids
- Field attachable – quick field assembly requires standard tools with color-coded wiring terminals indicating proper conductor locations; dual set screw design enhances connection
- Quick disconnect – couplers with “pin and groove” design support engagement and disengagement in just $\frac{3}{4}$ turn; couplers revolve freely on replaceable ball bearings
- Safe – all metal components are thoroughly insulated using a barrier of molded neoprene; a reversed ground pin assures positive polarization
- Watertight – compression fit of neoprene components and cable hugging grommets provide a moisture-tight seal; positive water seal between mated connectors is provided by an o-ring type seal molded to the connector

Flexible grommet adapts sleeve to varying cable diameters.

One-piece neoprene protective sleeve seals wiring area from dirt, grit and moisture.

Non-slipping, worm-gear driven clamps assure a watertight fit between protective sleeve, terminal area and cable. Stainless steel components resist corrosion.

Sturdy neoprene covered metal couplings withstand rough handling and abuse. Pin and groove threads engage or disengage in just $\frac{3}{4}$ turn; won't cross thread or burr. (Largest model has double pitch acme thread).

Copper alloy contacts provide low resistance electrical connection; firmly bonded in molded body; won't jar loose.

Couplers revolve freely on replaceable ball bearings.

Molded-on o-ring prevents entrance of water in mated connectors.

Neoprene shoulder fits snugly in female socket recess, sealing out water.

Quik-Loc™ male and female connectors provide electrical, mechanical and environmental protection for 600 volt AC and DC applications.

Certifications and compliances:

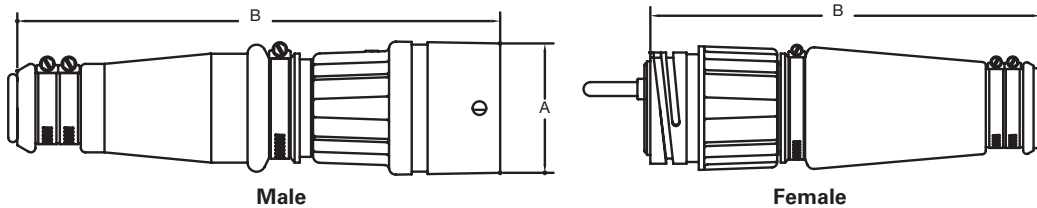
- 600 volt MSHA (Mine Safety Health Administration) approval for underground mining



Ordering information:

Max. single-pole conductor size (AWG)	600V connector amperage rating ^A	Dimensions (approximate inches)		Cat. # Male	Cat. # Female	Protective cap for plug receptacle	
		A	B			Cat. # For male	Cat. # For female
For DC 2 power + 1 ground without pilot circuit contacts							
#4	125	4	13 ³ / ₁₆	X8323-4C	X8323-3C	3325656-2	3325656-1
#2	160	4	13 ¹¹ / ₁₆	X8324-2C	X8324-1C	3325656-2	3325656-1
2/0	225	4 ⁷ / ₁₆	15 ⁵ / ₁₆	X8325-3C	X8325-2C	3325656-4	3325656-3
4/0	325	4 ⁷ / ₈	13 ¹⁹ / ₁₆	X8326-1C	X8326-2C	3325656-8	3325656-7
400 MCM	500	6	19 ⁹ / ₁₆	X8327-1C	X8326-2C	3325656-10	3325656-9
For DC 2 power + 1 ground with pilot circuit contacts							
#8	75	4	13 ¹ / ₁₆	X8329-2C	X8329-1C	3325656-2	3325656-1
#4	125	1	13 ⁹ / ₁₆	X8330-3C	X8330-4C	3325656-2	3325656-1
#2	160	4 ⁷ / ₁₆	14 ¹⁵ / ₁₆	X8331-1C	X8331-4C	3325656-4	3325656-3
2/0	225	4 ⁷ / ₈	16 ⁵ / ₁₆	X8332-1C	X8332-8C	3325656-6	3325656-5
4/0	325	5	16 ¹ / ₂	X8333-4C	X8333-3C	3325656-8	3325656-7
300 MCM	425	6 ⁷ / ₁₆	22 ¹ / ₄	X8334-2C	X8334-1C	3325656-10	3325656-9
400 MCM	625	4 ⁷ / ₈	29 ⁵ / ₁₆	X8335-1C	X8335-2C	3325656-12	3325656-11
For AC 3 power + 1 ground without pilot circuit contacts							
#8	75	3 ⁵ / ₈	11 ¹³ / ₁₆	X8336-3D	X8336-2D	3325656-2	3325656-1
#4	125	4	13 ³ / ₁₆	X8337-3D	X8337-4D	3325656-2	3325656-1
#2	160	3 ⁷ / ₈	13 ¹ / ₁₆	X8338-2D	X8338-3D	3325656-4	3325656-3
2/0	225	4 ⁹ / ₁₆	14 ¹ / ₁₆	X8339-1D	X8339-2D	3325656-6	3325656-5
4/0	325	5	16 ¹ / ₂	X8340-5D	X8340-4D	3325656-8	3325656-7
300 MCM	425	6 ⁷ / ₁₆	22 ¹ / ₄	X8341-2C	X8341-1C	3325656-10	3325656-9
For AC 3 power + 1 ground with pilot circuit contacts							
#8	75	4	13 ³ / ₁₆	X8343-5D	X8343-4D	3325656-2	3325656-1
#4	125	3 ⁷ / ₈	13	X8344-5D	X8344-4D	3325656-4	3325656-3
#2	160	4 ⁷ / ₁₆	14 ¹ / ₁₆	X8345-5D	X8345-6D	3325656-6	3325656-5
2/0	225	4 ⁵ / ₈	13 ¹⁵ / ₁₆	X8346-2D	X8346-1D	3325656-8	3325656-7
4/0	325	6 ⁷ / ₁₆	21 ¹⁵ / ₁₆	X8347-2D	X8347-1D	3325656-10	3325656-9
400 MCM	500	7 ⁷ / ₁₆	29 ⁷ / ₁₆	X8348-3B	X8348-2B	3325656-12	3325656-11

Dimensions:



^AThis is the connector rating only. Operating rating must be based on cable capacity. Cable rating CANNOT exceed connector rating.

Quik-Loc 600 volt dusttight receptacles

Quik-Loc male and female receptacles use machined manganese bronze mounting shells with 3/4 turn rotation.

Certifications and compliances:

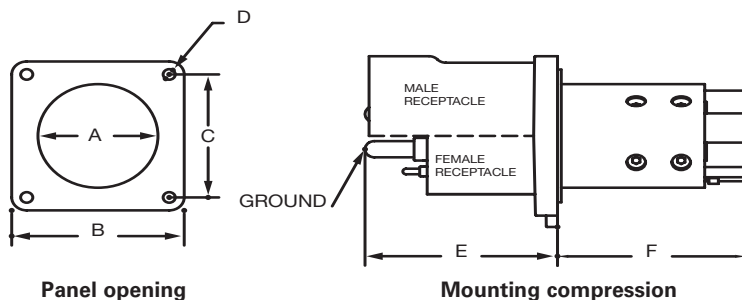
- 600 volt MSHA (Mine Safety Health Administration) approval for underground mining



Ordering information:

Receptacle amperage rating	Cat. # Male	Cat. # Female	Dimensions (approximate inches)						Cat. # Pilot short circuiting cap or female receptacle
			A	B	C	D	E	F	
For DC 2 power + 1 ground without pilot circuit contacts									
125	X8323-13C	X8323-8C	2	3 ³ / ₈	2 ³ / ₄	5 ⁵ / ₁₆	5 ⁷ / ₁₆	4	-
160	X8324-13C	X8324-8C	2	3 ³ / ₈	2 ³ / ₄	5 ⁵ / ₁₆	5 ⁷ / ₁₆	4	-
225	X8325-13C	X8325-8C	2 ⁵ / ₁₆	3 ³ / ₈	2 ⁷ / ₈	5 ⁵ / ₁₆	5 ⁹ / ₁₆	4 ¹ / ₂	-
325	X8326-13C	X8326-8C	3	4 ¹ / ₂	3 ¹ / ₂	3 ³ / ₈	6 ¹ / ₈	5 ⁵ / ₁₆	-
500	X8327-11C	X8327-6C	4	6	4 ³ / ₄	7 ¹ / ₁₆	7 ¹ / ₂	6 ¹ / ₁₆	-
For DC 2 power + 1 ground with pilot circuit contacts									
75	X8329-15C	X8329-10C	2	3 ³ / ₈	2 ³ / ₄	5 ⁵ / ₁₆	4 ¹⁵ / ₁₆	4	X8329-3
125	X8330-16C	X8330-12C	2	3 ³ / ₈	2 ³ / ₄	5 ⁵ / ₁₆	5 ⁵ / ₁₆	3 ³ / ₈	X8330-7
160	X8331-15C	X8331-11C	2 ⁵ / ₁₆	3 ⁵ / ₈	2 ⁷ / ₈	5 ⁵ / ₁₆	5 ⁹ / ₁₆	4 ¹ / ₂	X8331-6
225	X8332-16C	X8332-13C	2 ⁵ / ₈	4	3 ¹ / ₈	5 ⁵ / ₁₆	6 ¹ / ₁₆	4 ¹⁵ / ₁₆	X8332-9
325	X8333-7C	X8333-1C	3	4 ¹ / ₂	3 ¹ / ₂	3 ³ / ₈	6 ¹ / ₂	5 ⁵ / ₁₆	X8333-12
425	X8334-15C	X8334-10C	4	6	4 ³ / ₄	7 ¹ / ₁₆	7 ⁷ / ₁₆	6 ¹ / ₁₆	X8334-5
625	X8335-8C	X8335-4C	5	7 ¹ / ₄	5 ⁵ / ₈	9 ¹ / ₁₆	8 ⁷ / ₈	6 ¹ / ₄	X8335-6
For AC 3 power + 1 ground without pilot circuit contacts									
75	X8336-13D	X8336-8D	2	3 ³ / ₈	2 ³ / ₄	5 ⁵ / ₁₆	5 ⁵ / ₁₆	4	-
125	X8337-14C	X8337-11C	2	3 ³ / ₈	2 ³ / ₄	5 ⁵ / ₁₆	5 ⁷ / ₁₆	4	-
160	X8338-13C	X8338-8C	2 ⁵ / ₁₆	3 ⁵ / ₈	2 ⁷ / ₈	5 ⁵ / ₁₆	5 ⁹ / ₁₆	4 ¹ / ₂	-
225	X8339-13C	X8339-3C	2 ⁵ / ₈	4	3 ¹ / ₄	5 ⁵ / ₁₆	6 ¹ / ₁₆	4 ¹⁵ / ₁₆	-
325	X8340-2C	X8340-10C	3	4 ¹ / ₂	3 ¹ / ₂	3 ³ / ₈	6 ¹ / ₂	5 ⁵ / ₁₆	-
425	X8341-13C	X8341-9C	4	6	4 ³ / ₄	13 ¹³ / ₃₂	4 ¹³ / ₃₂	-	-
For AC 3 power + 1 ground with pilot circuit contacts									
75	X8343-16C	X8343-12C	2	3 ³ / ₈	2 ³ / ₄	5 ⁵ / ₁₆	5 ⁵ / ₁₆	4	X8343-7
125	X8344-2C	X8344-1C	2 ⁵ / ₁₆	3 ³ / ₈	2 ⁷ / ₈	5 ⁵ / ₁₆	5 ⁷ / ₁₆	4 ¹ / ₂	X8344-6
160	X8345-15C	X8345-10C	2 ⁵ / ₈	4	3 ¹ / ₄	5 ⁵ / ₁₆	5 ¹¹ / ₁₆	4 ¹⁵ / ₁₆	X8345-3
225	X8346-13C	X8346-8C	3	4 ¹ / ₂	3 ¹ / ₂	3 ³ / ₈	6 ³ / ₁₆	5 ⁵ / ₁₆	X8346-3
325	X8347-13C	X8347-8C	4	6	4 ³ / ₄	7 ¹ / ₁₆	6 ¹⁵ / ₁₆	6 ¹ / ₁₆	X8347-3
500	X8348-10B	X8348-7B	5	7 ¹ / ₄	5 ⁵ / ₈	9 ¹ / ₁₆	8 ⁷ / ₈	6 ¹ / ₄	X8348-8

Dimensions:



Quik-Loc 600 volt receptacles for permissible enclosures

Short circuiting cap – used to jumper the pilot circuit in a disengaged connector when series wired control line to other equipment must be closed.

Certifications and compliances:

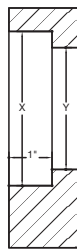
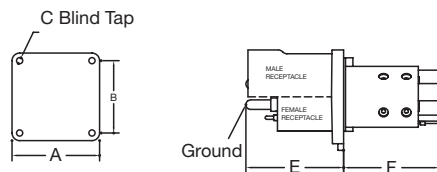
- 600 volt MSHA (Mine Safety Health Administration) approval for underground mining



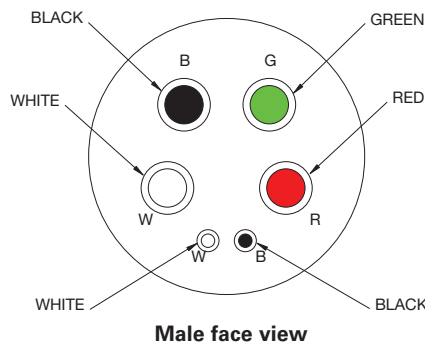
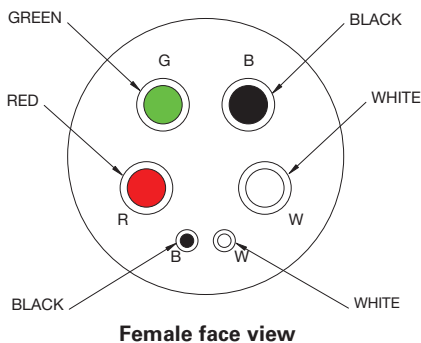
Ordering information:

Dimensions (approximate inches)										Cat. # Pilot short circuiting cap or female receptacle
Cat. # Male	Cat. # Female	A	B	C	D	E	X	Y		
For DC 2 power + 1 ground with pilot circuit contacts										
X8329-13C	X8329-8C	4 ¹ / ₈	2 ⁷ / ₈	1/2 - 13	5 ⁷ / ₁₆	4	2 ³ / ₄	2		X8329-3
X8330-14C	X8330-10C	4 ¹ / ₈	2 ⁷ / ₈	1/2 - 13	5 ⁷ / ₁₆	3 ³ / ₈	2 ³ / ₄	2		X8330-7
X8331-13C	X8331-9C	4 ¹ / ₂	3 ³ / ₄	1/2 - 13	4 ⁹ / ₁₆	4 ¹ / ₂	3	2 ² / ₁₆		X8331-6
X8332-14C	X8332-11C	4 ³ / ₄	3 ¹ / ₂	1/2 - 13	6 ¹ / ₁₆	4 ¹⁵ / ₁₆	3 ³ / ₈	2 ⁵ / ₈		X8332-9
X8333-14C	X8333-10C	5	3 ³ / ₄	1/2 - 13	5 ¹ / ₂	4 ¹³ / ₁₆	3 ³ / ₄	2 ¹⁵ / ₁₆		X8333-12
X8334-13C	X8334-8C	6	4 ⁷ / ₈	1/2 - 13	6 ⁷ / ₁₆	5 ¹³ / ₁₆	5 ¹ / ₈	3 ¹⁵ / ₁₆		X8334-5
For AC 3 power + 1 ground with pilot circuit contacts										
X8343-14C	X8343-10C	4 ¹ / ₈	2 ⁷ / ₈	1/2 - 13	5 ⁷ / ₁₆	4	2 ³ / ₄	2		X8343-7
X8344-12C	X8344-8C	4 ¹ / ₂	3 ³ / ₄	1/2 - 13	5 ⁷ / ₁₆	4 ¹ / ₂	3	2 ² / ₁₆		X8344-6
X8345-15C	X8345-10C	4 ³ / ₄	3 ¹ / ₂	1/2 - 13	5 ¹¹ / ₁₆	4 ³ / ₁₆	3 ³ / ₈	2 ⁷ / ₈		X8345-3
X8346-11C	X8346-6C	5	3 ³ / ₄	1/2 - 13	6 ³ / ₁₆	5 ¹ / ₁₆	3 ³ / ₄	2 ¹⁵ / ₁₆		X8346-3
X8347-11C	X8347-6C	6	3 ⁷ / ₈	1/2 - 13	6 ¹⁵ / ₁₆	6 ¹ / ₁₆	5 ¹ / ₈	3 ¹⁵ / ₁₆		X8347-3

Dimensions:



Enclosure Wall
1 - 1/4" Min.



Receptacles mate with the attachable plugs and are equipped with sleeve-type wiring terminals and molded neoprene wiring barriers. Bronze alloy mounting shells and molded neoprene inserts protect against almost any environment. Receptacles are available as dusttight and for permissible use.

Molded male and female inserts for receptacle assemblies allow use of dusttight and permissible mounting shell configurations.



Certifications and compliances:

- 600 volt MSHA (Mine Safety Health Administration) approval for underground mining

Ordering information:

Molded insert		Mounting shell			
		Dusttight		Permissible	
Cat. # Male	Cat. # Female	Cat. # For male	Cat. # For female	Cat. # For male	Cat. # For female
X8323-2	X8323-1	A324289	324088	-	-
X8324-3	X8324-4	A324289	324088	-	-
X8325-4	X8325-1	A324357	324063	-	-
X8326-5	X8326-4	A324232	324059	-	-
X8327-14	X8327-13	A324166	324094	-	-
X8329-4	X8329-5	A324289	324088	A324292	324300
X8330-5	X8330-6	A324289	324088	A324292	324300
X8331-5	X8331-3	A324357	324063	A324350	324353
X8332-7	X8332-5	A324119	324093	A324206	324198
X8333-6	X8333-5	A324232	324059	A324231	324238
X8334-3	X8334-4	A324166	324094	A324174	324170
X8335-11	X8335-10	324095	324065	-	-
X8336-4	X8336-1	A324289	324088	-	-
X8337-6	X8337-7	A324289	324088	-	-
X8338-4	X8338-1	A324357	324063	-	-
X8339-6	X8339-5	A324119	324093	-	-
X8344-16	X8344-15	A324357	324063	A324350	324353
X8345-2	X8345-1	A324119	324093	A324206	324198
X8346-16	X8346-15	A324232	324059	A324231	324238
X8347-16	X8347-15	A324166	324094	A324174	324170
X8348-4	X8348-5	324095	324065	-	-

11P

Quik-Loc 600 volt sleeves and grommets

Elastomeric molded sleeve and grommet design supports flexible field installation with multi-conductor cables.

Sleeve and grommet capability promote environmental protection with superior chemical resistance.

Ordering information:

Listed below are the sleeve and grommet catalog numbers which are supplied with each plug.

Cat. # Plug	Cat. # Sleeve	Cat. # Grommet #1	Cat. # Grommet #2	Cat. # Grommet #3	Cat. # Plug	Cat. # Sleeve	Cat. # Grommet #1	Cat. # Grommet #2	Cat. # Grommet #3
X8323	325298	313305-1	313305-2	313305-5	X8336	325298	313305-2	-	-
X8324	325298	313305-1	313305-2	313305-5	X8337	325298	313305-1	313305-2	-
X8325	325292	313327-1	313327-2	313327-7	X8338	325292	313327-1	313327-2	-
X8326	325245	K1326963	-	-	X8339	325286	324044-1	324044-2	-
X8327	325271	324089-1	324089-2	-	X8340	325245	K1326963	-	-
X8329	325298	313305-2	-	-	X8341	325271	313089-1	313089-2	-
X8330	325298	313305-1	313305-2	313305-5	X8343	325298	313305-1	-	-
X8331	325292	313327-2	313327-3	313327-6	X8344	325292	313327-2	313327-3	-
X8332	325286	324044-1	324044-2	324044-5	X8345	325286	324044-3	324044-4	-
X8333	325245	K1326963	-	-	X8346	325245	K1326963	-	-
X8334	325271	324089-1	324089-2	-	X8347	325271	324089-2	324089-3	-
X8335	325305	324024-4	324024-5	-	X8348	325305	324024-4	324024-5	-

For round cable: select grommet that adapts inside diameter of sleeve (supplied on plug) to outside diameter of cable being used.

Cat. # Sleeve	Fits cable (without grommet)		Extension range of "adapter grommets" for sleeves listed at left					
	From	To	Cat. # Grommet	Range	Cat. # Grommet	Range	Cat. # Grommet	Range
325298	1.500	1.250	313305-1	1.250	313305-2	1.000	313305-3	0.750
				1.000		0.750		0.562
325292	1.813	1.562	313327-1	1.562	313327-2	1.312	313327-3	1.062
				1.312		1.062		0.812
325286	2.000	1.812	324044-1	1.812	324044-2	1.625	324044-3	1.437
				1.625		1.437		1.250
325245	2.125	1.812	K1326963	1.812	K1326997	1.562	-	-
				1.562		1.375	-	
325271	2.937	2.625	324089-1	2.625	324089-2	2.312	324089-3	2.000
				2.312		2.000		1.812
325305	3.281	3.000	324024-4	3.000	324024-5	2.812	324024-6	2.625
				2.812		2.625		2.531

Cat. # Sleeve	Fits cable (without grommet)		Extension range of "adapter grommets" for sleeves listed at left			
	From	To	Cat. # Grommet	Range	Cat. # Grommet	Range
325298	1.500	1.250	-	-	-	-
325292	1.813	1.562	313327-4	0.812	-	-
				0.625	-	-
325286	2.000	1.812	324044-4	1.250	-	-
				1.062	-	-
325271	2.937	2.625	-	-	-	-
325305	3.281	3.000	324024-2	2.531	324024-3	2.312
				2.312		2.125

Quik-Loc 600 volt sleeves and grommets

Standard mining cable sizes require a wide range of sleeve and grommet diameters.

Sleeve and grommet capability promote environmental protection with superior chemical resistance.

Ordering information:

For twin W and twin G cable: select grommet that adapts inside diameter of sleeve (supplied on plug) to outside diameter of cable being used.

Wire size ^A	#8		#6		#4		#3		#2	
Cable dimensions	0.51 x 0.84	0.51 x 0.92	0.56 x 0.93	0.56 x 1.02	0.61 x 1.05	0.61 x 1.15	0.68 x 1.14	0.68 x 1.26	0.73 x 1.35	0.73 x 1.40
Cat. # Sleeve	Cat. # Grommets									
325298	313305-4						313305-5			
325292							313327-6			
325286										
325245										

Wire size ^A	#1		1/0		2/0		3/0		4/0	
Cable dimensions	0.81 x 1.40	0.81 x 1.55	0.93 x 1.51	0.93 x 1.67	0.99 x 1.63	0.99 x 1.85	1.03 x 1.77	1.03 x 2.00	1.10 x 1.89	1.10 x 2.10
Cat. # Sleeve	Cat. # Grommets									
325298										
325292					313327-6					
325286					324044-5					



11P

^AMajor and minor axis of twin W and twin G type cables.

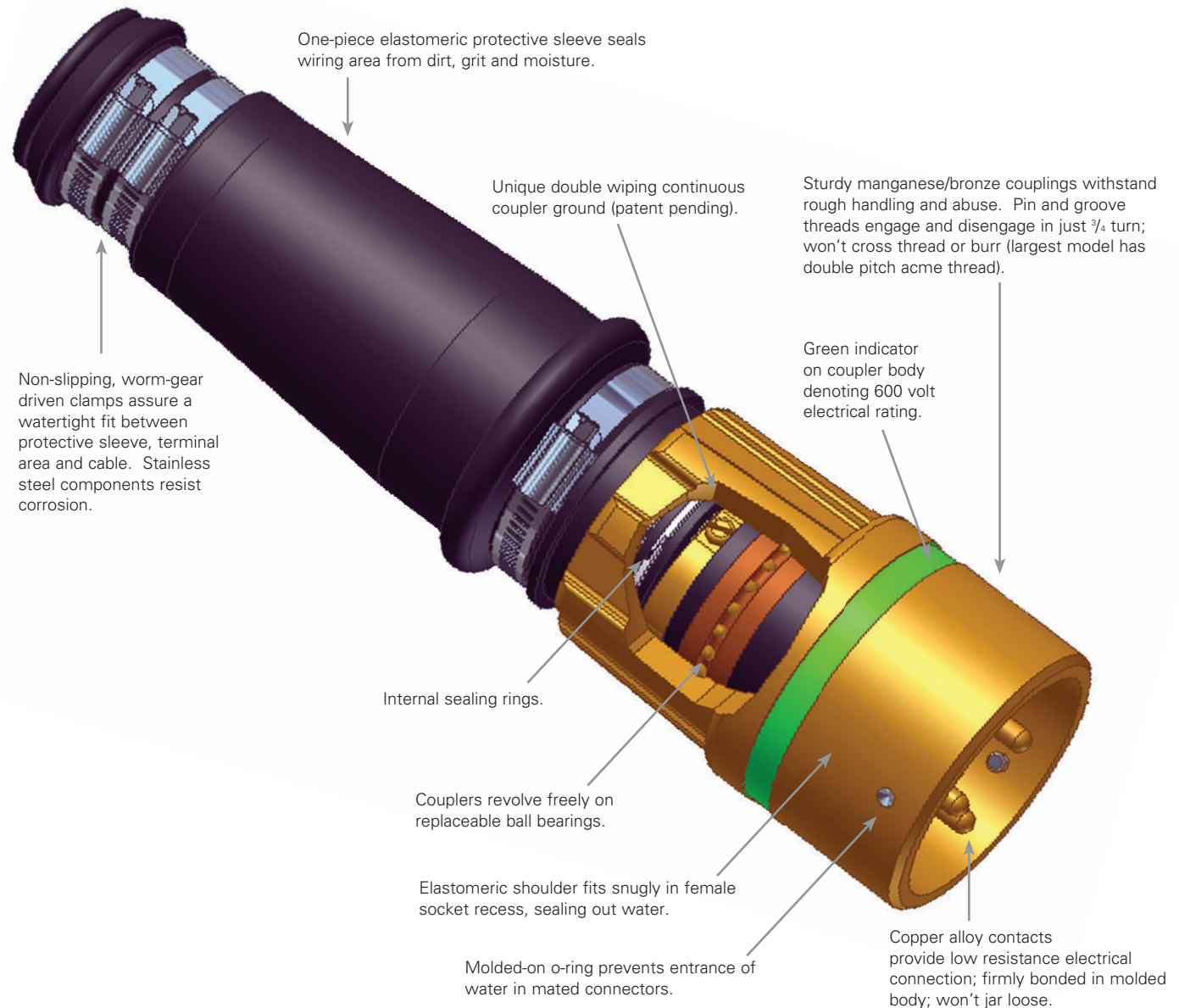
Applications:

- Drills
- Shuttle cars
- Conveyors
- Power distribution
- Slusher hoists
- Motors
- Heavy equipment
- Ship-to-shore power



Features:

- Grounded coupler – machined manganese bronze hardware connected to ground contact
- Copper alloy contacts – machined copper alloy D-shaped contacts provide additional set screw threads
- Field attachable – quick field assembly requires standard tools with color-coded wiring terminals indicating proper conductor locations; dual set screw design enhances connection
- Quick disconnect – couplers with “pin and groove” design support engagement and disengagement in just $\frac{3}{4}$ turn; couplers revolve freely on replaceable ball bearings
- Visual indicator – green coupler marker identifies 600 volt product rating
- Watertight – compression fit of neoprene components and cable hugging grommets provide a moisture-tight seal; positive water seal between mated connectors is provided by an o-ring type seal molded to the connector



Quik-Loc 600 volt G series grounded plugs

Quik-Loc "G" series is constructed with durable elastomeric compound, machined manganese bronze coupler and copper alloy contact design.

Heavy duty ground spring provides sturdy circuit-to-ground contact and coupler to ensure electrical safety.



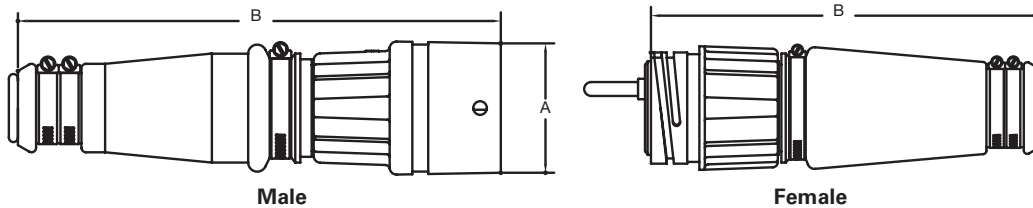
Certifications and compliances:

- CSA certified on File No. LR13963 for mining applications

Ordering information:

Max. single-pole conductor size (AWG)	600V connector amperage rating ^A	Dimensions (approximate inches)		Cat. # Male	Cat. # Female	Protective cap for plug receptacle	
		A	B			Cat. # For male	Cat. # For female
For AC 3 power + 1 ground without pilot circuit contacts							
2/0	225	4 ³ / ₁₆	14 ¹ / ₁₆	X8339-1G	X8339-2G	3325656-6	3325656-5
4/0	325	5	16 ¹ / ₂	X8340-5G	X8340-4G	3325656-8	3325656-7
For AC 3 power + 1 ground with pilot circuit contacts							
#8	75	4	13 ⁷ / ₁₆	X8343-5G	X8343-4G	3325656-2	3325656-1
#4	125	3 ⁷ / ₈	13	X8344-5G	X8344-4G	3325656-4	3325656-3
#2	160	4 ³ / ₁₆	14 ¹ / ₁₆	X8345-5G	X8345-6G	3325656-6	3325656-5
2/0	225	4 ⁵ / ₈	13 ¹⁵ / ₁₆	X8346-2G	X8646-1G	3325656-8	3325656-7
4/0	325	6 ⁷ / ₁₆	21 ¹⁵ / ₁₆	X8347-2G	X8347-1G	3325656-10	3325656-9
400 MCM	500	7 ⁷ / ₁₆	29 ⁷ / ₁₆	X8348-3G	X8348-2G	3325656-12	3325656-11

Dimensions:



Ordering information – set screw kits:

Cat. #	Description
K3318346	X8343 series long set screw kit
K3318347	X8344 series long set screw kit
K3318348	X8345 series long set screw kit
K3318349	X8346 series long set screw kit
K3318350	X8347 series long set screw kit

^AThis is the connector rating only. Operating rating must be based on cable capacity. Cable rating CANNOT exceed connector rating.

11P

Quik-Loc 600 volt "G" series grounded dusttight receptacles

Quik-Loc "G" series receptacle mates with attachable plug to ensure reliable electrical connection and environmental protection.

Certifications and compliances:

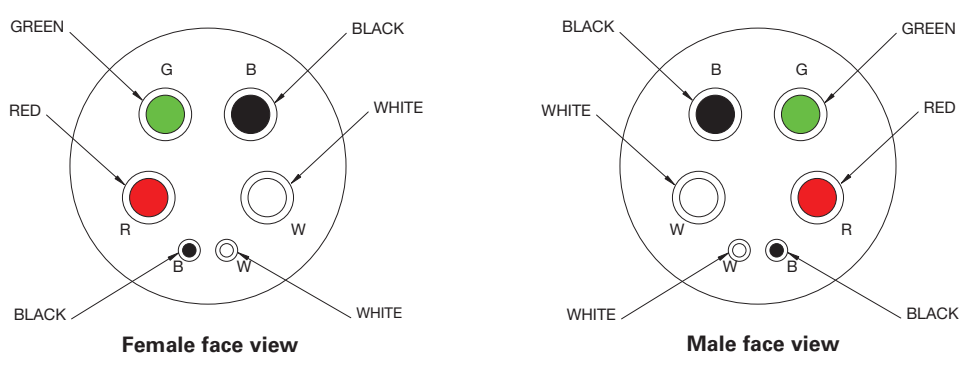
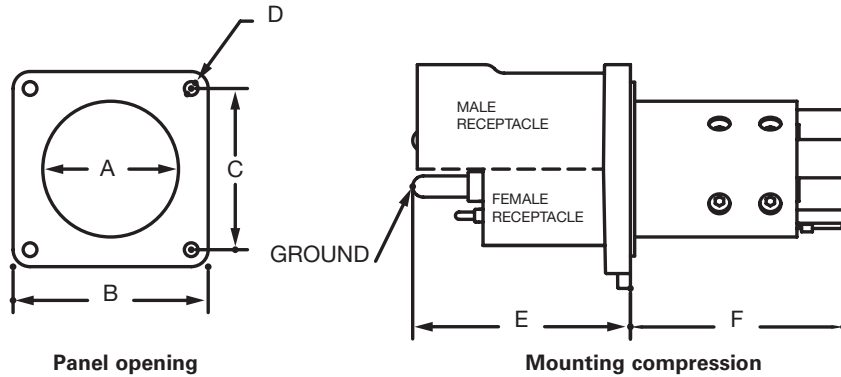
- CSA certified on File No. LR13963 for mining applications



Ordering information:

Receptacle amperage rating	Cat. # Male	Cat. # Female	Dimensions (approximate inches)						Cat. # Pilot short circuiting cap or female receptacle
			A	B	C	D	E	F	
For AC 3 power + 1 ground without pilot circuit contacts									
225	X8339-13C	X8339-3C	2 ⁵ / ₈	4	3 ¹ / ₄	5 ⁵ / ₁₆	6 ¹ / ₁₆	4 ¹⁵ / ₁₆	
325	X8340-2C	X8340-10C	3	4 ¹ / ₂	3 ¹ / ₂	3 ³ / ₈	6 ¹ / ₂	5 ⁵ / ₁₆	
For AC 3 power + 1 ground with pilot circuit contacts									
75	X8343-16C	X8343-12C	2	3 ³ / ₈	2 ³ / ₄	5 ⁵ / ₁₆	5 ⁵ / ₁₆	4	X8343-7
125	X8344-2C	X8344-1C	2 ⁵ / ₁₆	3 ³ / ₈	2 ¹ / ₈	5 ⁵ / ₁₆	5 ⁵ / ₁₆	4 ¹ / ₂	X8344-6
160	X8345-15C	X8345-10C	2 ⁷ / ₈	4	3 ¹ / ₄	5 ⁵ / ₁₆	5 ¹¹ / ₁₆	4 ¹⁵ / ₁₆	X8345-3
225	X8346-13C	X8346-8C	3	4 ¹ / ₂	3 ¹ / ₂	3 ³ / ₁₆	6 ¹ / ₁₆	5 ⁵ / ₁₆	X8346-3
325	X8347-13C	X8347-8C	4	6	4 ³ / ₄	7 ¹ / ₁₆	6 ¹⁵ / ₁₆	6 ¹ / ₁₆	X8347-3
500	X8348-10B	X8348-7B	5	7 ¹ / ₄	5 ⁵ / ₈	9 ¹ / ₁₆	8 ⁷ / ₈	6 ¹ / ₄	X8348-8

Dimensions:



11P

Applications:

- Designed for service under the most severe mining conditions
- Resilient elastomeric molded body, along with a uniquely grounded coupling, provide a tough, watertight, corrosion-resistant connection that is practically indestructible



Features:

- Corrosion-resistant – molded elastomeric components, manganese bronze couplings, stainless steel clamps and copper alloy contacts are unaffected by most chemicals and acids
- Field attachable – quick field assembly requires no special tools; color-labeled wiring terminals indicate proper conductor locations; set screws hold conductors in place; clamps secure protective sleeve over terminal area
- Quick disconnect – couplers with “pin and groove” design revolve on low friction ball bearings, permitting positive engagement or disengagement in just $\frac{3}{4}$ turn; sealing rings under coupler protect grounding mechanism and bearings from dirt and grime, making the coupler easier to rotate
- Safe – unique, positively grounded coupler and heavy elastomeric molded body and sleeve provide electrical protection; a reversed ground pin assures positive polarization
- Watertight – compression fit of elastomeric components and a cable hugging grommet provides a moisture-tight seal; a positive water seal between mated connectors is provided by an o-ring type seal molded to the connector face; a double seal is provided by elastomeric shoulders around each male contact, which fit like a cork within the female socket

Quik-Loc 1000 volt grounded connectors

11P



11P

Quik-Loc 1000 volt grounded plugs

11P

The 1000 volt Quik-Loc connector is constructed with durable elastomeric compound, machined manganese bronze coupler and copper alloy contact design.

Heavy duty ground spring provides sturdy circuit-to-ground contact and coupler to ensure electrical safety.

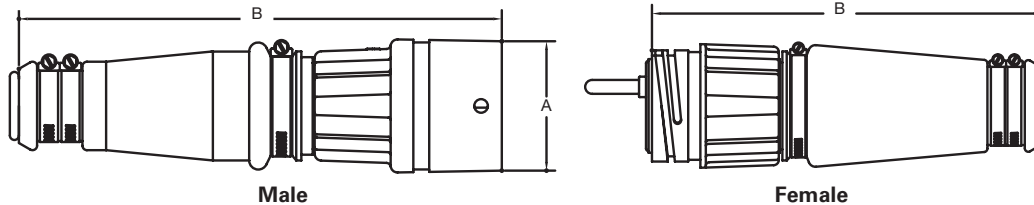
Manganese coupler thread with 165° design to prevent intermating with 600 volt product.



Ordering information:

Max. single-pole conductor size (AWG)	90°C 1000V connector amperage rating ^A	Dimensions (approximate inches)		Cat. # Male	Cat. # Female	Protective cap for plug or receptacle
		A	B			Cat. # For male
For AC 3 power + 1 ground without pilot circuit contacts						
#8	75	3 ⁹ / ₈	11 ¹³ / ₁₆	568024-1	568024-2	3325656-2
#4	125	3 ⁷ / ₈	13	568025-1	568025-2	3325656-4
#2	160	4 ⁷ / ₁₆	14 ¹ / ₁₆	568026-1	568026-2	3325656-6
2/0	225	4 ⁹ / ₈	13 ¹⁵ / ₁₆	568027-1	568027-2	3325656-8
4/0	325	6	19 ⁹ / ₁₆	568028-1	568028-2	3325656-10
500 MCM	500	7 ⁹ / ₁₆	23 ⁹ / ₁₆	568029-1	568029-2	3325656-11

Dimensions:



11P

^AThis is the connector rating only. Operating rating must be based on cable capacity. Cable rating CANNOT exceed connector rating.

Quik-Loc 1000 volt dusttight receptacles

The 1000 volt Quik-Loc receptacle mates with attachable plug to ensure reliable electrical connection and environmental protection.

Manganese receptacle shell thread design with 165° design to prevent intermate with 600 volt product.

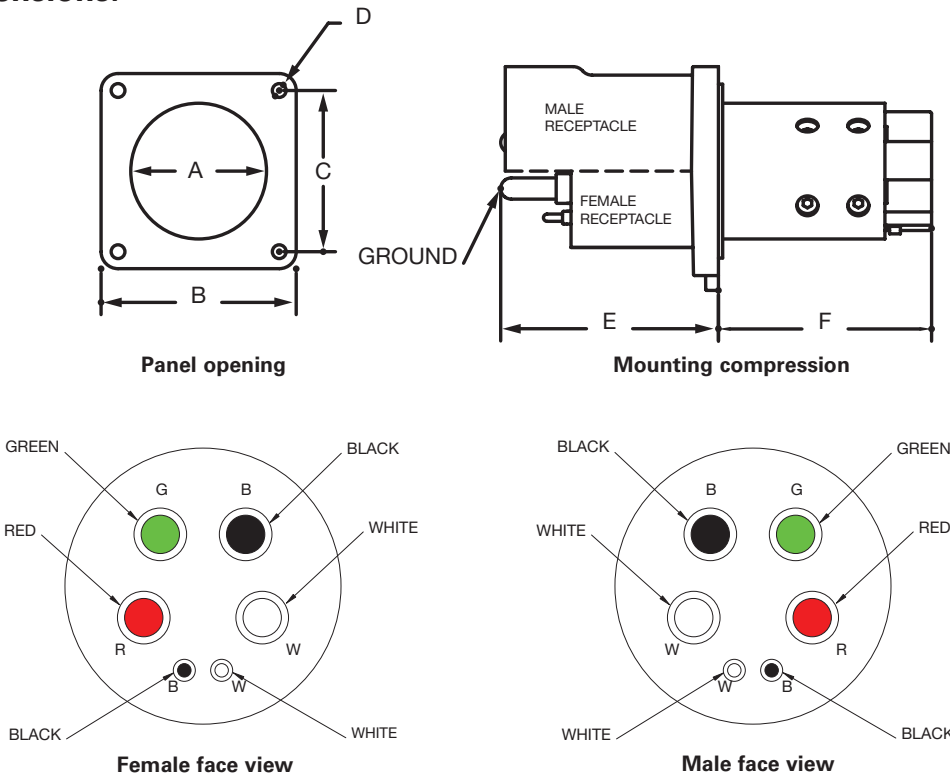


Ordering information:

Max. single-pole conductor size (AWG)	90°C 1000V connector amperage rating ^A	Dimensions (approximate inches)		Cat. # Male	Cat. # Female	Protective cap for plug or receptacle
		A	B			Cat. # For male
For AC 3 power + 1 ground with pilot circuit contacts						
#8	75	3 ⁵ / ₈	11 ¹³ / ₁₆	568024-3	568024-4	3326195
#4	125	3 ⁷ / ₈	13	568025-3	568025-4	3326196
#2	160	4 ⁷ / ₁₆	14 ⁷ / ₁₆	568026-3	568026-4	3326197
2/0	225	4 ⁹ / ₈	13 ¹⁵ / ₁₆	568027-3	568027-4	3326198
4/0	325	6	19 ⁹ / ₁₆	568028-3	568028-4	3326199
500 MCM	500	7 ⁵ / ₁₆	23 ⁹ / ₁₆	568029-3	568029-4	3325656-12

11P

Dimensions:

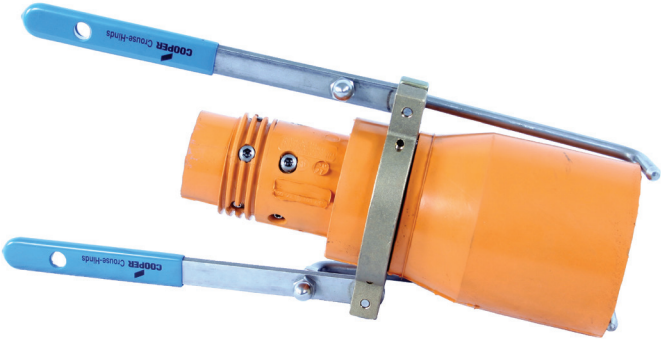


^AThis is the connector rating only. Operating rating must be based on cable capacity.

Quik-Loc "L" series lever action connectors

Features:

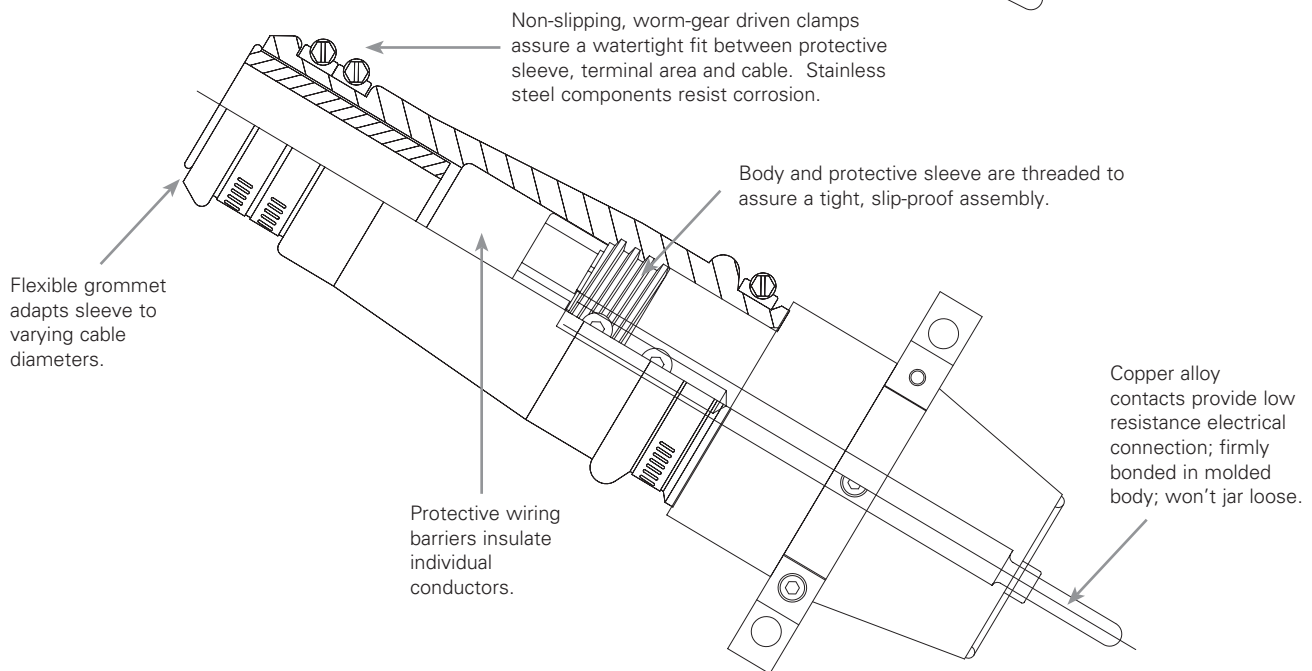
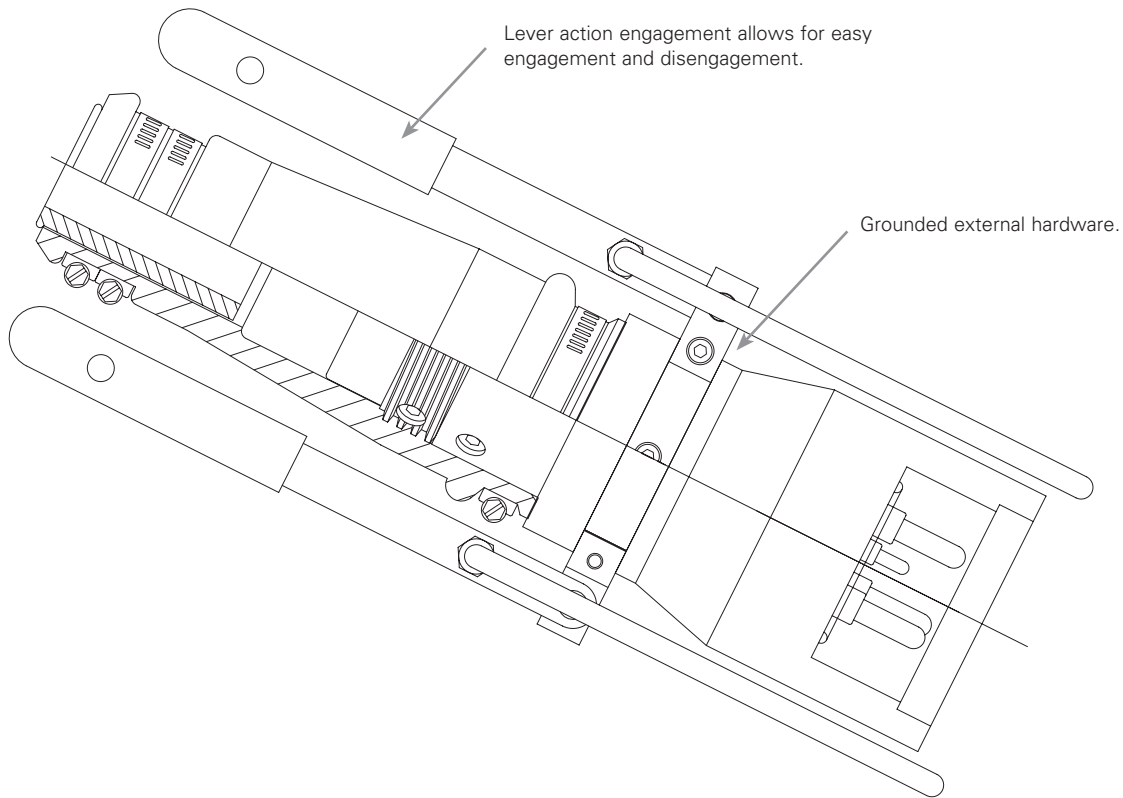
- Quick disconnect – lever action engagement allows for easy assembly and disassembly
- Safe – grounded brackets connected to ground contact support electrical safety of plug and receptacle
- Protected contacts – extended male shroud protects contacts while disengaged; recessed contacts prevent arcing and slip easy contact designs allow for maximum engagement while ensuring high conductivity
- Visual indicator – color-coded plugs allow for quick identification for ampacity rating
- Corrosion-resistant – stainless steel handles and levers resist corrosion
- Rugged – neoprene body is impact- and chemical-resistant and designed to support rugged, harsh environments
- Intermateable – fully intermateable with competitive lever style connectors



11P

Quik-Loc "L" series lever action connectors

11P

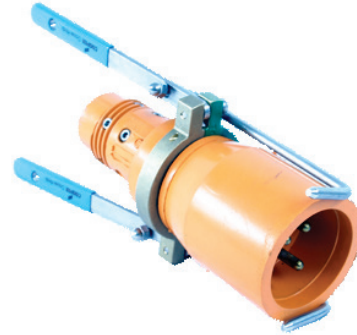


11P

Quik-Loc "L" series lever action plugs

The "L" series lever action connector is a one-piece neoprene molded body that provides rugged, durable and reliable service.

Color-coded male and female plugs support easy identification of circuit ampacity ratings.



Certifications and compliances:

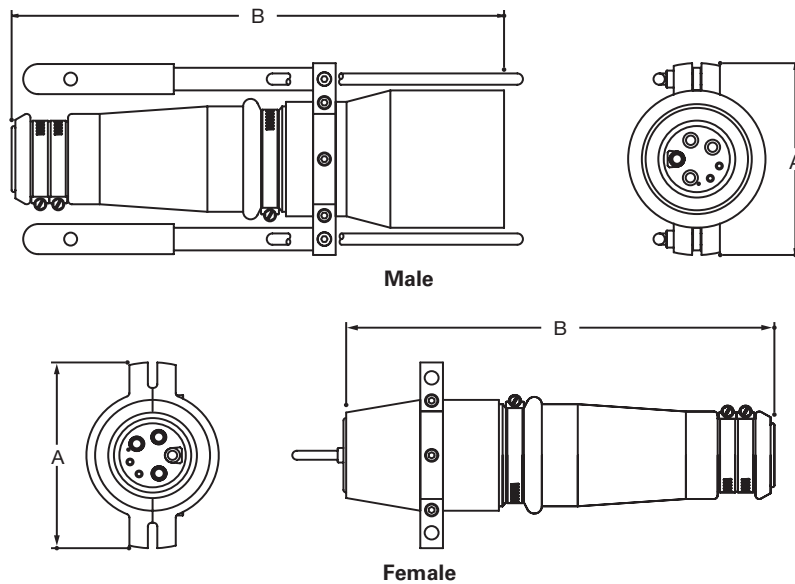
- CSA certified on File No. LR13963

Ordering information:

Max. single-pole conductor size (AWG)	600V connector amperage rating ^A	Dimensions (approximate inches)					Color	Cat. # Male	Cat. # Female	Protective caps	
		Male A	Male B	Female A	Female B	Cat. # For male				Cat. # For female	
#8	75	16 ³ / ₈	6 ³ / ₈	14 ⁷ / ₁₆	6 ⁷ / ₈	Blue	X8343-5L	X8343-4L	L-MAL-CAP-1	L-FEM-CAP-1	
#4	125	16 ³ / ₈	6 ³ / ₈	14 ⁷ / ₁₆	6 ⁷ / ₈	Red	X8344-5L	X8344-4L	L-MAL-CAP-1	L-FEM-CAP-1	
#2	160	16 ³ / ₈	6 ³ / ₈	14 ⁷ / ₁₆	6 ⁷ / ₈	Orange	X8345-5L	X8345-6L	L-MAL-CAP-1	L-FEM-CAP-1	
2/0	225	16 ³ / ₈	6 ³ / ₈	16 ⁷ / ₈	6 ⁷ / ₈	Black	X8346-2L	X8346-1L	L-MAL-CAP-1	L-FEM-CAP-2	
4/0	325	7 ⁵ / ₁₆	21 ¹⁵ / ₁₆	7 ⁵ / ₁₆	19 ³ / ₄	Black	X8347-2L	X8347-1L	N/A	N/A	

Note: Contact factory for 400 MCM option.

Dimensions:



Ordering information – set screw kits:

Cat. #	Description
K3318346	X8343 series long set screw kit
K3318347	X8344 series long set screw kit
K3318348	X8345 series long set screw kit
K3318349	X8346 series long set screw kit
K3318350	X8347 series long set screw kit

^AThis is the connector rating only. Operating rating must be based on cable capacity.

11P

Quik-Loc "L" series lever action receptacles

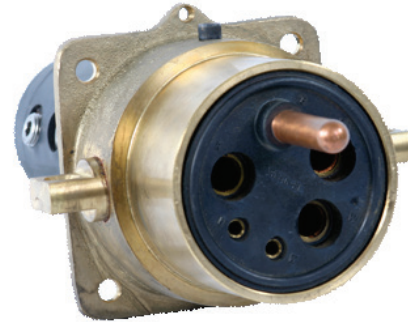
11P

The "L" series receptacle grounded shell, attached to the ground contact, ensures electrical safety.

The lever action receptacle shell provides easy assembly and disassembly with reduced effort.

Certifications and compliances:

- CSA certified on File No. LR13963



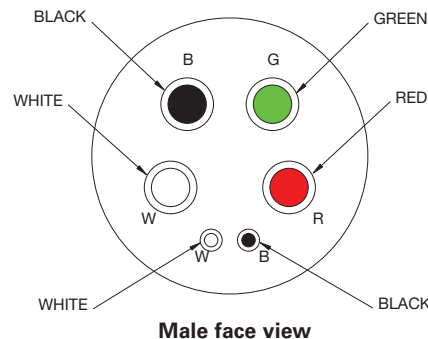
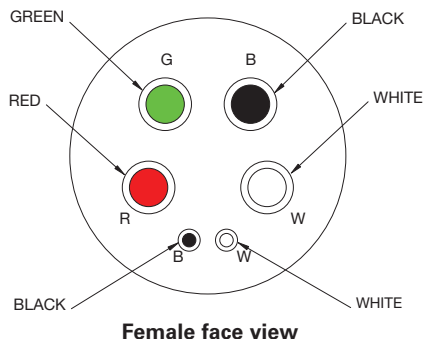
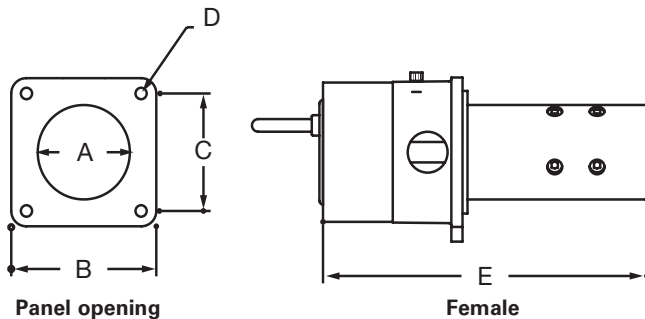
Ordering information – male:

Max. single-pole conductor size (AWG)	600V connector amperage rating ^A	Dimensions (approximate inches)					Color	Cat. #	Protective caps
		A	B	C	D	E			Cat. # For male
#8	75	2	3 ¹ / ₁₆	2 ³ / ₄	9 ⁹ / ₃₂	9 ⁹ / ₁₆	Blue	X8343-16L	N/A
#4	125	2 ⁵ / ₁₆	3 ⁵ / ₈	2 ⁷ / ₈	9 ⁹ / ₃₂	9 ⁵ / ₈	Red	X8344-2L	N/A
#2	160	2 ⁷ / ₈	4 ¹ / ₁₆	3 ³ / ₄	9 ⁹ / ₃₂	10 ¹ / ₂	Orange	X8345-15L	L-MAL-CAP-1
2/0	225	3	4 ¹ / ₂	3 ³ / ₂	11 ¹ / ₃₂	10 ⁷ / ₁₆	Black	X8346-13L	L-MAL-CAP-1
4/0	325	4	6 ³ / ₁₆	4 ³ / ₄	13 ¹³ / ₃₂	12 ¹ / ₁₆	Black	X8347-13L	N/A

Ordering information – female:

Max. single-pole conductor size (AWG)	600V connector amperage rating ^A	Dimensions (approximate inches)					Color	Cat. #	Protective caps
		A	B	C	D	E			Cat. # For female
#8	75	2	3 ¹¹ / ₁₆	2 ³ / ₄	9 ⁹ / ₃₂	7 ⁹ / ₁₆	Blue	X8343-12L	L-FEM-CAP-1
#4	125	2 ⁵ / ₁₆	3 ¹¹ / ₁₆	2 ⁷ / ₈	9 ⁹ / ₃₂	8 ⁷ / ₈	Red	X8344-1L	L-FEM-CAP-1
#2	160	2 ⁷ / ₈	3 ¹¹ / ₁₆	3 ³ / ₄	9 ⁹ / ₃₂	9 ⁹ / ₁₆	Orange	X8345-10L	L-FEM-CAP-1
2/0	225	3 ¹ / ₂	4 ⁹ / ₁₆	3	11 ¹ / ₃₂	8 ⁷ / ₈	Black	X8346-8L	L-FEM-CAP-2
4/0	325	4	6 ¹ / ₁₆	4 ³ / ₄	13 ¹³ / ₃₂	9 ¹⁵ / ₁₆	Black	X8347-8L	N/A

Dimensions:



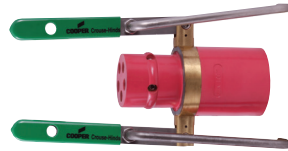
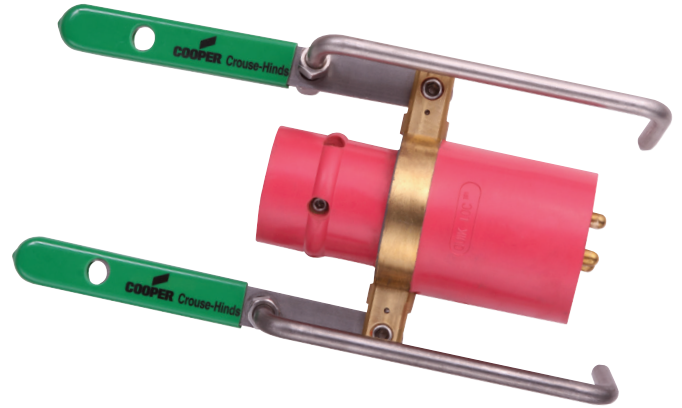
^AThis is the connector rating only. Operating rating must be based on cable capacity.

Quik-Loc "Mag" series lever action connectors

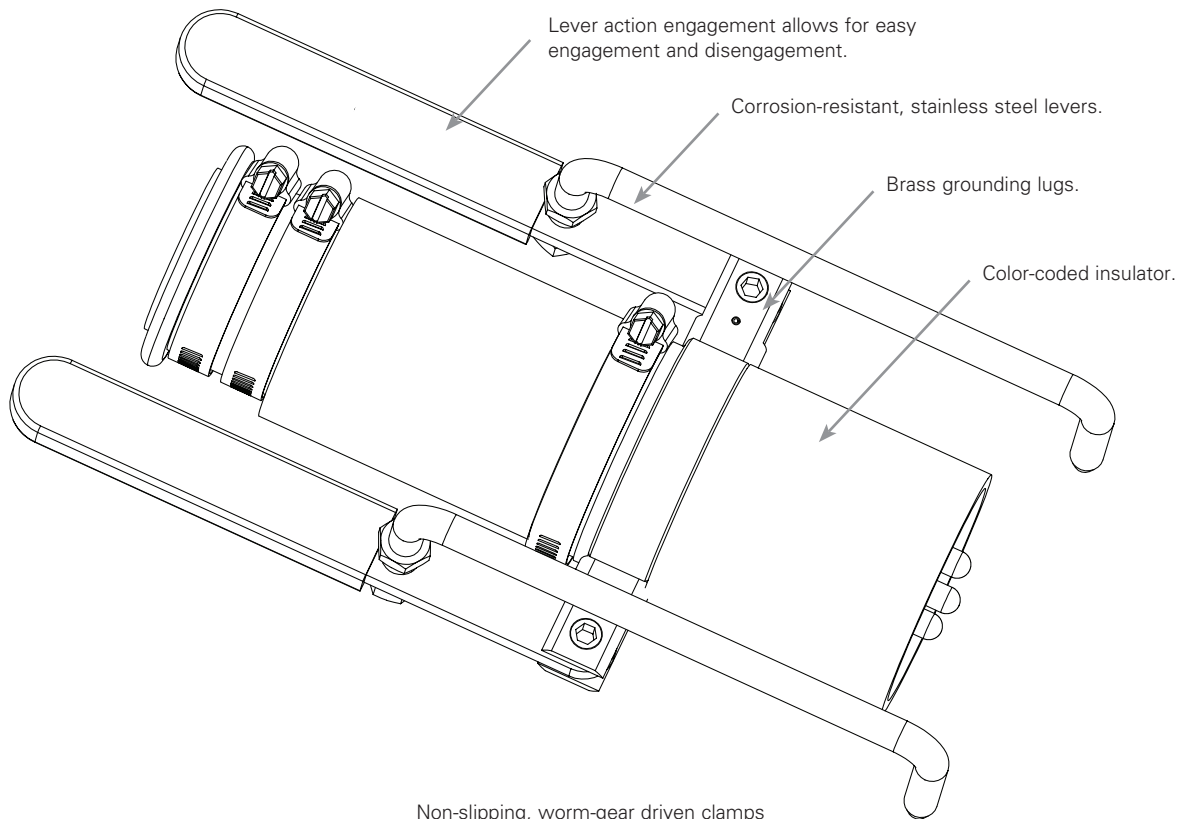
11P

Features:

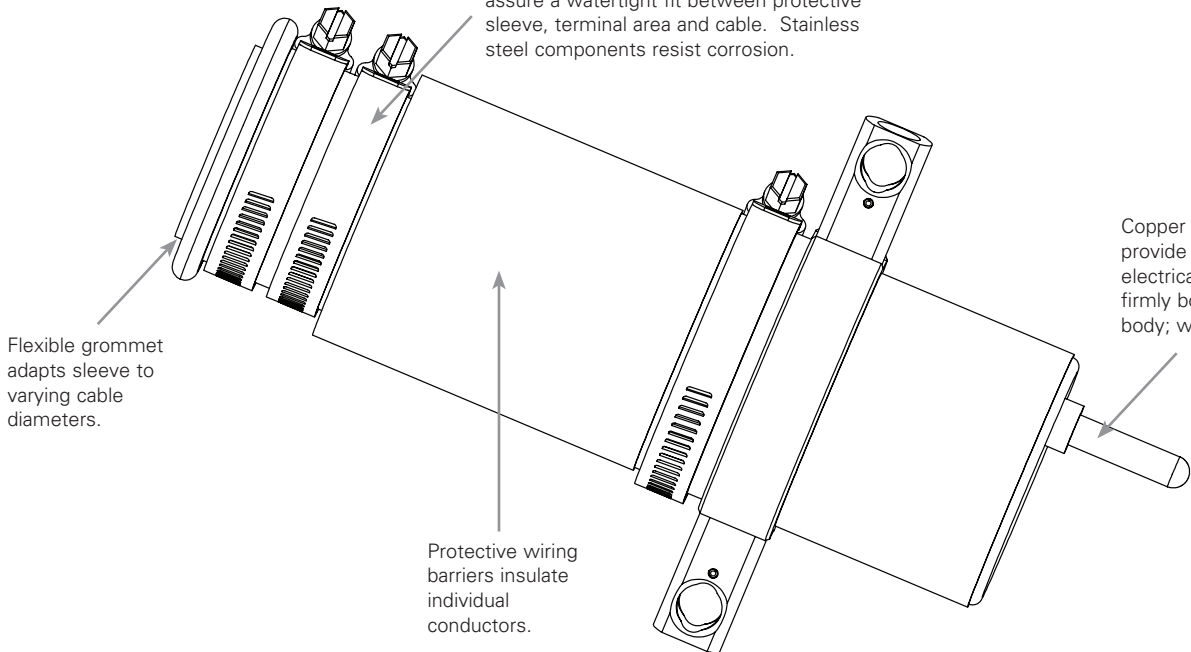
- Quick disconnect – lever action engagement allows for easy assembly and disassembly
- Safe – grounded brackets connected to ground contact support electrical safety of plug and receptacle
- Protected contacts – extended male shroud protects contacts while disengaged; recessed contacts prevent arcing and slip easy contact designs allow for maximum engagement while ensuring high conductivity
- Visual indicator – color-coded plugs allow for quick identification for ampacity rating
- Corrosion-resistant – stainless steel handles and levers resist corrosion
- Rugged – neoprene body is impact- and chemical-resistant and designed to support rugged, harsh environments
- Intermateable – fully intermateable with competitive lever style connectors



11P



Non-slipping, worm-gear driven clamps assure a watertight fit between protective sleeve, terminal area and cable. Stainless steel components resist corrosion.



Quik-Loc "Mag" series lever action plugs

The "Mag" series lever action connector is a one-piece neoprene molded body that provides rugged, durable and reliable service.

Color-coded male and female plugs support easy identification of circuit ampacity ratings.

Certifications and compliances:

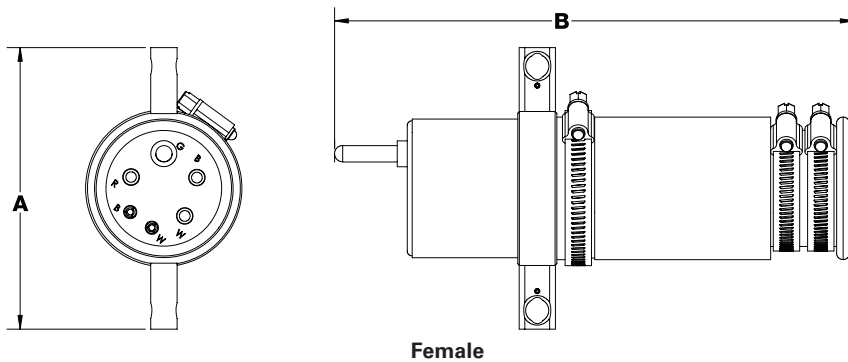
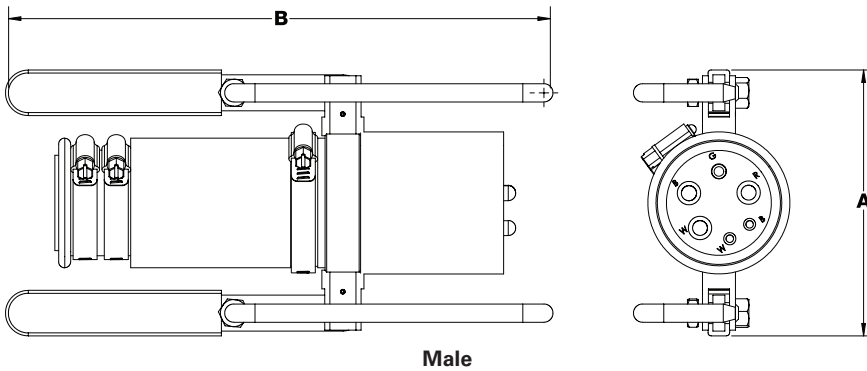
- CSA certified on File No. LR13963



Ordering information:

Max. single-pole conductor size (AWG)	600V connector amperage rating ^A	Dimensions (approximate inches)				Color	Cat. # Male	Cat. # Female
		Male A	Male B	Female A	Female B			
#8	30	5 ¹ / ₂	11 ⁵ / ₁₆	5 ⁵ / ₁₆	9 ¹¹ / ₁₆	Blue	CHMAG30MP	CHMAG30FP
#6	60	5 ¹ / ₂	11 ⁵ / ₁₆	5 ⁵ / ₁₆	9 ¹¹ / ₁₆	Red	CHMAG60MP	CHMAG60FP
#2	100	5 ¹ / ₂	11 ⁵ / ₁₆	5 ⁵ / ₁₆	9 ¹¹ / ₁₆	Black	CHMAG100MP	CHMAG100FP

Dimensions:



^AThis is the connector rating only. Operating rating must be based on cable capacity.

11P

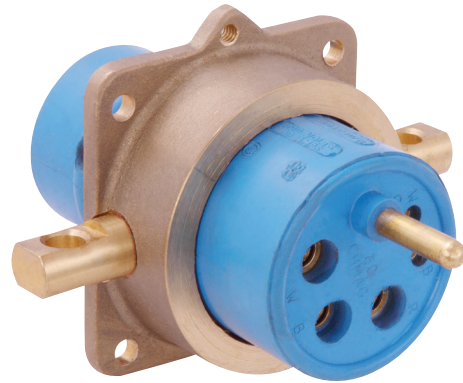
Quik-Loc "Mag" series lever action receptacles

The "Mag" series female receptacle grounded shell, attached to the ground contact, ensures electrical safety.

The lever action receptacle shell provides easy assembly and disassembly with reduced effort.

Certifications and compliances:

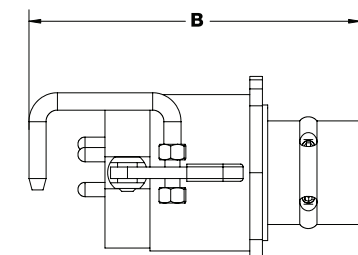
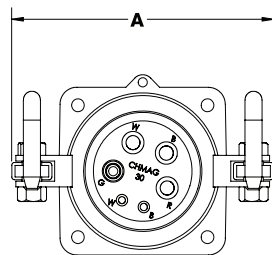
- CSA certified on File No. LR13963



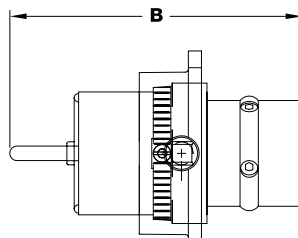
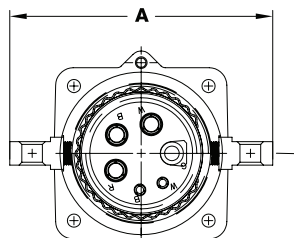
Ordering information:

Max. single-pole conductor size (AWG)	600V connector amperage rating ^A	Dimensions (approximate inches)				Color	Cat. # Male	Cat. # Female
		Male A	Male B	Female A	Female B			
#8	30	5 ³ / ₄	7 ³ / ₈	5 ⁵ / ₈	6 ¹ / ₄	Blue	CHMAG30MR	CHMAG30FR
#6	60	5 ³ / ₄	7 ³ / ₈	5 ⁵ / ₈	6 ¹ / ₄	Red	CHMAG60MR	CHMAG60FR
#2	100	5 ³ / ₄	7 ³ / ₈	5 ⁵ / ₈	6 ¹ / ₄	Black	CHMAG100MR	CHMAG100FR

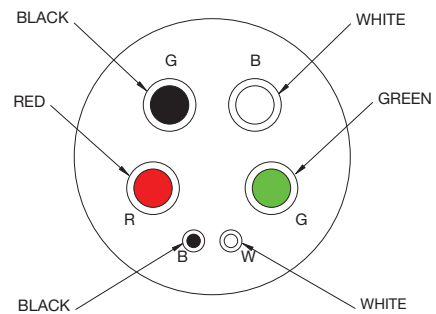
Dimensions:



Male

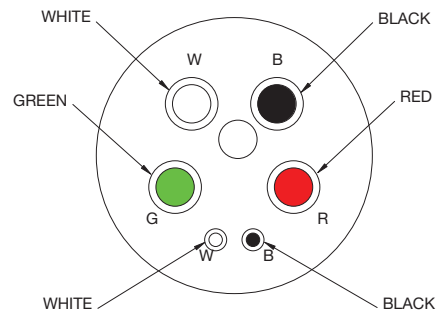


Female



Female face view, 30A rating

Note: 60A and 100A face views will differ from 30A to prevent intermating.



Male face view, 30A rating

^AThis is the connector rating only. Operating rating must be based on cable capacity.