

Pro

ProConnect-PS Weld/mw



FEATURES

- Unique single pin and sleeve design prevents accidental mating of non-marine rated devices.
- Available mating plug with integral threaded ring maintains a watertight seal.
- Neoprene gaskets resist petroleum.
- Plugs and receptacles are designed for up to a 2/0 or .473 diameter cable at 300 Amp max.
- 250v DC or 600v AC single or double receptacles.
- Cast marine brass construction.
- Impact resistant interior bodies with silver plated contacts.
- Captive threaded receptacle cap.
- Heavy duty mounting pads.
- Silicone lubricant provided for cover screws and flange.

APPLICATIONS

- Remote welding torch lead supply
- Marine and watertight requirements

APPROVALS

- Conforms to IP66
- ABS

TECHNICAL SPECIFICATIONS

BOX/COVER/CAPS

Cast marine brass.

PLUG BODY/RING

Cast marine brass.

PLUG/RECEPTACLE INTERIOR

6/6 nylon.

PLUG/RECEPTACLE CONTACT

Free machining brass, silver plated.

HARDWARE

Stainless steel.

GASKETS

One piece neoprene.

ENTRIES

6000B up to four 1" NPT outlets.
6583B up to four 2" NPT outlets.
Please state requirements on application.

MOUNTING

6000B surface, via two 1/4" bolts (not included).
6583B surface, via four 1/2" bolts (not included).

VOLTAGE AND CURRENT

250v DC, 300 Amp max
600v AC, 300 Amp max

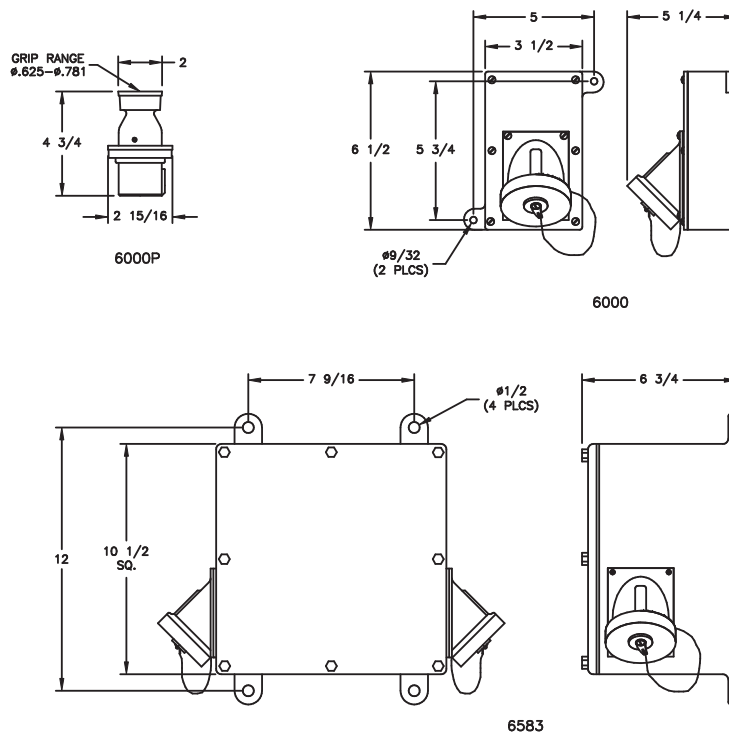
ORDERING REFERENCES

PART NUMBER	DESCRIPTION	WEIGHT LBS
6000B	Single Receptacle	7.5
6583B	Double Receptacle	44.0
6000BP	Plug	2.8

SPARE PARTS

Part No.	Description	Part No.	Description
GKT4005	ANGLE COVER GASKET, Single Receptacle	INX3048	INTERIOR, Plug
GKT4005	ANGLE COVER GASKET, Double Receptacle	GKT5057	BOX COVER GASKET, Single Receptacle
INX8014B	RECEPTACLE CAP WITH GASKET	GKT4003	BOX COVER GASKET, Double Receptacle
INX3047	INTERIOR, Receptacle	INX6565B	PLUG RING WITH GASKET

DIMENSIONS



Dimensions in inches