

## Applications:

- Wharfs and docking facilities
- Marine and watertight requirements
- Ship to shore power
- Dry dock temporary power usage

## Features:

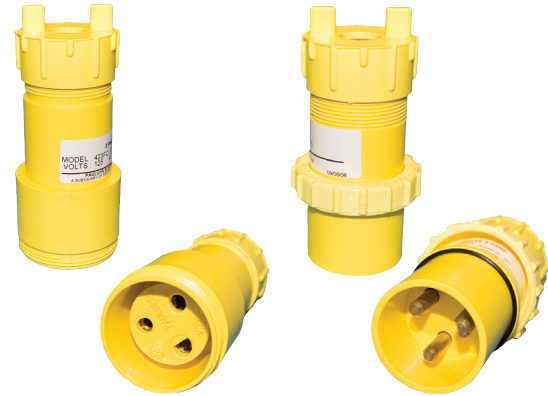
- Unique pin and sleeve design prevents accidental mating of non-marine rated devices
- Voltage-specific keyed ground pin assures proper mating
- Non-metallic plugs with integral threaded ring maintain a watertight seal
- Engineered plastic version of the Pauluhn™ brass 420 series
- Compatible with Pauluhn 20 ampere pin and sleeve devices
- Plugs, female connectors and sets of each are available

## Certifications and compliances:

- Conforms to IP66
- ABS

## Standard materials:

- Body, cap and ring – Acrylonitrile Butadiene Styrene/polycarbonate blend (ABS+PC)
- Pins and sleeves – free machining brass
- Cord grip grommet – one-piece neoprene



## Technical specifications:

- **Cable ranges:**
  - 2-pole, 3-wire: 0.437 - 0.312
  - 3-pole, 4-wire: 0.563 - 0.437
- **Voltage and current ratings:**
  - 125 VAC, 20 amperes maximum
  - 208 VAC, 20 amperes maximum
  - 250 VAC, 20 amperes maximum
  - 277 VAC, 20 amperes maximum
  - 480 VAC, 20 amperes maximum
  - 600 VAC, 20 amperes maximum

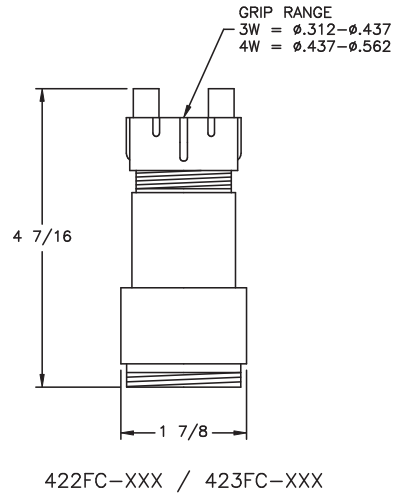
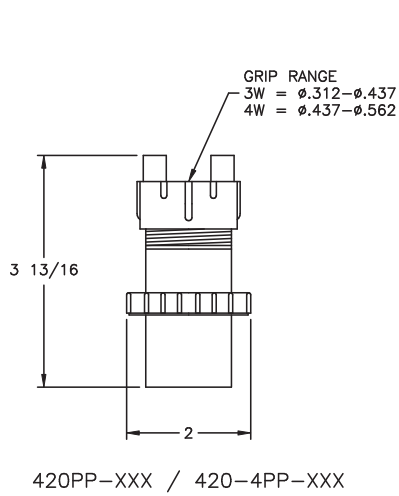
## Options:

- | Description                     | Suffix |
|---------------------------------|--------|
| • Reverse service.....          | RS     |
| <i>Available with plug only</i> |        |

## Ordering information:

Description	Cat. # 125V	Cat. # 208V	Cat. # 250V	Cat. # 277V	Cat. # 480V	Cat. # 600V	Weight (lbs.)
2P, 3W plug	420PP-125	N/A	420PP-250	420PP-277	420PP-480	N/A	0.3
2P, 3W female connector	422FC-125	N/A	422FC-250	422FC-277	422FC-480	N/A	0.3
2P, 3W plug and connector	426PC-125	N/A	426PC-250	426PC-277	426PC-480	N/A	0.6
3P, 4W plug	420-4PP-125	420-4PP-208	420-4PP-250	N/A	420-4PP-480	420-4PP-600	0.3
3P, 4W female connector	423FC-125	423FC-208	423FC-250	N/A	423FC-480	423FC-600	0.3
3P, 4W plug and connector	426-4PC-125	426-4PC-208	426-4PC-250	N/A	426-4PC-480	426-4PC-600	0.6

## Dimensions (in inches):



12P