

Pro

ProConnect-PS 246/247/mw



FEATURES

- Unique pin and sleeve design prevents accidental mating of non-marine rated devices.
- Available mating plug with integral threaded ring maintains a watertight seal.
- Neoprene gaskets resist petroleum.
- Interlocking design of the receptacle prevents insertion or removal of the plug while the unit is energized.
- Internal industrial breaker provides thermal overload and short circuit protection.
- Full load circuit interruption for added safety.
- Corrosion resistant cast marine brass construction.
- Captive threaded receptacle cap.
- Heavy duty mounting pads.
- Silicone lubricant provided for cover screws and flange.
- External control handle has provision for padlocking in the OFF position.
- Available from 15 to 30 Amp.
- 2P3W or 3P4W units available.

APPLICATIONS

- Wharfs and docking facilities
- Marine and watertight requirements
- Ship to shore power
- Dry dock temporary power usage

APPROVALS

- Conforms to IP66
- ABS

TECHNICAL SPECIFICATIONS

BOX/COVER/HANDLE/CAP

Cast marine brass.

PLUG BODY/RING

Cast marine brass.

HARDWARE

Stainless steel.

GASKETS

One piece neoprene.

RECEPTACLE/PLUG INTERIOR

Acrylonitrile Butadiene Styrene (ABS).

PIN AND SLEEVE

Free machining brass.

ENTRIES

Standard units undrilled. Up to four 1½" NPT outlets available. See ENTRY OPTIONS for selections.

VOLTAGE AND CURRENT

RECEPTACLES

125v AC, 30 Amp max
250v AC, 30 Amp max
277v AC, 30 Amp max
380v AC, 30 Amp max
480v AC, 30 Amp max

VOLTAGE AND CURRENT

BREAKER

480v AC, 15 Amp max
480v AC, 20 Amp max
480v AC, 30 Amp max

MOUNTING

Surface, via four ⅜" mounting bolts (not included).

ORDERING REFERENCES

PART NUMBER	DESCRIPTION	WEIGHT LBS
2P3W BRASS	2 POLE BREAKER	
2460B-125	15 Amp Breaker	31.5
2462B-125	20 Amp Breaker	31.5
2464B-125	30 Amp Breaker	31.5
430BP-125	Plug, 30 Amp	2.8
3P4W BRASS	3 POLE BREAKER	
2470B-125	15 Amp Breaker	31.5
2472B-125	20 Amp Breaker	31.5
2474B-125	30 Amp Breaker	31.5
431BP-125	Plug, 30 Amp	2.8

SPECIAL OPTIONS

-250* - 250v AC
 -277* - 277v AC
 -380* - 380v AC
 -480* - 480v AC

*Replace -125 in part number.

Note: Changing the suffix changes the voltage rating of the receptacle.
 The circuit breaker is dependent upon model selection.

ENTRY OPTIONS

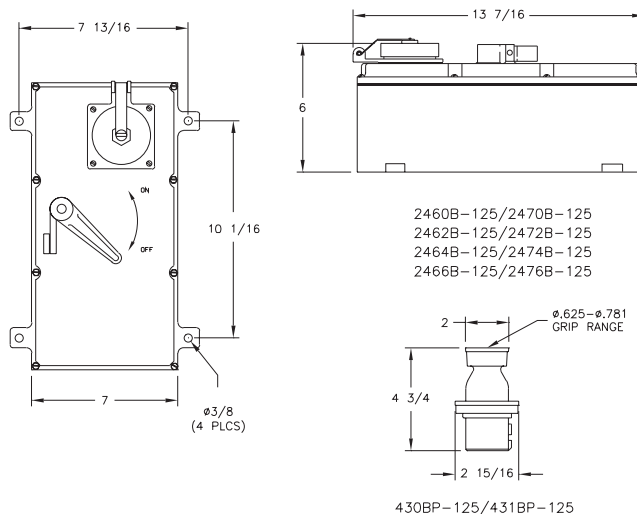
NPT Trade Size	Dead End	Thru Feed	X-Positions
1/2"	E1	C1	X1
3/4"	E2	C2	X2
1"	E3	C3	X3
1 1/2"	E5	C5	X5

*Entries on short side of casting.

SPARE PARTS

Part No.	Description
INX3086	2 POLE BREAKER, 15 Amp
INX3087	2 POLE BREAKER, 20 Amp
INX3088	2 POLE BREAKER, 30 Amp
INX3093	3 POLE BREAKER, 15 Amp
INX3094	3 POLE BREAKER, 20 Amp
INX3095	3 POLE BREAKER, 30 Amp
INX6041B	BOX
INX6650B	COVER WITH HANDLE
GKT5005	BOX COVER GASKET
INX8030B	CAP WITH GASKET
INX3073	2P3W INTERIOR, Plug
INX3043	2P3W INTERIOR, Receptacle
INX3074	3P4W INTERIOR, Plug
INX3057	3P4W INTERIOR, Receptacle

DIMENSIONS



Dimensions in inches