

Posi-Lok™ Distribution Panels use lightweight, single conductor cables to provide the means for hurried personnel to quickly and safely connect and disconnect power systems without having to use any tools.

Applications:

- Posi-Lok™ Power Distribution Panels utilize single conductor cable that can be used to full amperage capability without the need to derate like multi-conductor solutions
- Ideal for disaster relief, temporary power, stand-by emergency power, and power distribution applications

Certifications and Compliances:

- UL Listed: E67181
- CSA certified: LR13963-48

Environmental Rating:

- NEMA 3

Features:

1 Safe, sequential interlock ensures ground mates first and breaks last

2 Limit switch capabilities

3 Reliable Posi-Lok, Cross-Phase Protection System ensures phase integrity

4 UL Listed and CSA certified

5 Lockout/tagout compatible for safety and security

6 Quick and easy installation - panels can be mounted into a standard 19 inch rack

7 Shatter-resistant insulators and polarizing shells provide long-lasting, durable connectors

8 Double set screw termination for added strength and quick installation (crimp also available)

9 Plugs are uniquely keyed and color-coded to eliminate cross-phasing

Cut-away view of E0400 male plug

CONNECT SEQUENCE: DISCONNECT SEQUENCE: START LEFT TO RIGHT RIGHT TO LEFT NOT FOR INTERRUPTING CURRENT IN NO BREAKER FOUR COOPER ILL COUPLER

GROUND NEUTRAL BLACK RED BLUE

LA GRANGE, NC

UL LISTED E67181

CAUTION READ INSTRUCTIONS BEFORE USE

LOCKED OUT DO NOT REMOVE

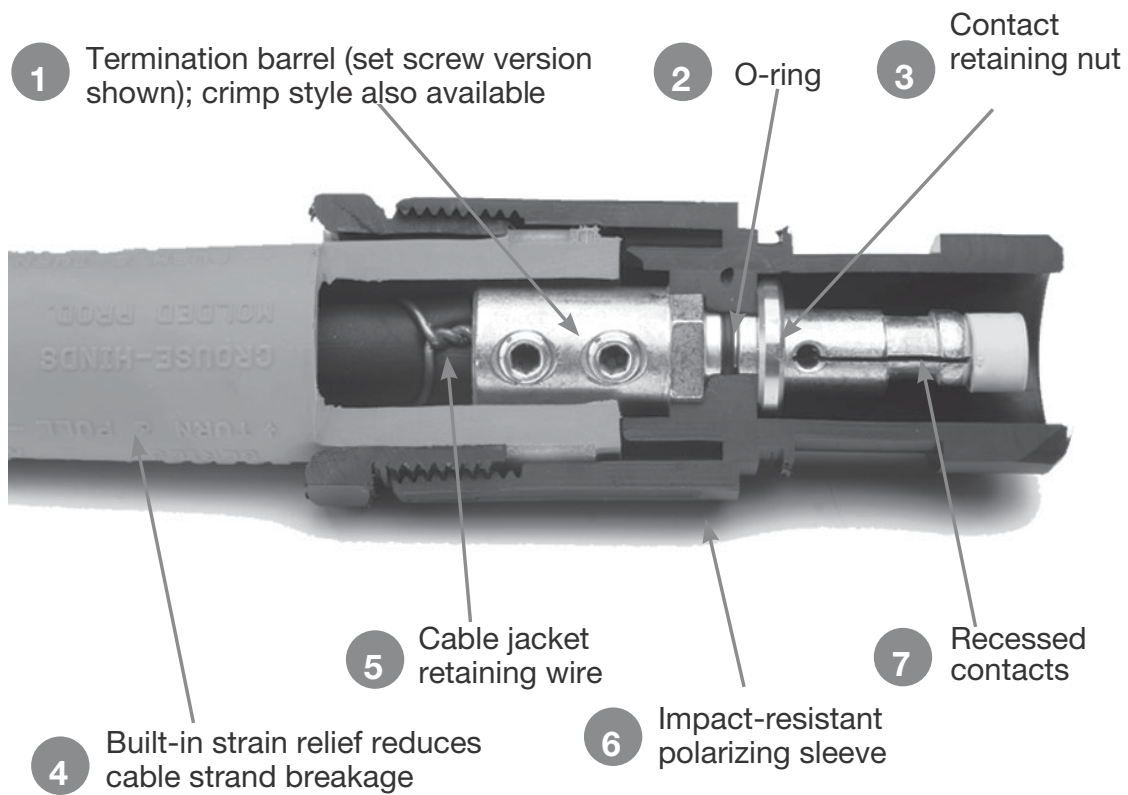
11P Posi-Lok™ Connectors

Now there's no need to haul around huge, multi-conductor cables. Posi-Lok™ Power Distribution Systems let you use lighter, single conductor cables rated at higher amperages.

Posi-Lok™ Plugs feature recessed electrical contacts that are protected by shatter-resistant insulators and impact-resistant molded sleeves.

More than 25 years of field testing has proven that the unique elastomeric tapered insulator allows maximum flexing with minimum breakage. There are no metal clamps or grommets to cause cable failure.

The same plugs that connect to panels also connect to each other so that you can use long runs of cable. Polarity is assured because each plug is uniquely keyed and color-coded for easy, positive connecting.



Cut-away view of E0200 male plug

Posi-Lok™ Plugs and Panels

E0200 Series

11P

Cable Size #2 AWG - 2 / 0
600V AC/DC
Up to 200A Continuous

Posi-Lok™ E0200 Series Female Panels and Male Plugs

Features:

- Designed to meet Article 520-53 Section K and Article 530-22 Section A (NEC) standards
- Sequential interlock system requires the user to connect and disconnect each plug in sequence
- Polarized plugs and panels eliminate the possibility of cross-phasing
- Built-in strain relief reduces cable strain
- Proven Cam-Lok™ double cam principle provides a positive, vibration-proof connection
- No moving contact surfaces, eliminating arcing or burning of contacts
- Recessed contacts protected by insulating jacket that extends beyond contact ends for safety

Testing and Code Compliance:

- Listed to UL498, File No. E67181
- CSA certified to C22.2 No. 182.3-M1987, File No. LR13963

Material Characteristics:

- Insulator - TPE
- Polarizing shell - thermoplastic
- Temperature rating: -40°C to 105°C

Ordering Information - Female Panels:

Receptacles Per Panel	Cat. #	Cover Color Code
3	E0200-1685	GR, WH, BK
4	E0200-1686-NN	GR, BK, RD, BU
4	E0200-1696	GR, WH, BK, RD
4	E0200-1892-NN	GR, BRN, ORG, YEL
5	E0200-1687	GR, WH, BK, RD, BU
5	E0200-1890	GR, WH, BRN, ORG, YEL
6	E0200-1885	GR, WH, WH, BK, RD, BU

GR = Green; WH = White; BK = Black; RD = Red; BU = Blue; BRN = Brown;
 ORG = Orange; YEL = Yellow; NN = Panel without Neutral
 Add "LS" suffix to end of catalog number to order panels with a limit switch. Available on last position only. Example: E0200-1687LS. Limit switch ratings are 5A, 250 VAC.
Plugs must be ordered separately.

Ordering Information - Male Plugs:

Termination	Position	Complete Cat. #	Contact Only Cat. #	Insulator Polarizing Shell Cat. #
Crimp	Green	E0200-141	A201293-5	A201315-3
	White	E0200-142	A201293-5	A201315-2
	Black	E0200-143	A201293-5	A201315-1
	Red	E0200-144	A201293-5	A201315-5
	Blue	E0200-145	A201293-5	A201315-4
	Brown	E0200-147	A201293-5	A201315-9
	Orange	E0200-148	A201293-5	A201315-10
Double Set Screw	Yellow	E0200-149	A201293-5	A201315-8
	Green	E0200-181	A201293-1	A201315-3
	White	E0200-182	A201293-1	A201315-2
	Black	E0200-183	A201293-1	A201315-1
	Red	E0200-184	A201293-1	A201315-5
	Blue	E0200-185	A201293-1	A201315-4
	Brown	E0200-199	A201293-1	A201315-9
	Orange	E0200-195	A201293-1	A201315-10
Yellow	E0200-192	A201293-1	A201315-8	



Male plug assembled length is 8-3/4"

11P Posi-Lok™ Plugs and Panels

E0200 Series

Cable Size #2 AWG - 2 / 0
600V AC/DC
Up to 200A Continuous

Posi-Lok™ E0200 Series Male Panels and Female Plugs

Features:

- Designed to meet Article 520-53 Section K and Article 530-22 Section A (NEC) standards
- Sequential interlock system requires the user to connect and disconnect each plug in sequence
- Polarized plugs and panels eliminate the possibility of cross-phasing
- Built-in strain relief reduces cable strain
- Proven Cam-Lok™ double cam principle provides a positive, vibration-proof connection
- No moving contact surfaces, eliminating arcing or burning of contacts
- Recessed contacts protected by insulating jacket that extends beyond contact ends for safety

Testing and Code Compliance:

- Listed to UL498, File No. E67181
- CSA certified to C22.2 No. 182.3-M1987, File No. LR13963

Material Characteristics:

- Insulator - TPE
- Polarizing shell - thermoplastic
- Temperature rating: -40°C to 105°C

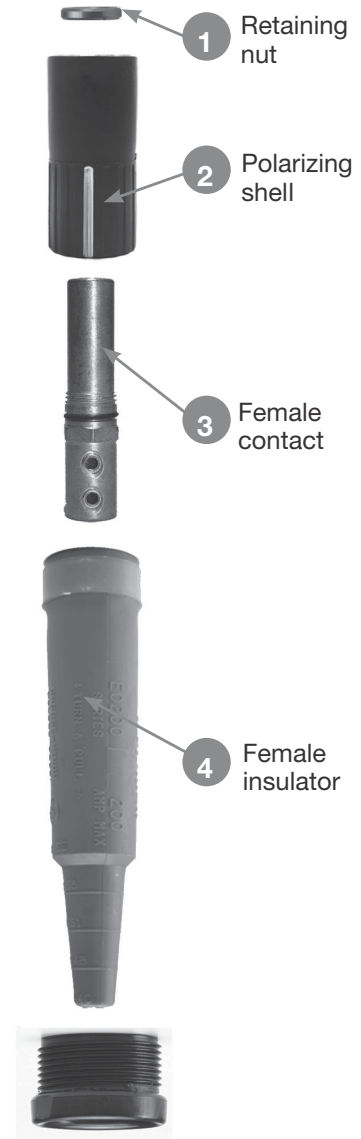
Ordering Information - Male Panels:

Receptacles Per Panel	Cat. #	Cover Color Code
3	E0200-1660	GR, WH, BK
4	E0200-1661-NN	GR, BK, RD, BU
4	E0200-1672	GR, WH, BK, RD
4	E0200-1893-NN	GR, BRN, ORG, YEL
5	E0200-1662	GR, WH, BK, RD, BU
5	E0200-1891	GR, WH, BRN, ORG, YEL
6	E0200-1860	GR, WH, WH, BK, RD, BU

GR = Green; WH = White; BK = Black; RD = Red; BU = Blue; BRN = Brown; ORG = Orange; YEL = Yellow; NN = Panel without Neutral
Add "LS" suffix to end of catalog number to order panels with a limit switch. Available on last position only. Example: E0200-1662LS. Limit switch ratings are 5A, 250 VAC.
Plugs must be ordered separately.

Ordering Information - Female Plugs:

Termination	Position	Complete Cat. #	Contact Only Cat. #	Insulator Polarizing Shell Cat. #
Crimp	Green	E0200-241	A201292-5	A201315-27
	White	E0200-242	A201292-5	A201315-26
	Black	E0200-243	A201292-5	A201315-25
	Red	E0200-244	A201292-5	A201315-29
	Blue	E0200-245	A201292-5	A201315-28
	Brown	E0200-247	A201292-5	A201315-33
	Orange	E0200-248	A201292-5	A201315-34
	Yellow	E0200-249	A201292-5	A201315-32
	Double Set Screw	Green	E0200-281	A201292-1
White		E0200-282	A201292-1	A201315-26
Black		E0200-283	A201292-1	A201315-25
Red		E0200-284	A201292-1	A201315-29
Blue		E0200-285	A201292-1	A201315-28
Brown		E0200-288	A201292-1	A201315-33
Orange		E0200-289	A201292-1	A201315-34
Yellow		E0200-286	A201292-1	A201315-32



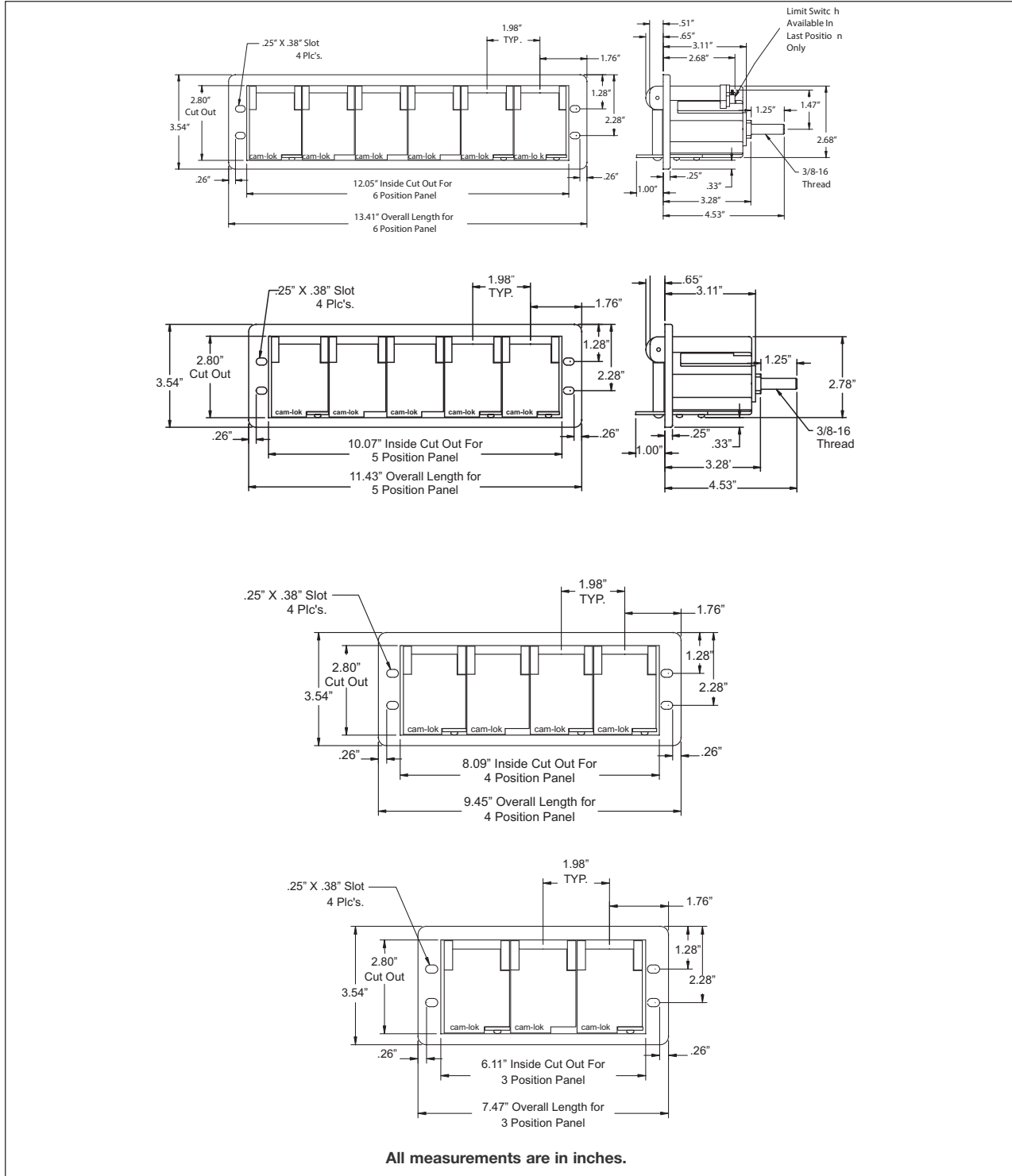
Female plug assembled length is 8-3/4"

Posi-Lok™ Plugs and Panels E0200 Series

11P

Cable Size #2 AWG - 2 / 0
600V AC/DC
Up to 200A Continuous

Dimensions:



11P

11P Posi-Lok™ Plugs and Panels

E0200 Series

Cable Size #2 AWG - 2 / 0
600V AC/DC
Up to 200A Continuous

Posi-Lok™ Plugs and Panels

- Ampacity is based on cable size or continuous rating, whichever is less
- Panel does not include enclosure or breakers; Posi-Lok™ system must be installed per local and national standards
- Panel receptacles have lock washers, flat washers, and jam nuts included
- Plugs and panels have silver-plated copper contacts

Posi-Lok™ E0200 Ratings:

Cable Size	Amperage Rating	Voltage Rating
#2 AWG	190 Amps	600 VAC
#1 AWG	200 Amps	600 VAC
1 / 0	200 Amps	600 VAC
2 / 0	200 Amps	600 VAC

Posi-Lok™ E0400 Ratings:

Cable Size	Amperage Rating	Voltage Rating
#2 AWG	190 Amps	600 VAC
#1 AWG	220 Amps	600 VAC
1 / 0	260 Amps	600 VAC
2 / 0	300 Amps	600 VAC
3 / 0	350 Amps	600 VAC
4 / 0	400 Amps	600 VAC

11P Posi-Lok™ Tools and Accessories

Replacement Parts, Crimping Nest and Presses

Ordering Information:

Cat. #	Description
A400001	Assembly Tool
A100632	Tool for Removing Contacts from Insulators
A100072	Cable Cutter - #2 - 4 / 0 Cable
201310	Insulator Holding Bracket
A201303	Assembly Tool for 200A Plugs
A200020-3	COM-A-LONG for Pulling Male Contact
A200020-4	COM-A-LONG for Pulling Female Contact
A101208	2 Oz. Tube Silicon Grease for Lubricating Mating End of Synthetic Rubber Insulators

Ordering Information - Crimping Nest and Presses:

Cable Size	Crimping Nests	Crimping Presses
	Cat. #	(Includes Crimp Nest) Cat. #
#2 - #1	100514-3	A200914-3
1 / 0 - 2 / 0	100514-4	A200914-4
3 / 0	100514-5	A200914-5
4 / 0	100514-6	A200914-6

Ordering Information - Other Accessories:

Connector Series	Set Screw Cat. #	Copper Shim Cat. #	Pressure Pad Cat. #	Retaining Wire Cat. #
E0200	100012-33	100400-5	-	100573-1
E0400	100012-18	100400-8	101214	100573-1



11P

Designed to meet Article 520-53 Section K and Article 530-22 Section A (NEC) standards, the built-in safety features require the user to connect or disconnect each plug in sequence. Protective receptacle covers cannot be raised until the preceding plug is locked into position.

Applications:

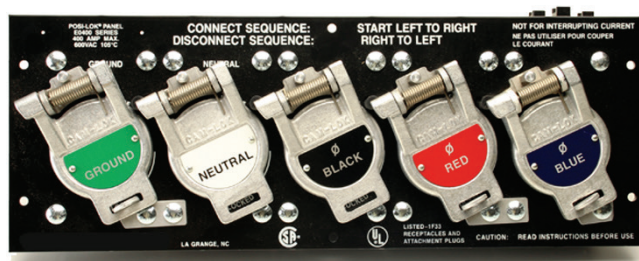
- Utilize single conductor cable that can be used to full amperage capability without the need to de-rate like multi-conductor solutions
- Ideal for disaster relief, temporary power, stand-by emergency power and power distribution applications

Certifications and compliances:

- UL Listed: E67181
- CSA certified: LR13963-48

Environmental rating:

- NEMA 3



Standard materials:

- Cable sizes #2 - 4/0
- Insulator – elastomeric
- Contact – copper

Electrical ratings:

- 600 volts
- 200 amperes continuous (E0200); 400 amperes continuous (E0400)

Temperature ratings:

- -40°C to 105°C

Features:

1 Safe, sequential interlock ensures ground mates first and breaks last

2 Limit switch capabilities

3 Reliable Posi-Lok cross-phase protection system ensures phase integrity

4 UL Listed and CSA certified

5 Lockout/tagout compatible for safety and security

6 Quick and easy installation – panels can be mounted into a standard 19 inch rack

7 Shatter-resistant insulators and polarizing shells provide long-lasting, durable connectors

8 Double set screw termination for added strength and quick installation (crimp also available)

9 Plugs are uniquely keyed and color-coded to eliminate cross-phasing

POBLOK® PANEL
500V, 30 AMP, 3000
400 AMP, 3000 VOLT
NOMINAL 100°C

CONNECT SEQUENCE:
DISCONNECT SEQUENCE:

START LEFT TO RIGHT
RIGHT TO LEFT

NOT FOR INTERRUPTING CURRENT
NE PAS UTILISER POUR COUPER
LE COURANT

LA GRANGE, NC

LISTED: 1P33
RECEPTACLES AND
ATTACHMENT PLUGS

CAUTION: READ INSTRUCTIONS BEFORE USE

DANGER
LOCKED
OUT
DO NOT REMOVE

Cut-away view of E0400 male plug

11P

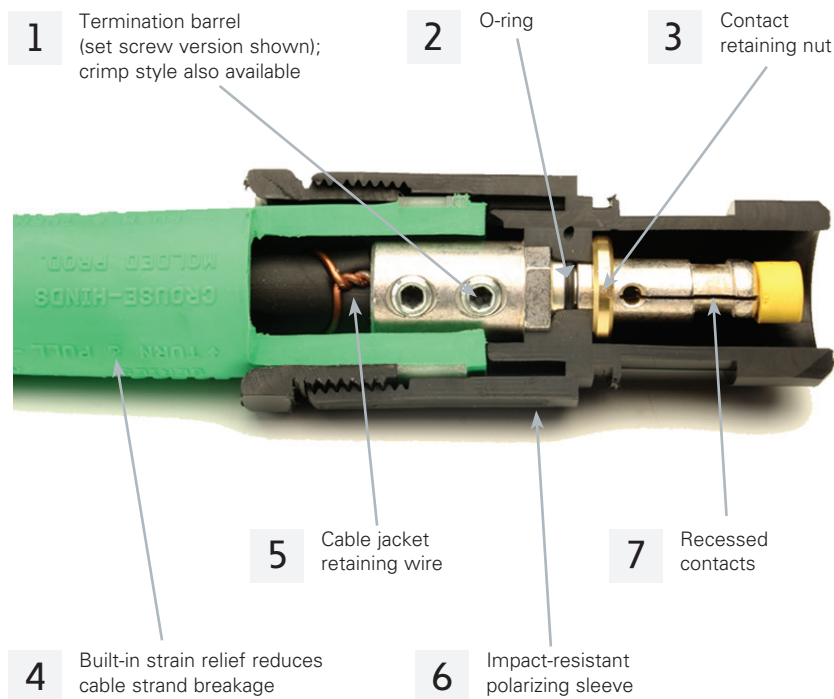
Now there's no need to haul around huge, multi-conductor cables. Posi-Lok™ power distribution systems let you use lighter, single conductor cables rated at higher amperages.

Posi-Lok plugs feature recessed electrical contacts that are protected by shatter-resistant insulators and impact-resistant molded sleeves.

More than 25 years of field testing has proven that the unique elastomeric tapered insulator allows maximum flexing with minimum breakage. There are no metal clamps or grommets to cause cable failure.



The same plugs that connect to panels also connect to each other so that you can use long runs of cable. Polarity is assured because each plug is uniquely keyed and color-coded for easy, positive connecting.



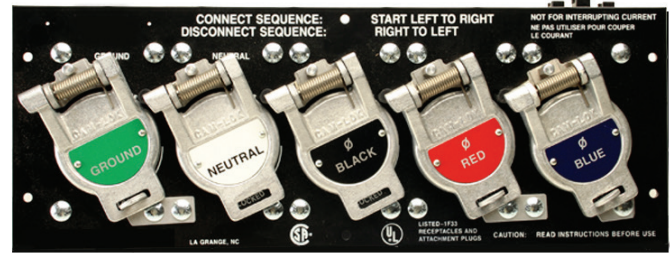
Cut-away view of E0200 male plug

Cable size #2 AWG - 4/0
600 VAC/VDC, up to 400A continuous

E0400, female panels

Features:

- Designed to meet Article 520-53 Section K and Article 530-22 Section A (NEC) standards
- Sequential interlock system requires the user to connect and disconnect each plug in sequence
- Polarized panels eliminate the possibility of cross-phasing
- Proven Cam-lok double cam principle provides a positive, vibration-proof connection
- No moving contact surfaces, eliminating arcing or burning of contacts
- Recessed contacts protected by insulating jacket that extends beyond contact ends for safety



Material characteristics:

- Panel – steel
- Temperature rating – operating ambient: -40°C to 105°C

Certifications and compliances:

- Listed to UL498, File No. E67181
- CSA certified to C22.2 No. 182.3-M1987, File No. LR13963

Ordering information:

Female panels

No. receptacles per panel	Cat. #	Cover color code
3 ^A	E0400-1685	GR, WH, BK
4 ^B	E0400-1686-NN	GR, BK, RD, BU
4 ^B	E0400-1696	GR, WH, BK, RD
4 ^B	E0400-1883-NN	GR, BRN, ORG, YEL
5	E0400-1687	GR, WH, BK, RD, BU
5	E0400-1702	GR, WH, BRN, ORG, YEL
6	E0400-1885	GR, WH, WH, BK, RD, BU

GR = green; WH = white; BK = black; RD = red; BU = blue; BRN = brown; ORG = orange; YEL = yellow; NN = panel without neutral

To order panel with a limit switch, add suffix 'LS' to end of catalog number. Available on all positions; contact factory. Limit switch ratings are [125, 250, 480 VAC, 15A], [125 VDC, 0.5A], [250 VDC, 0.25A].

Plugs must be ordered separately.

^A Panels with 3 receptacles will have two blank plates to match the same footprint as 5 receptacle panels.

^B Panels with 4 receptacles will have two blank plates to match the same footprint as 5 receptacle panels.

Cable size #2 AWG - 4/0
600 VAC/VDC, up to 400A continuous

E0400, male plugs, crimp and double set screw

Features:

- Designed to meet Article 520-53 Section K and Article 530-22 Section A (NEC) standards
- Polarized plugs eliminate the possibility of cross-phasing
- Built-in strain relief reduces cable strain
- Proven Cam-lok double cam principle provides a positive, vibration-proof connection
- No moving contact surfaces, eliminating arcing or burning of contacts
- Recessed contacts protected by insulating jacket that extends beyond contact ends for safety

Certifications and compliances:

- Listed to UL498, File No. E67181
- CSA certified to C22.2 No. 182.3-M1987, File No. LR13963

Material characteristics:

- Insulator – TPE
- Polarizing shell – thermoplastic
- Temperature rating – operating ambient: -40°C to 105°C

Ordering information:



1 Male insulator



2 Male contact



3 Polarizing shell

Assembled length is 7 1/4"

Male plugs

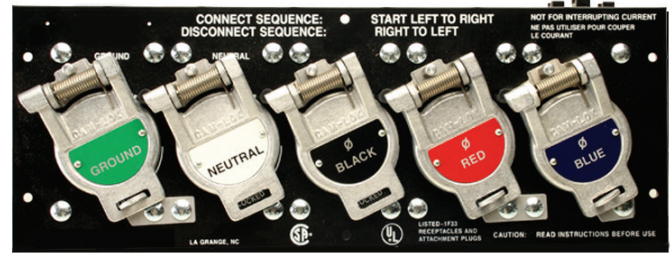
Termination	Color	Cat. # Complete	Cat. # Contact only	Cat. # Insulator	Cat. # Polarizing shell
Crimp 1/0 - 2/0	Green	E0400-141	A201271-2	3336200-1	A201263-6
	White	E0400-142	A201271-2	3336200-2	A201263-7
	Black	E0400-143	A201271-2	3336200-3	A201263-8
	Red	E0400-144	A201271-2	3336200-4	A201263-9
	Blue	E0400-145	A201271-2	3336200-5	A201263-10
	Brown	E0400-146	A201271-2	3336200-6	A201263-29
	Orange	E0400-147	A201271-2	3336200-7	A201263-30
	Yellow	E0400-148	A201271-2	3336200-8	A201263-31
	Crimp 3/0 - 4/0	Green	E0400-161	A201271-1	3336200-9
White		E0400-162	A201271-1	3336200-10	A201263-2
Black		E0400-163	A201271-1	3336200-11	A201263-3
Red		E0400-164	A201271-1	3336200-12	A201263-4
Blue		E0400-165	A201271-1	3336200-13	A201263-5
Brown		E0400-166	A201271-1	3336200-14	A201263-26
Orange		E0400-167	A201271-1	3336200-15	A201263-23
Yellow		E0400-168	A201271-1	3336200-16	A201263-25
Double set screw #2 - 2/0		Green	E0400-151	A201283-3	3336200-1
	White	E0400-152	A201283-3	3336200-2	A201263-7
	Black	E0400-153	A201283-3	3336200-3	A201263-8
	Red	E0400-154	A201283-3	3336200-4	A201263-9
	Blue	E0400-155	A201283-3	3336200-5	A201263-10
	Brown	E0400-156	A201283-3	3336200-6	A201263-29
	Orange	E0400-157	A201283-3	3336200-7	A201263-30
	Yellow	E0400-158	A201283-3	3336200-8	A201263-31
	Double set screw 3/0 - 4/0	Green	E0400-181	A201283-1	3336200-9
White		E0400-182	A201283-1	3336200-10	A201263-2
Black		E0400-183	A201283-1	3336200-11	A201263-3
Red		E0400-184	A201283-1	3336200-12	A201263-4
Blue		E0400-185	A201283-1	3336200-13	A201263-5
Brown		E0400-199	A201283-1	3336200-14	A201263-26
Orange		E0400-195	A201283-1	3336200-15	A201263-23
Yellow		E0400-192	A201283-1	3336200-16	A201263-25

Cable size #2 AWG - 4/0
600 VAC/VDC, up to 400A continuous

E0400, male panels

Features:

- Designed to meet Article 520-53 Section K and Article 530-22 Section A (NEC) standards
- Sequential interlock system requires the user to connect and disconnect each plug in sequence
- Polarized panels eliminate the possibility of cross-phasing
- Proven Cam-lok double cam principle provides a positive, vibration-proof connection
- No moving contact surfaces, eliminating arcing or burning of contacts
- Recessed contacts protected by insulating jacket that extends beyond contact ends for safety



Material characteristics:

- Panel – steel
- Temperature rating – operating ambient: -40°C to 105°C

Certifications and compliances:

- Listed to UL498, File No. E67181
- CSA certified to C22.2 No. 182.3-M1987, File No. LR13963

Ordering information:

Male panels

No. receptacles per panel	Cat. #	Cover color code
3 ^A	E0400-1660	GR, WH, BK
4 ^B	E0400-1661-NN	GR, BK, RD, BU
4 ^B	E0400-1672	GR, WH, BK, RD
4 ^B	E0400-1862-NN	GR, BRN, ORG, YEL
5	E0400-1662	GR, WH, BK, RD, BU
5	E0400-1703	GR, WH, BRN, ORG, YEL
6	E0400-1860	GR, WH, WH, BK, RD, BU

GR = green; WH = white; BK = black; RD = red; BU = blue; BRN = brown; ORG = orange; YEL = yellow; NN = panel without neutral

To order panel with a limit switch, add suffix 'LS' to end of catalog number. Available on all positions; contact factory. Limit switch ratings are [125, 250, 480 VAC, 15A], [125 VDC, 0.5A], [250 VDC, 0.25A].

Plugs must be ordered separately.

^A Panels with 3 receptacles will have two blank plates to match the same footprint as 5 receptacle panels.

^B Panels with 4 receptacles will have two blank plates to match the same footprint as 5 receptacle panels.

Cable size #2 AWG - 4/0
600 VAC/VDC, up to 400A continuous

E0400, female plugs, crimp and double set screw

Features:

- Designed to meet Article 520-53 Section K and Article 530-22 Section A (NEC) standards
- Polarized plugs eliminate the possibility of cross-phasing
- Built-in strain relief reduces cable strain
- Proven Cam-lok double cam principle provides a positive, vibration-proof connection
- No moving contact surfaces, eliminating arcing or burning of contacts
- Recessed contacts protected by insulating jacket that extends beyond contact ends for safety

Certifications and compliances:

- Listed to UL498, File No. E67181
- CSA certified to C22.2 No. 182.3-M1987, File No. LR13963

Material characteristics:

- Insulator – TPE
- Polarizing shell – thermoplastic
- Temperature rating – operating ambient: -40°C to 105°C

Ordering information:



1 Female insulator

2 Female contact



3 Polarizing shell



Assembled length is 7 1/4"

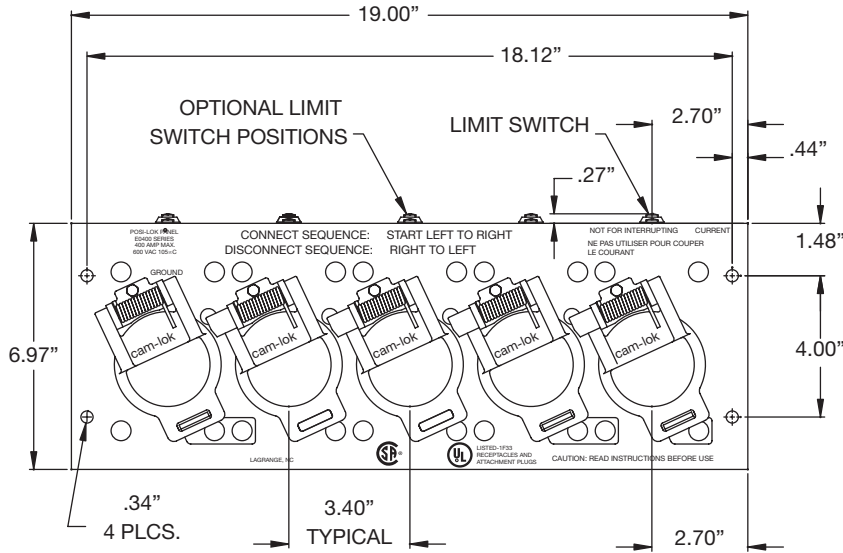
Female plugs

Termination	Color	Cat. # Complete	Cat. # Contact only	Cat. # Insulator	Cat. # Polarizing shell	
Crimp 1/0 - 2/0	Green	E0400-241	A201272-4	3336199-1	A201262-6	
	White	E0400-242	A201272-4	3336199-2	A201262-7	
	Black	E0400-243	A201272-4	3336199-3	A201262-8	
	Red	E0400-244	A201272-4	3336199-4	A201262-9	
	Blue	E0400-245	A201272-4	3336199-5	A201262-10	
	Brown	E0400-246	A201272-4	3336199-6	A201262-27	
	Orange	E0400-247	A201272-4	3336199-7	A201262-28	
	Yellow	E0400-248	A201272-4	3336199-8	A201262-29	
	Crimp 3/0 - 4/0	Green	E0400-261	A201272-2	3336199-9	A201262-1
		White	E0400-262	A201272-2	3336199-10	A201262-2
Black		E0400-263	A201272-2	3336199-11	A201262-3	
Red		E0400-264	A201272-2	3336199-12	A201262-4	
Blue		E0400-265	A201272-2	3336199-13	A201262-5	
Brown		E0400-266	A201272-2	3336199-14	A201262-26	
Orange		E0400-267	A201272-2	3336199-15	A201262-23	
Yellow		E0400-268	A201272-2	3336199-16	A201262-25	
Double set screw #2 - 2/0		Green	E0400-251	A201284-3	3336199-1	A201262-6
		White	E0400-252	A201284-3	3336199-2	A201262-7
	Black	E0400-253	A201284-3	3336199-3	A201262-8	
	Red	E0400-254	A201284-3	3336199-4	A201262-9	
	Blue	E0400-255	A201284-3	3336199-5	A201262-10	
	Brown	E0400-256	A201284-3	3336199-6	A201262-27	
	Orange	E0400-257	A201284-3	3336199-7	A201262-28	
	Yellow	E0400-258	A201284-3	3336199-8	A201262-29	
	Double set screw 3/0 - 4/0	Green	E0400-281	A201284-1	3336199-9	A201262-1
		White	E0400-282	A201284-1	3336199-10	A201262-2
Black		E0400-283	A201284-1	3336199-11	A201262-3	
Red		E0400-284	A201284-1	3336199-12	A201262-4	
Blue		E0400-285	A201284-1	3336199-13	A201262-5	
Brown		E0400-299	A201284-1	3336199-14	A201262-26	
Orange		E0400-295	A201284-1	3336199-15	A201262-23	
Yellow		E0400-292	A201284-1	3336199-16	A201262-25	

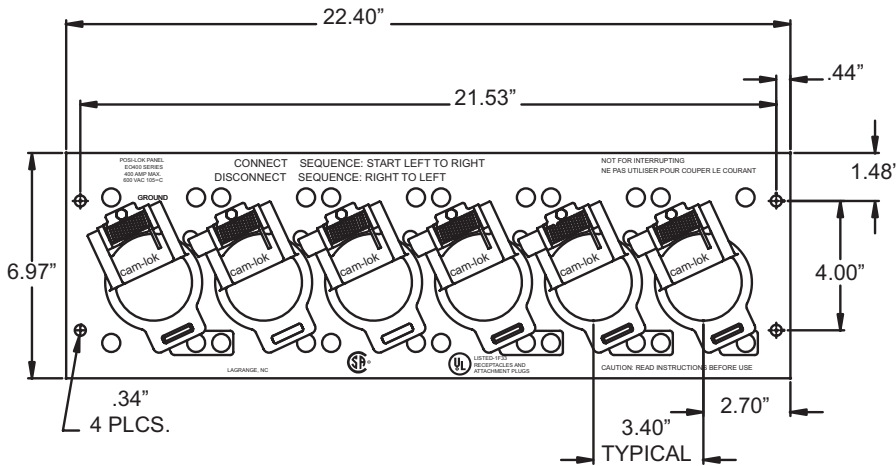
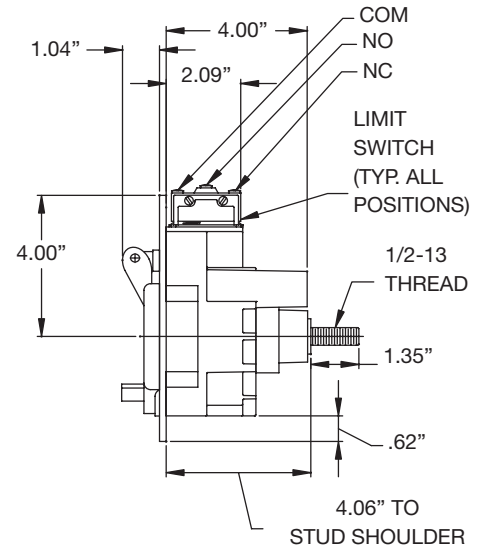
Posi-Lok E400 plugs and panels

Cable size #2 AWG - 4/0
600 VAC/VDC, up to 400A continuous

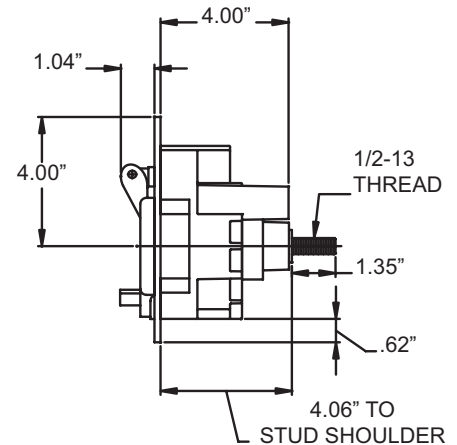
Dimensions:



Panel with limit switch mounting dimensions



Panel without limit switch mounting dimensions



Ordering information:

Protective plug caps

Cat. #	Description
A100601-17	Cap for male E0400
A100602-17	Cap for female E0400
A201318-1	Cap for male E0200
A201319-1	Cap for female E0200

Replacement parts, crimping nests and presses

Ordering information:

Replacement parts

Cat. #	Description
A400001	Assembly tool
A100632	Tool for removing contacts from insulators
A100072	Cable cutter – #2 - 4/0 cable
201310	Insulator holding bracket
A201303	Assembly tool for 200A plugs
A200020-3	COM-A-LONG for pulling male contact
A200020-4	COM-A-LONG for pulling female contact
A101208	2 oz. tube silicon grease for lubricating mating end of synthetic rubber insulators

Crimping nests and presses

Cable size	Cat. # Crimping nests	Cat. # Crimping presses (includes crimp nest)
#2 - #1	100514-3	A200914-3
1/0 - 2/0	100514-4	A200914-4
3/0	100514-5	A200914-5
4/0	100514-6	A200914-6

Other accessories

Connector series	Cat. # Set screw	Cat. # Copper shim	Cat. # Pressure pad	Cat. # Retaining wire
E0200	100012-33	100400-5		100573-1
E0400	100012-18	100400-8	101214	100573-1

11P

