

## Applications:

- Marine and watertight requirements

## Features:

- Unique pin and sleeve design prevents accidental mating of non-marine rated devices
- Available mating metal or non-metallic plugs with integral threaded ring maintain a watertight seal
- Neoprene gasket resists petroleum
- Reverse service feed available
- Extended cover provides additional wiring capacity
- Cast marine brass or copper-free aluminum construction available
- Captive threaded receptacle cap
- Optional two-pole rotary switch combinations
- Heavy duty mounting pads
- Silicone lubricant provided for cover screws and flange
- Available in 125 VAC, up to 600 VAC
- 2-pole, 3-wire or 3-pole, 4-wire units available
- 125 VAC, 20 ampere ANSI NEMA adapter plug available

## Certifications and compliances:

- Conforms to IP66
- ABS

## Standard materials:

- Plug body and ring – cast marine brass, zinc plated brass or Acrylonitrile Butadiene Styrene/polycarbonate blend (ABS+PC)
- Receptacle and plug interior – Acrylonitrile Butadiene Styrene/polycarbonate blend (ABS+PC)
- Box and cover – cast marine brass or copper-free aluminum
- Pins and sleeves – free machining brass
- Caps and ring – marine brass or zinc plated brass
- Hardware – stainless steel
- Gasket – one-piece neoprene

## Technical specifications:

- Entries – standard units undrilled; up to 3/4" NPT through feed available

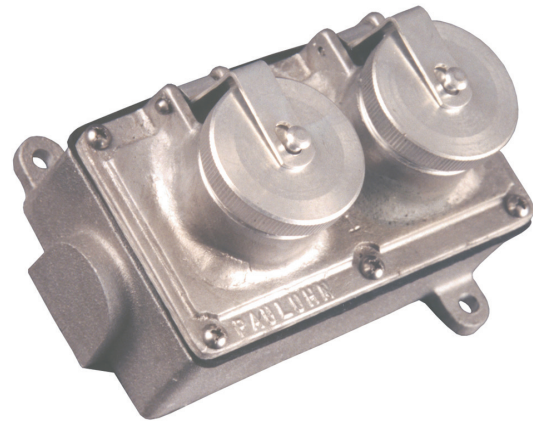
### Voltage and current ratings:

#### Receptacle

- 125 VAC, 20 amperes maximum
- 208 VAC, 20 amperes maximum
- 250 VAC, 20 amperes maximum
- 277 VAC, 20 amperes maximum
- 480 VAC, 20 amperes maximum
- 600 VAC, 20 amperes maximum

#### Switch

- 20 amperes, 120/240 VAC
- 1 HP at 120 VAC or 2 HP at 240 VAC



## Mounting options:

- Surface mount (via two) or flush mount (via four) 1/4" bolts (not included)

## Options:

Description	Suffix
• 208 VAC..... <i>3-pole, 4-wire only</i>	<b>208<sup>A</sup></b>
• 250 VAC.....	<b>250<sup>A</sup></b>
• 277 VAC..... <i>2-pole, 3-wire only</i>	<b>277<sup>A</sup></b>
• 480 VAC.....	<b>480<sup>A</sup></b>
• 600 VAC..... <i>3-pole, 4-wire only</i>	<b>600<sup>A</sup></b>
• Reverse service..... <i>Available with single-gang only</i>	<b>RS</b>

## Entry options:

NPT trade size	Dead end	Through feed
1/2"	E1	C1
3/4"	E2	C2

<sup>A</sup> Replace '125' in catalog number.

# Pauluhn ProConnect-PS 261 and 262 wiring devices

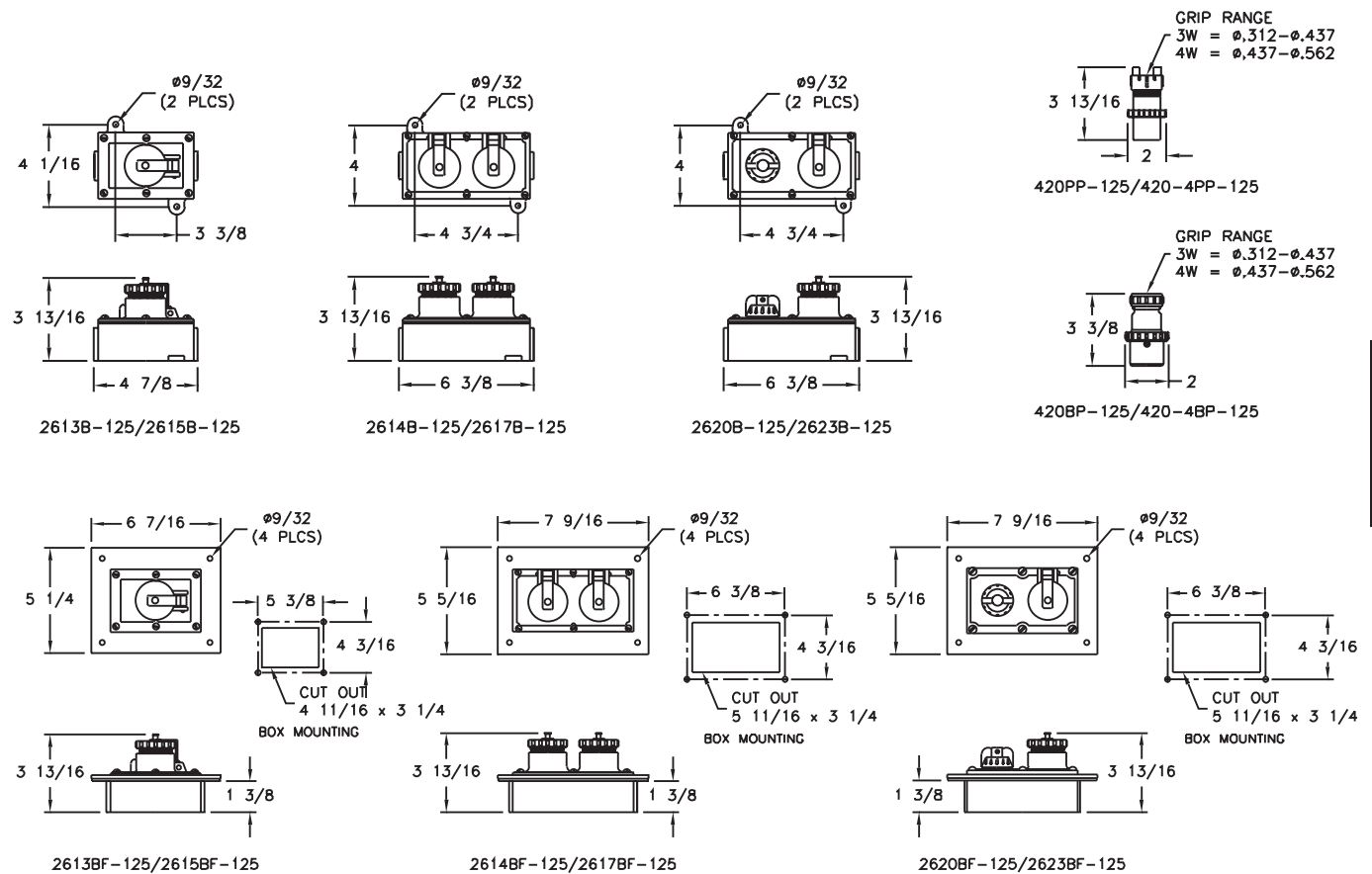
Conforms to IP66

12P

## Ordering information:

Cat. # 2-pole, 3-wire	Cat. # 3-pole, 4-wire	Description	Material	Weight (lbs.)
2613B-125	2615B-125	Surface mount, one receptacle	Marine brass	4.0
2614B-125	2617B-125	Surface mount, two receptacles	Marine brass	5.5
2620B-125	2623B-125	Surface mount, one receptacle with switch	Marine brass	5.5
2613BF-125	2615BF-125	Flush mount, one receptacle	Marine brass	4.5
2614BF-125	2617BF-125	Flush mount, two receptacles	Marine brass	6.5
2620BF-125	2623BF-125	Flush mount, one receptacle with switch	Marine brass	6.5
2614A-125	2617A-125	Surface mount, two receptacles	Aluminum	2.3
420BP-125	420-4BP-125	Plug	Metal	0.8
420PP-125	420-4PP-125	Plug	Plastic	0.3

## Dimensions (in inches):



12P

## Applications:

- Marine and watertight requirements

## Features:

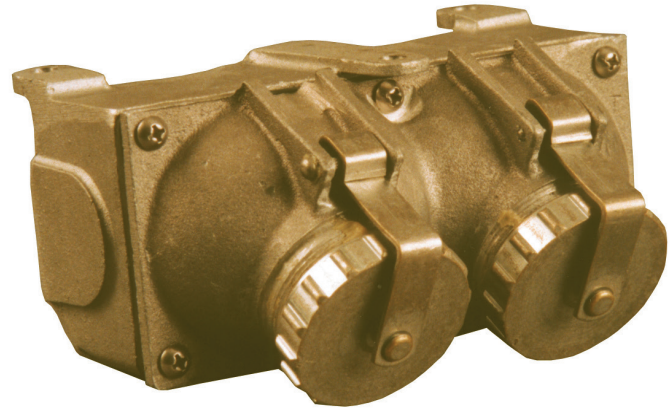
- Water shedding inverted mounting style
- Suitable for horizontal wall mount
- Watertight straight blade ANSI NEMA type receptacle
- Accepts standard ANSI NEMA type plugs
- Optional two-pole rotary switch combinations
- Available mating metal or nylon plugs with integral threaded ring maintain a watertight seal
- Neoprene gasket resists petroleum
- Cast marine brass or copper-free aluminum construction available
- Captive threaded receptacle cap
- Heavy duty mounting pads
- Silicone lubricant provided for cover screws and flange
- Available in 125 VAC and 250 VAC
- Receptacles will accept 15 or 20 ampere plugs

## Certifications and compliances:

- Conforms to IP66
- ABS

## Standard materials:

- Plug body – zinc plated brass with PBT enclosure (A series only); brass with PBT enclosure (B series only)
- Box and cover – cast marine brass or copper-free aluminum
- Caps and ring – marine brass or zinc plated brass
- Hardware – stainless steel
- Gasket – one-piece neoprene



## Technical specifications:

- Entries – standard units undrilled; up to 3/4" NPT through feed available

### Voltage and current ratings:

#### Receptacle

- 15/20 amperes, 125 VAC, ANSI NEMA 5-15/20R
- 15/20 amperes, 250 VAC, ANSI NEMA 6-15/20R

#### Switch

- 20 amperes, 120/240 VAC
- 1 HP at 120 VAC or 2 HP at 240 VAC

#### Plug

- 15 amperes, 125 VAC, ANSI NEMA 5-15P
- 20 amperes, 125 VAC, ANSI NEMA 5-20P
- 15 amperes, 250 VAC, ANSI NEMA 6-15P
- 20 amperes, 250 VAC, ANSI NEMA 6-20P

## Options:

### Description

- 250 VAC..... **250<sup>A</sup>**

### Suffix

## Entry options:

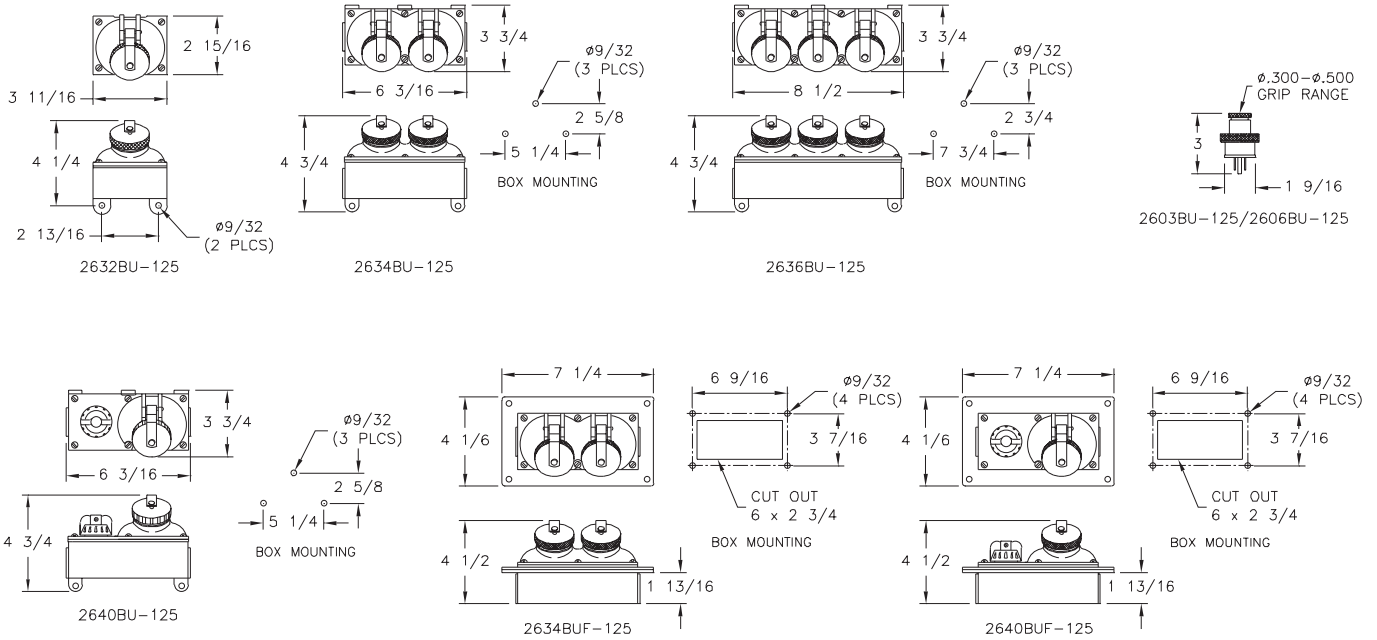
NPT trade size	Dead end	Through feed
1/2"	E1	C1
3/4"	E2	C2

## Ordering information:

Cat. #	Description	Material	Weight (lbs.)
2632BU-125	Surface mount, one receptacle	Marine brass	2.75
2634BU-125	Surface mount, two receptacles	Marine brass	4.75
2636BU-125	Surface mount, three receptacles	Marine brass	6.50
2640BU-125	Surface mount, one receptacle with switch	Marine brass	4.75
2634BUF-125	Flush mount, two receptacles	Marine brass	5.75
2640BUF-125	Flush mount, one receptacle with switch	Marine brass	5.50
2632AU-125	Surface mount, one receptacle	Aluminum	1.00
2634AU-125	Surface mount, two receptacles	Aluminum	2.10
2603BU-125	Plug, 15 amperes	Marine brass	0.80
2606BU-125	Plug, 20 amperes	Marine brass	0.80
2603AU-125	Plug, 15 amperes	Aluminum	0.80
2606AU-125	Plug, 20 amperes	Aluminum	0.80

<sup>A</sup> Replace '125' in catalog number.

## Dimensions (in inches):



# Pro

## ProConnect-PS 3100/3101/mw



### FEATURES

- Unique pin and sleeve design prevents accidental mating of non-marine rated devices.
- Available mating metal or non-metallic plugs with integral threaded ring maintain a watertight seal.
- Neoprene gaskets resist petroleum.
- Extended back box for additional wiring capacity.
- Reverse service feed available.
- Cast marine brass construction.
- Captive threaded receptacle cap.
- Heavy duty mounting pads.
- Silicone lubricant provided for cover screws and flange.
- Available in 125v AC up to 600v AC.
- 2P3W or 3P4W units available.
- 125v AC 20 Amp ANSI NEMA adapter plug available.

### APPLICATIONS

- Marine and watertight requirements

### APPROVALS

- Conforms to IP66
- ABS

### TECHNICAL SPECIFICATIONS

#### BOX/COVER

Cast marine brass.

#### CAP/RING

Marine brass.

#### PLUG BODY/RING

Cast marine brass or Acrylonitrile Butadiene Styrene/Polycarbonate blend (ABS+PC).

#### HARDWARE

Stainless steel.

#### GASKETS

One piece neoprene.

#### RECEPTACLE/PLUG INTERIOR

Acrylonitrile Butadiene Styrene/Polycarbonate blend (ABS+PC).

#### PIN AND SLEEVES

Free machining brass.

#### ENTRIES

Standard units undrilled. Up to four 1" NPT outlets available. See ENTRY OPTIONS for selections.

#### MOUNTING

Surface, via two 1/4" bolts (not included).

#### VOLTAGE AND CURRENT

##### RECEPTACLE

125v AC, 20 Amp max  
208v AC, 20 Amp max  
250v AC, 20 Amp max  
277v AC, 20 Amp max  
480v AC, 20 Amp max  
600v AC, 20 Amp max

## ORDERING REFERENCES

PART NUMBER		DESCRIPTION	WEIGHT LBS
TYPE 2P3W	TYPE 3P4W		
3100B-125	3101B-125	Single Receptacle	4.3
420BP-125	420-4BP-125	Metal Plug	0.8
420PP-125	420-4PP-125	Plastic Plug	0.4

## SPECIAL OPTIONS

-208*	- 208v AC (3P4W only)
-250*	- 250v AC
-277*	- 277v AC (2P3W only)
-480*	- 480v AC
-600*	- 600v AC (3P4W only)
RS	- Reverse Service

\*Replace -125 in part number.

## ENTRY OPTIONS

NPT Trade Size	Dead End*	Thru Feed*	X-Positions
1/2"	E1	C1	X1
3/4"	E2	C2	X2
1"	E3	C3	X3

\*Entries on short side of casting.

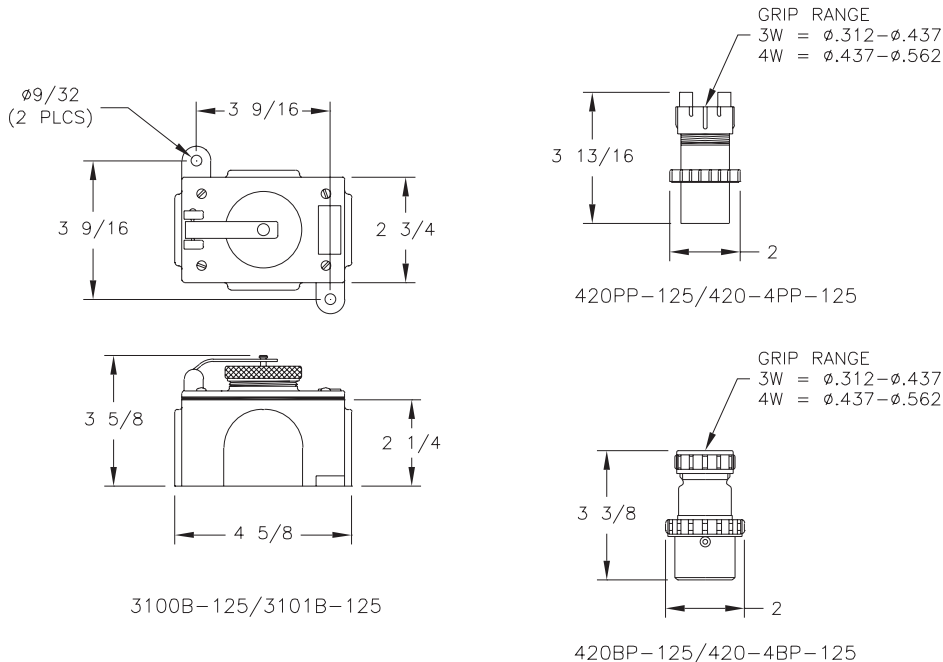
## SPARE PARTS

Part No.	Description
INX3022-125*	INTERIOR, 2P3W, Receptacle
INX3143-125*	INTERIOR, 2P3W, Metal Plug
INX3103-125*	INTERIOR, 2P3W, Plastic Plug
INX3023-125*	INTERIOR, 3P4W, Receptacle
INX3147-125*	INTERIOR, 3P4W, Metal Plug
INX3105-125*	INTERIOR, 3P4W, Plastic Plug
INX3242PR-125	ADAPTER, 125v to 5-20R
INX3242PR-250	ADAPTER, 250v to 6-20R
GKT6094	BOX COVER GASKET
INX8013B	CAP WITH GASKET
INX6030B	BOX
INX6550B	COVER

### \*NOTE

Change "-125" suffix to 208, 250, 277, 480 or 600 for voltage needed.

## DIMENSIONS



Dimensions in inches

# Pro

## ProConnect-PS 6000/mw



### FEATURES

- Unique pin and sleeve design prevents accidental mating of non-marine rated devices.
- Available mating plug with integral threaded ring maintains a watertight seal.
- Neoprene gaskets resist petroleum.
- Reverse service feed available.
- Extended box and cover provides additional wiring capacity.
- Cast marine brass construction.
- Captive threaded receptacle cap.
- Heavy duty mounting pads.
- Silicone lubricant provided for cover screws and flange.
- Available in 125v AC up to 600v AC.
- 2P3W or 3P4W units available.

### APPLICATIONS

- Marine and watertight requirements

### APPROVALS

- Conforms to IP66
- ABS

### TECHNICAL SPECIFICATIONS

#### BOX/COVER/CAP

Cast marine brass.

#### PLUG BODY/RING

Cast marine brass.

#### HARDWARE

Stainless steel.

#### GASKETS

One piece neoprene.

#### RECEPTACLE/PLUG INTERIOR

Acrylonitrile Butadiene Styrene/Polycarbonate blend (ABS+PC).

#### PIN AND SLEEVES

Free machining brass.

#### ENTRIES

Standard units undrilled. Up to four 1" NPT outlets available. See ENTRY OPTIONS for selections.

#### MOUNTING

Surface, via two 1/4" mounting bolts (not included).

### VOLTAGE AND CURRENT

#### RECEPTACLE

125v AC, 30 Amp max  
250v AC, 30 Amp max  
277v AC, 30 Amp max  
380v AC, 30 Amp max  
480v AC, 30 Amp max  
600v AC, 30 Amp max

## ORDERING REFERENCES

PART NUMBER		DESCRIPTION	WEIGHT LBS
TYPE 2P3W	TYPE 3P4W		
6009B-125	6006B-125	Angle Type	7.8
6009BP-125	6006BP-125	Plug	2.8

## SPECIAL OPTIONS

-250*	- 250v units
-277*	- 277v units
-380*	- 380v units
-480*	- 480v units
-600*	- 600v units
RS	- Reverse Service

\*Replace -125 in part number.

## ENTRY OPTIONS

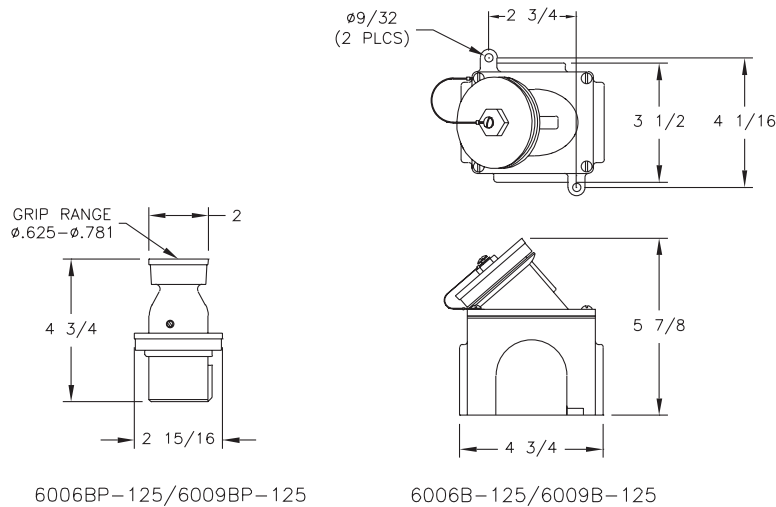
NPT Trade Size	Dead End*	Thru Feed*	X-Positions
1/2"	E1	C1	X1
3/4"	E2	C2	X2
1"	E3	C3	X3

\*Entries on short side of casting.

## SPARE PARTS

Part No.	Description	Part No.	Description
INX8014B	RECEPTACLE CAP W/GASKET	INX3057	INTERIOR, 3P4W Receptacle
GKT4005	BOX COVER GASKET	INX3073	INTERIOR, 2P3W Plug
INX3043	INTERIOR, 2P3W Receptacle	INX3074	INTERIOR, 3P4W Plug

## DIMENSIONS



Dimensions in inches