

11P LynxPOWER™ Passive Connectors

Mini-Line Cordsets and Receptacles

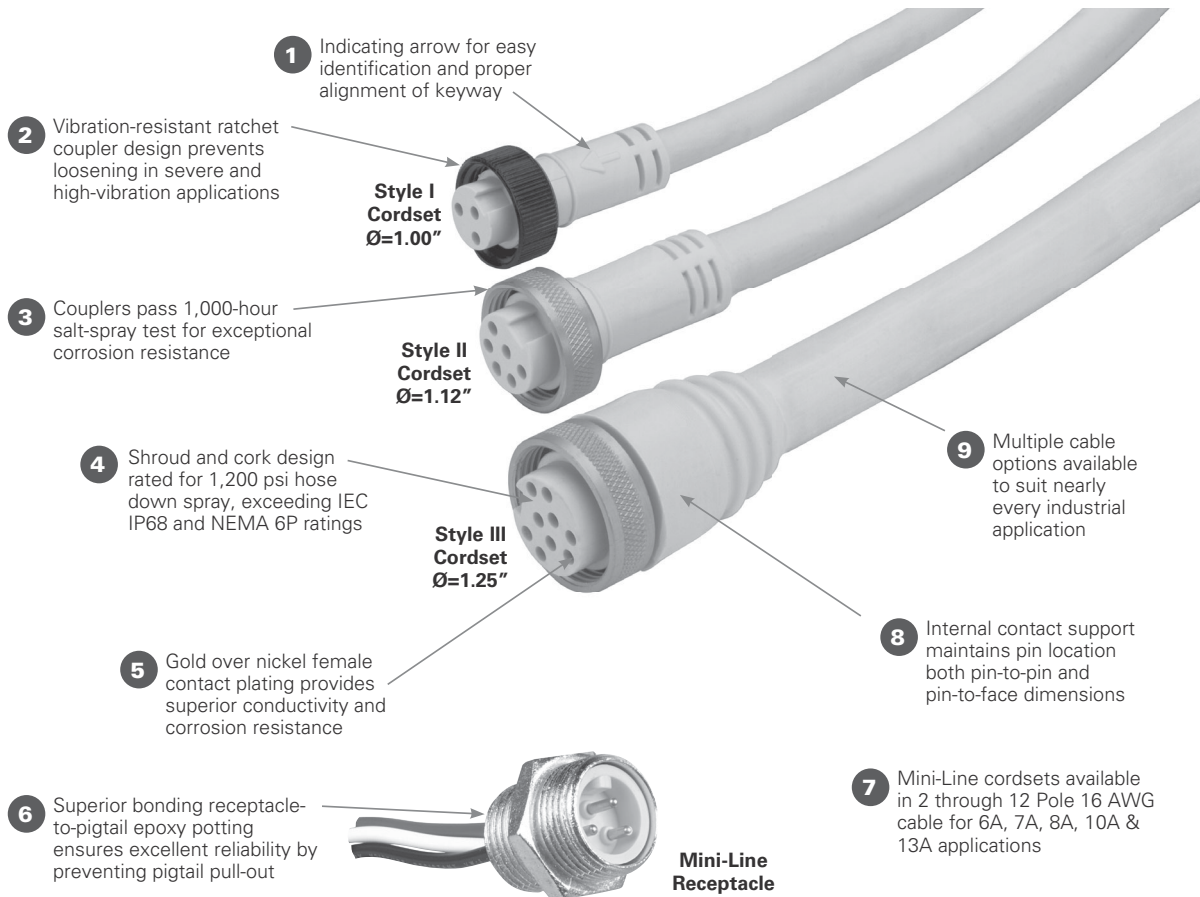
Mini-Line Cordsets and Receptacles are designed for modular use in abusive applications where cable assemblies are exposed to constant flexing and/or dirty, oily, or harsh environments.

Applications:

- Specifically designed for industrial automation applications in which power or signal connections are exposed to long-term physical stresses and subjected to liquids or oils
- Ideal for industrial manufacturing, production line equipment, packaging equipment, conveyors and assembly lines, plus food and beverage processing equipment
- Mini-Line connection points mean less downtime, easier maintenance, and increased safety by replacing traditional hard wiring with a plug-and-run modular pre-wired system
- These products have excellent resistance to welding flash, hot chips, and other severe conditions found in demanding manufacturing settings
- The molded-to-cable construction of the one-piece cordset ends creates a bond that is impervious to penetration from external contaminants



Features:



11P

Mini-Line Cordsets

Male and Female Cordsets

Features:

- Factory molded-to-cable cordsets provide quick connect capability
- Modular components allow for easy expansion and reconfiguration without the need for rewiring; eliminates the need for multiple cable assemblies, reduces installation time, reduces design time, and lessens the need for special tools
- Environmentally sealed ends rated at IP68 to prevent the ingress of dust, water, and other contaminants to reduce maintenance and downtime
- Vibration-resistant ratchet couplers assure cordsets stay connected under load
- Superior female contact design with stainless steel sleeve for minimal degradation
- End-to-cable molded junction securely bonds for excellent reliability
- Internal contact support maintains pin location and proper keyway alignment
- Shroud and cork design exceeds IP68 and NEMA 6P rating (rated 1,200 PSI hose-down spray)
- Easy stripping jacketed cable with "fillerless" design allows fast stripping with simple hand tools; high flex copper stranding delivers improved flexibility; multiple cable options



ML3C4WC030F
Style I Female Plug



MLWC4WC030F
Style II Female Plug



ML9C4WC030F
Style III Female Plug

Certifications and Compliances:

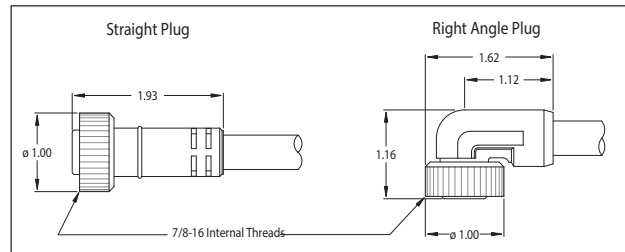
- UL recognized, cURus, File No. E169897

Style I Male and Female Plugs

2-Pole: 13A; 3-Pole: 13A; 4-Pole: 10A; 5-Pole: 8A; 6-Pole: 6A

2, 3, 4, 5, 6 Conductor 16 AWG Standard Color Code

- Cable options: ST00W or S00W
- Straight and right angle body designs
- Vibration-proof ratchet coupler design
- Zinc, nylon, and stainless steel coupler options
- Meets current SAE #H1738-2 specifications

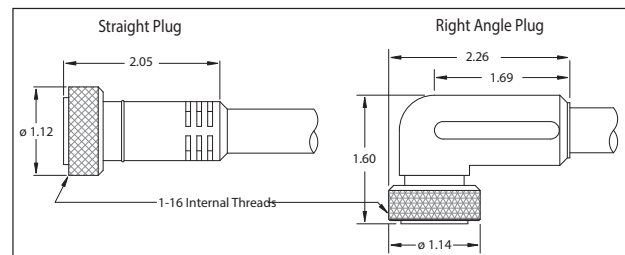


Style II Male and Female Plugs

6-Pole: 8A; 7-Pole: 7A; 8-Pole: 7A

6, 7, 8 Conductor 16 AWG Standard Color Code

- Cable options: ST00W or S00W
- Straight and right angle body designs
- Vibration-proof ratchet coupler design
- Zinc, nylon, and stainless steel coupler options
- Meets current SAE #H1738-2 specifications

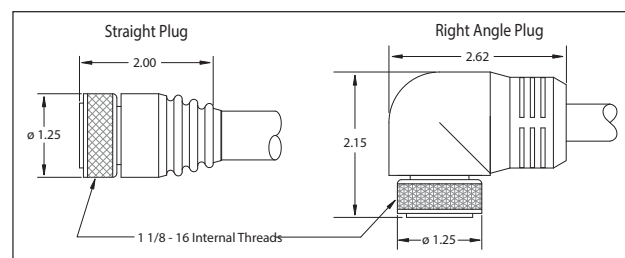


Style III Male and Female Plugs

9-Pole: 7A; 10-Pole: 7A; 12-Pole: 7A

9, 10, 12 Conductor 16 AWG Standard Color Code

- Cable options: ST00W or S00W
- Straight and right angle body designs
- Vibration-proof ratchet coupler design
- Zinc, nylon, and stainless steel coupler options
- Meets current SAE #H1738-2 specifications



11P

Mini-Line Cordsets

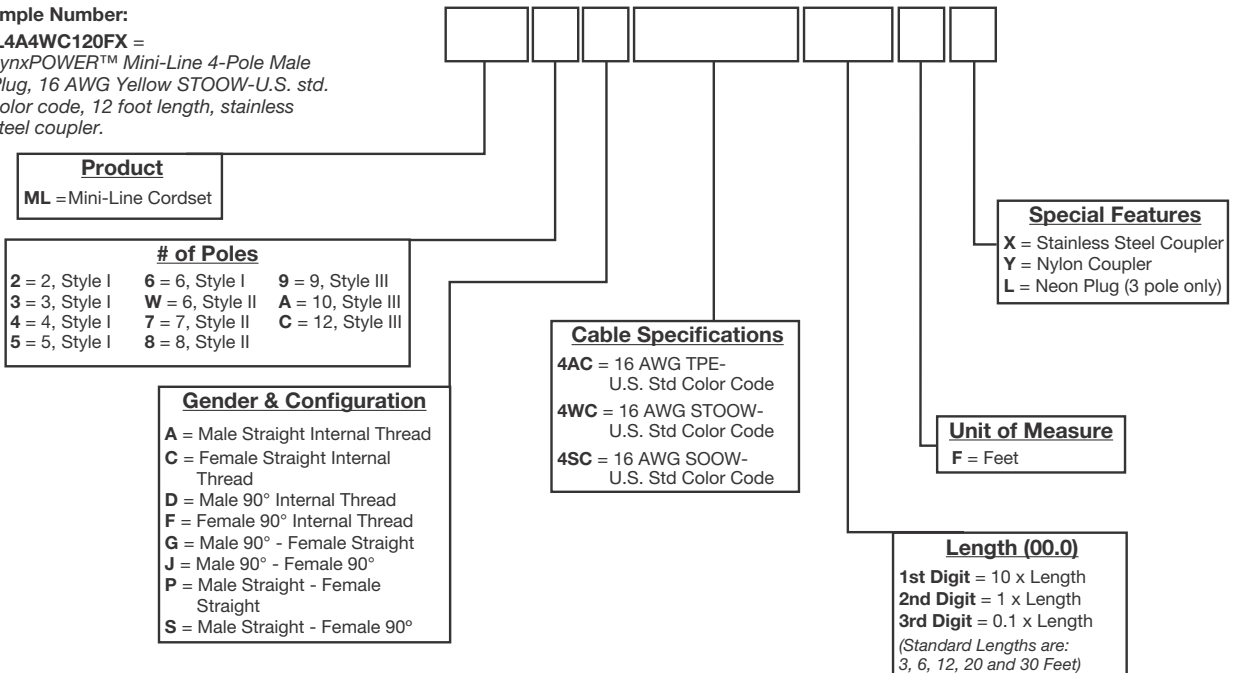
Pin Configurations and Color Coding:

	2-Pole Style I	3-Pole Style I	4-Pole Style I	5-Pole Style I	6-Pole Style I	6-Pole Style II	7-Pole Style II	8-Pole Style II	9-Pole Style III	10-Pole Style III	12-Pole Style III
Female Faces											
Male Faces											
Conductor Color Coding	Standard 1. WHT 2. BLK	Standard 1. GRN 2. BLK 3. WHT	Standard 1. BLK 2. WHT 3. RED 4. GRN	Standard 1. WHT 2. RED 3. GRN 4. ORG 5. BLK	Standard 1. WHT 2. RED 3. GRN 4. ORG 5. BLK 6. BLU	Standard 1. ORG 2. BLU 3. BLK 4. WHT 5. RED 6. GRN	Standard 1. WHT/BLK 2. BLK 3. WHT 4. RED 5. ORG 6. BLU 7. GRN	Standard 1. ORG 2. BLU 3. WHT/BLK 4. BLK 5. WHT 6. RED 7. GRN 8. RED/BLK	Standard 1. ORG 2. BLU 3. RED/BLK 4. GRN/BLK 5. WHT 6. RED 7. GRN 8. WHT/BLK 9. BLK	Standard 1. ORG 2. BLU 3. WHT/BLK 4. RED/BLK 5. GRN/BLK 6. ORG/BLK 7. RED 8. GRN 9. BLK 10. WHT	Standard 1. ORG 2. BLU 3. WHT/BLK 4. RED/BLK 5. GRN/BLK 6. ORG/BLK 7. BLU/BLK 8. BLK/WHT 9. GRN 10. RED 11. WHT 12. BLK

Mini-Line Cordset Catalog Number Matrix:

Sample Number:

ML4A4WC120FX =
LynxPOWER™ Mini-Line 4-Pole Male Plug, 16 AWG Yellow STOOW-U.S. std. color code, 12 foot length, stainless steel coupler.



11P

Mini-Line Receptacles

Male and Female Receptacles

Features:

- Modular components allow for easy expansion and reconfiguration without the need for rewiring; eliminates the need for multiple cable assemblies, reduces installation time, reduces design time, and lessens the need for special tools
- Environmentally sealed connectors rated at IP68 to prevent the ingress of dust, water, and other contaminants to reduce maintenance and downtime
- Compact, space-saving receptacle bodies
- Superior female contact design with stainless steel sleeve for minimal degradation
- Receptacle-to-pigtail potting bonds securely for excellent reliability
- Internal contact support maintains pin location and proper keyway alignment
- Shroud and cork design exceeds IP68 and NEMA 6P rating (rated 1,200 PSI hose-down spray)

Certifications and Compliances:

- UL recognized, cURus, File No. E169897



MR3E4BC120A
Style I Male Receptacle



MRWE4BC120A
Style II Male Receptacle



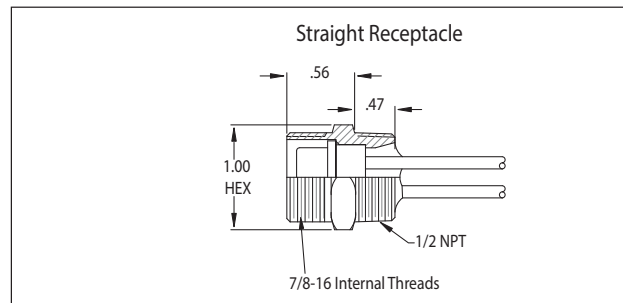
MR9E4BC120A
Style III Male Receptacle

Style I Male and Female Receptacles

2-Pole: 13A; 3-Pole: 13A; 4-Pole: 10A; 5-Pole: 8A; 6-Pole: 6A

2, 3, 4, 5, 6 Conductor 16 AWG U.S. Standard Color Code

- Cable options: PVC single conductor flying leads
- 1/2"-14 NPT mounting threads
- Zinc, nylon, and stainless steel shell options
- Meets current SAE #H1738-2 specifications

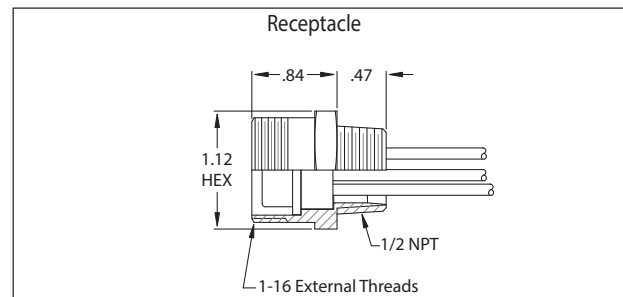


Style II Male and Female Receptacles

6-Pole: 8A; 7-Pole: 7A; 8-Pole: 7A

6, 7, 8 Conductor 16 AWG U.S. Standard Color Code

- Cable options: PVC single conductor flying leads
- 1/2"-14 NPT mounting threads
- Aluminum, nylon, and stainless steel shell options
- Meets current SAE #H1738-2 specifications

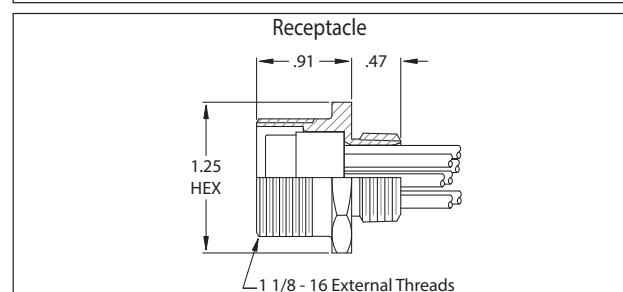


Style III Male and Female Receptacles

9-Pole: 7A; 10-Pole: 7A; 12-Pole: 7A

9, 10, 12 Conductor 16 AWG U.S. Standard Color Code

- Cable options: PVC single conductor flying leads
- 1/2"-14 NPT mounting threads
- Aluminum, nylon, and stainless steel shell options
- Meets current SAE #H1738-2 specifications



11P

Mini-Line Receptacles

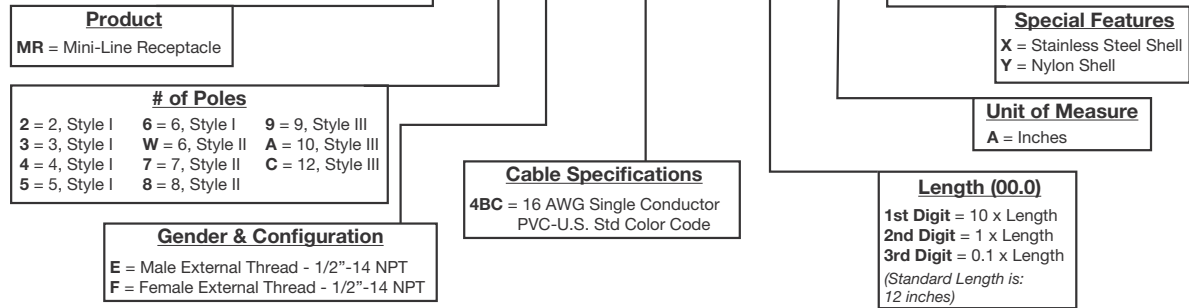
Pin Configurations and Color Coding:

	2-Pole	3-Pole	4-Pole	5-Pole	6-Pole	6-Pole	7-Pole	8-Pole	9-Pole	10-Pole	12-Pole
Female Faces											
	2-Pole Style I	3-Pole Style I	4-Pole Style I	5-Pole Style I	6-Pole Style I	6-Pole Style II	7-Pole Style II	8-Pole Style II	9-Pole Style III	10-Pole Style III	12-Pole Style III
Male Faces											
	2-Pole Style I	3-Pole Style I	4-Pole Style I	5-Pole Style I	6-Pole Style I	6-Pole Style II	7-Pole Style II	8-Pole Style II	9-Pole Style III	10-Pole Style III	12-Pole Style III
Conductor Color Coding	Standard 1. WHT 2. BLK	Standard 1. GRN 2. BLK 3. WHT	Standard 1. BLK 2. WHT 3. RED 4. GRN	Standard 1. WHT 2. RED 3. GRN 4. ORG 5. BLK	Standard 1. WHT 2. RED 3. GRN 4. ORG 5. BLK 6. BLU	Standard 1. ORG 2. BLU 3. BLK 4. WHT 5. RED 6. GRN	Standard 1. WHT/BLK 2. BLK 3. WHT 4. RED 5. ORG 6. BLU 7. GRN	Standard 1. ORG 2. BLU 3. WHT/BLK 4. BLK 5. WHT 6. RED 7. GRN 8. RED/BLK	Standard 1. ORG 2. BLU 3. RED/BLK 4. GRN/BLK 5. WHT 6. RED 7. GRN 8. WHT/BLK 9. BLK	Standard 1. ORG 2. BLU 3. WHT/BLK 4. RED/BLK 5. GRN/BLK 6. ORG/BLK 7. RED 8. GRN 9. BLK 10. WHT	Standard 1. ORG 2. BLU 3. WHT/BLK 4. RED/BLK 5. GRN/BLK 6. ORG/BLK 7. BLU/BLK 8. BLK/WHT 9. GRN 10. RED 11. WHT 12. BLK

Mini-Line Receptacles Catalog Number Matrix:

Sample Number:

MR4F4BC120AX =
LynxPOWER™ Mini-Line 4-Pole
Female Receptacle, 16 AWG single
conductor PVC U.S. Std. color code,
cable 12" with stainless steel.



11P

Mini-Line Tees and Accessories

Mini-Line Tees and Accessories

Features:

- Modular components allow for easy expansion and reconfiguration without the need for rewiring; reduces installation time and lessens the need for special tools
- Factory molded tees offer quick and easy circuit branching options
- Field attachable connectors allow users to create custom cable lengths using their own cable
- Optional 316 stainless steel couplers support for food and beverage industry applications



MT5RC4R
Style I Male-Female-Female Tee



MF4B1
Style I Male In-line Field Attachable

Certifications and Compliances:

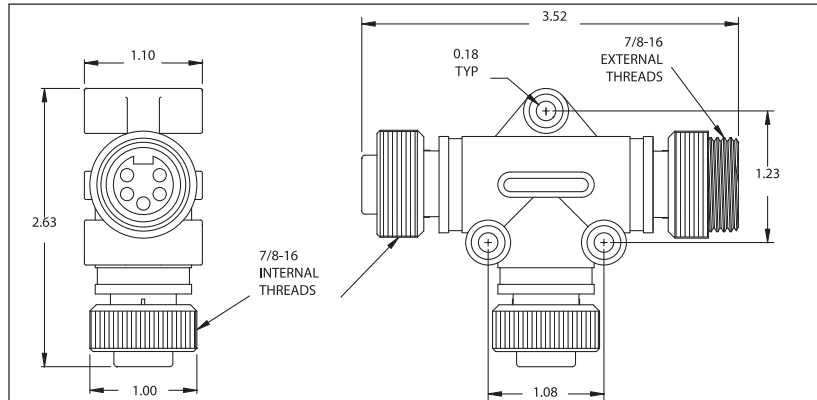
- UL recognized, cURus, File No. E169897

Style I Tees

2-Pole: 13A; 3-Pole: 13A; 4-Pole: 10A; 5-Pole: 8A; 6-Pole: 6A

2, 3, 4, 5, 6 Conductor 16 AWG Tees Available

- Male and female plug connectivity
- Available with molded drop cable
- Black and gray molded body options
- Zinc, nylon, and stainless steel coupler options available
- IP68

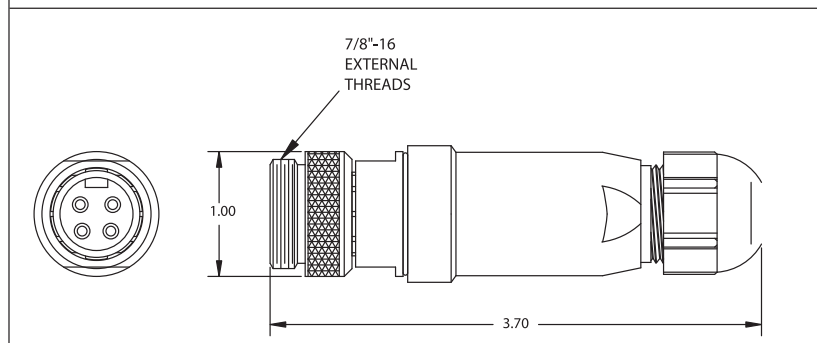
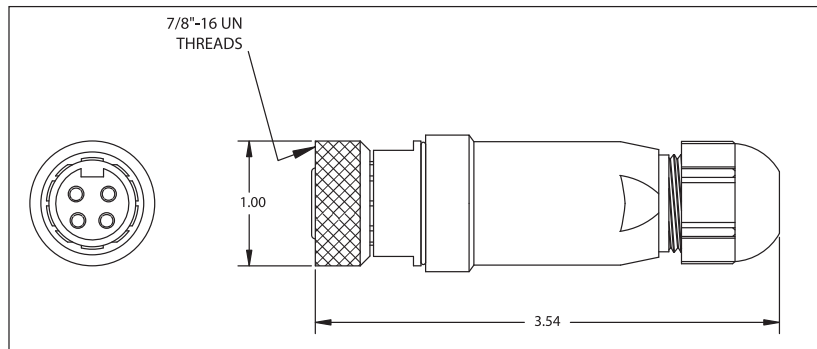


Style I Field Attachables

2-Pole: 13A; 3-Pole: 13A; 4-Pole: 10A; 5-Pole: 8A; 6-Pole: 6A

3, 4, 5 Conductor Available to Support 16 AWG Cable

- Field attachables feature an impact-resistant PVC body
- Provide IP67 environment protection
- Nickel-plated brass coupler provides easy to use, durable connection
- IP67



11P

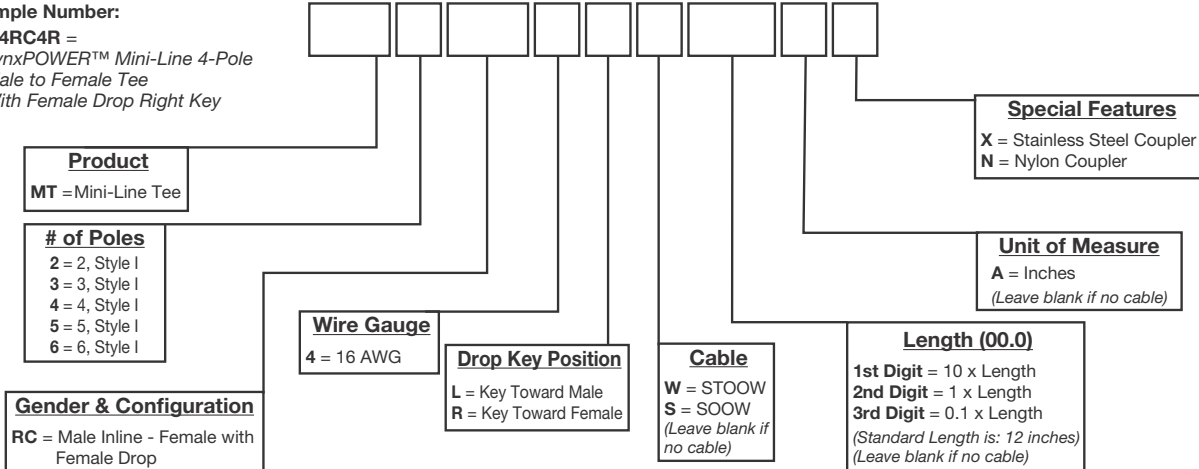
Mini-Line Tees and Accessories

Mini-Line Tees Catalog Number Matrix:

Sample Number:

MT4RC4R =

LynxPOWER™ Mini-Line 4-Pole
Male to Female Tee
With Female Drop Right Key

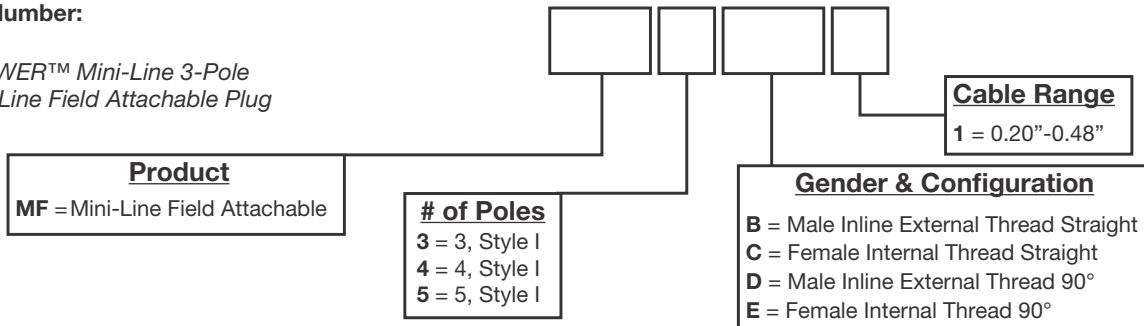


Mini-Line Field Attachable Catalog Number Matrix:

Sample Number:

MF3B1 =

LynxPOWER™ Mini-Line 3-Pole
Male In-Line Field Attachable Plug



Ordering Information - Passive Accessories:

Mini-Line Caps

Description	Cat. #
ML1 Cap for Plugs	M1MC
ML2 Cap for Plugs	M2MC
ML3 Cap for Plugs	M3MC
ML1 Cap for Receptacles	M1FC
ML2 Cap for Receptacles	M2FC
ML3 Cap for Receptacles	M3FC

Micro-Mini Cordsets and Receptacles

Micro-Mini Cordsets and Receptacles are specifically designed for sensor and control equipment used in today's manufacturing environments.

Applications:

- Specifically designed for industrial automation applications that expose signal connections to constant flexing and vibration, plus contaminants, hot chips, or welding flash
- Ideal for industrial manufacturing, production line equipment, pick-n-place machines, robotic equipment, and processing sensors
- Designed specifically for low amperage AC or DC control systems, compatible with pin configurations used by major sensor manufacturers in the U.S. and Europe, and meet current SAE H1738-2 and IEC 60176-2-101 specifications
- The molded-to-cable construction of the one-piece cordset ends creates a bond that is impervious to penetration from external contaminants
- Receptacle shells are made from materials chosen to mate with Micro-Mini Cordsets and provide a cable assembly with far superior service



Features:

1 Indicating arrow for easy identification and proper alignment of keyway

2 Vibration-resistant ratchet coupler design prevents loosening in severe and high-vibration applications

3 Couplers pass 1,000-hour salt-spray test for exceptional corrosion resistance

4 Heavy-duty contact insert provides superior strength for even the most abusive applications

5 Gold over nickel female contact plating provides superior conductivity and corrosion resistance

6 Superior bonding receptacle-to-pigtail epoxy potting ensures excellent reliability by preventing pigtail pull-out

7 Multiple cable options available to suit nearly every industrial application

8 Micro-Mini cordsets available in 2- through 6-pole 18 or 22 AWG cable for 3A, 4A and 5A applications

9 360° shielded to coupler options available to protect circuits from EMI

Micro-Mini Dual Key AC Cordset

Micro-Mini DC DIN Cordset

Micro-Mini Receptacle

Micro-Mini Cordsets AC Dual Key

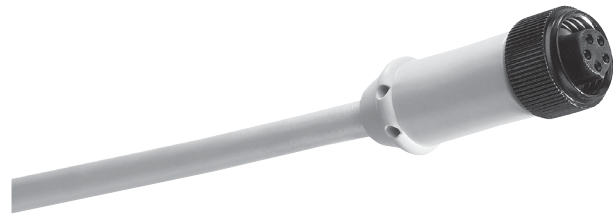
Male and Female Cordsets

Features:

- Designed for low amperage control systems in abusive manufacturing environments
- Factory molded-to-cable ends provide quick connect capability
- Modular components allow for easy expansion and reconfiguration without the need for rewiring; eliminates the need for multiple cable assemblies, reduces installation time, reduces design time, and lessens the need for special tools
- Environmentally sealed ends rated at IP68 to prevent the ingress of dust, water, and other contaminants to reduce maintenance and downtime; internal gasket assures watertightness
- Vibration-resistant ratchet couplers assure cordsets stay coupled under load
- Contact inserts securely bonded in place with a proprietary process; superior side load strength is in excess of 100 lbs., five times industry standards
- End-to-cable molded junction securely bonds for excellent reliability
- Gold-plated contacts provide superior conductivity and corrosion resistance
- Easy stripping jacketed cable with "fillerless" design allows fast stripping with simple hand tools; high flex copper stranding delivers improved flexibility; multiple cable type options



AM3B2MG010M
AC Dual Key Male Plug



AM5C3AG010M
AC Dual Key Female Plug

Certifications and Compliances:

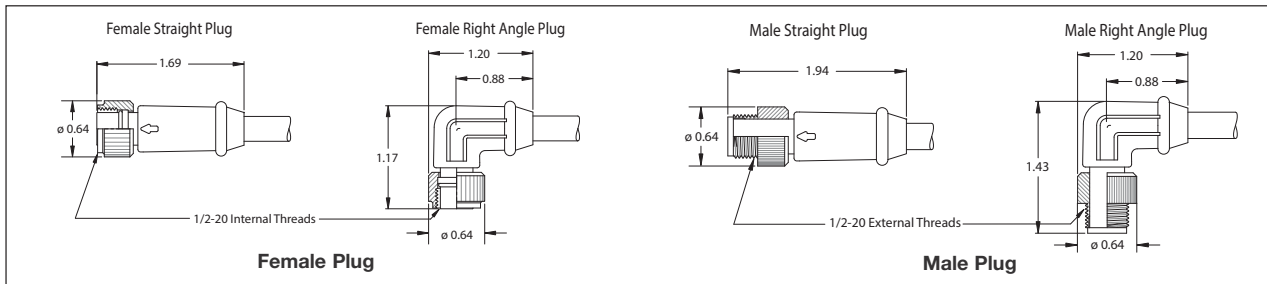
- UL recognized, cURus, File No. E169897

AC Dual Key, Male and Female Plugs

2-Pole: 4A; 3-Pole: 4A; 4-Pole: 4A; 5-Pole: 4A; 6-Pole: 3A / 300 VAC

2, 3, 4, 5, 6 Conductor 18 and 22 AWG U.S. AC Color Code

- Cable options: PVC (AWM) or TPE
- Straight and right angle body designs
- Vibration-proof ratchet coupler design
- Zinc, nylon, and stainless steel coupler options
- Meets current SAE #H1738-2 specifications



AC Dual Key Pin Configurations and Color Coding:

	Female Faces					Male Faces					
	2-Pole Dual Key AC	3-Pole Dual Key AC	4-Pole Dual Key AC	5-Pole Dual Key AC	6-Pole Dual Key AC	2-Pole Dual Key AC	3-Pole Dual Key AC	4-Pole Dual Key AC	5-Pole Dual Key AC	6-Pole Dual Key AC	
Conductor Color Coding	Standard 1. BRN 2. BLU	Standard 1. GRN 2. RED/BLK 3. RED/WHT	Standard 1. RED/BLK 2. RED/WHT 3. RED 4. GRN	Standard 1. RED/WHT 2. RED 3. GRN 4. RED/YEL 5. RED/BLK 6. RED/BLU	Standard 1. RED/WHT 2. RED 3. GRN 4. RED/YEL 5. RED/BLK 6. RED/BLU	Conductor Color Coding	Standard 1. BRN 2. BLU	Standard 1. GRN 2. RED/BLK 3. RED/WHT	Standard 1. RED/BLK 2. RED/WHT 3. RED 4. GRN	Standard 1. RED/WHT 2. RED 3. GRN 4. RED/YEL 5. RED/BLK 6. RED/BLU	Standard 1. RED/WHT 2. RED 3. GRN 4. RED/YEL 5. RED/BLK 6. RED/BLU

Micro-Mini Cordsets DC Single Key

Male and Female Cordsets

Features:

- Designed for low amperage control systems in abusive manufacturing environments
- Factory molded-to-cable ends provide quick connect capability
- Modular components allow for easy expansion and reconfiguration without the need for rewiring; eliminates the need for multiple cable assemblies, reduces installation time, reduces design time, and lessens the need for special tools
- Environmentally sealed ends rated at IP68 to prevent the ingress of dust, water, and other contaminants to reduce maintenance and downtime; internal gasket assures watertightness
- Vibration-resistant ratchet couplers assure cordsets stay coupled under load
- Contact inserts securely bonded in place with a proprietary process; superior side load strength is in excess of 100 lbs., five times industry standards
- End-to-cable molded junction securely bonds for excellent reliability
- Gold-plated contacts provide superior conductivity and corrosion resistance
- Easy stripping jacketed cable with "fillerless" design allows fast stripping with simple hand tools; high flex copper stranding delivers improved flexibility; multiple cable type options



DM3B2ME010M
DC Single Key Male Plug



DM3F2ME010MN
DC Single Key Female LED Plug

Certifications and Compliances:

- UL recognized, cURus, File No. E169897

DC Single Key (M12), Male and Female Plugs

**3-Pole: 4A; 4-Pole: 4A; 5-Pole: 4A / 3-Pole: 5A;
4-Pole: 5A / 300 VDC**

2, 3, 4, 5 Conductor 18 and 22 AWG Euro DC Color Code

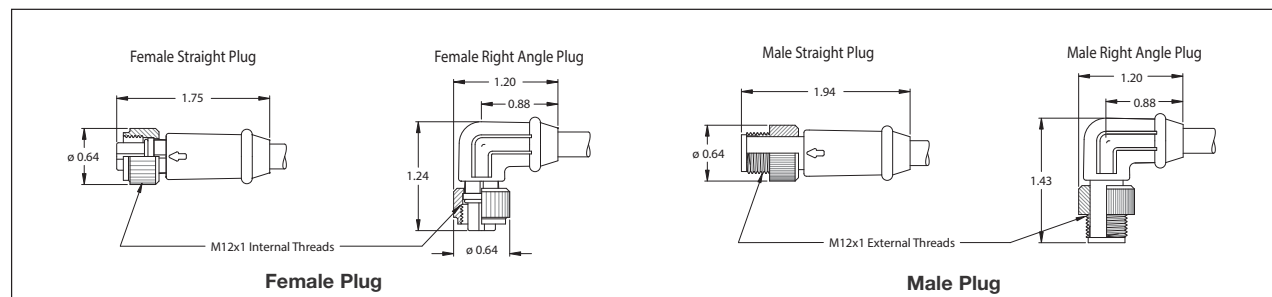
- Cable options: PVC (AWM) or SJOOW
- Straight and right angle body designs
- Vibration-proof ratchet coupler design
- Zinc, nylon, and stainless steel coupler options
- Meets current IEC 61076-2-101 specifications

DC Single Key (M12), LED Female Plugs

3-Pole: 3A / 10-30 VDC

2, 3, 4, 5 Conductor 18 and 22 AWG Euro DC Color Code

- Same options as DC single key male and female plugs
- Right angle body designs with PNP or NPN wiring



Micro DIN Pin Configurations and Color Coding:

Female Faces



3-Pole DC DIN 4-Pole DC DIN 5-Pole DC DIN

Conductor Color Coding

Euro DC	Euro DC	Euro DC
1. BRN	1. BRN	1. BRN
2. N/C	2. WHT	2. WHT
3. BLU	3. BLU	3. BLU
4. BLK	4. BLK	4. BLK
5. N/C	5. N/C	5. GRN

Male Faces



3-Pole DC DIN 4-Pole DC DIN 5-Pole DC DIN

Conductor Color Coding

Euro DC	Euro DC	Euro DC
1. BRN	1. BRN	1. BRN
2. N/C	2. WHT	2. WHT
3. BLU	3. BLU	3. BLU
4. BLK	4. BLK	4. BLK
5. N/C	5. N/C	5. GRN

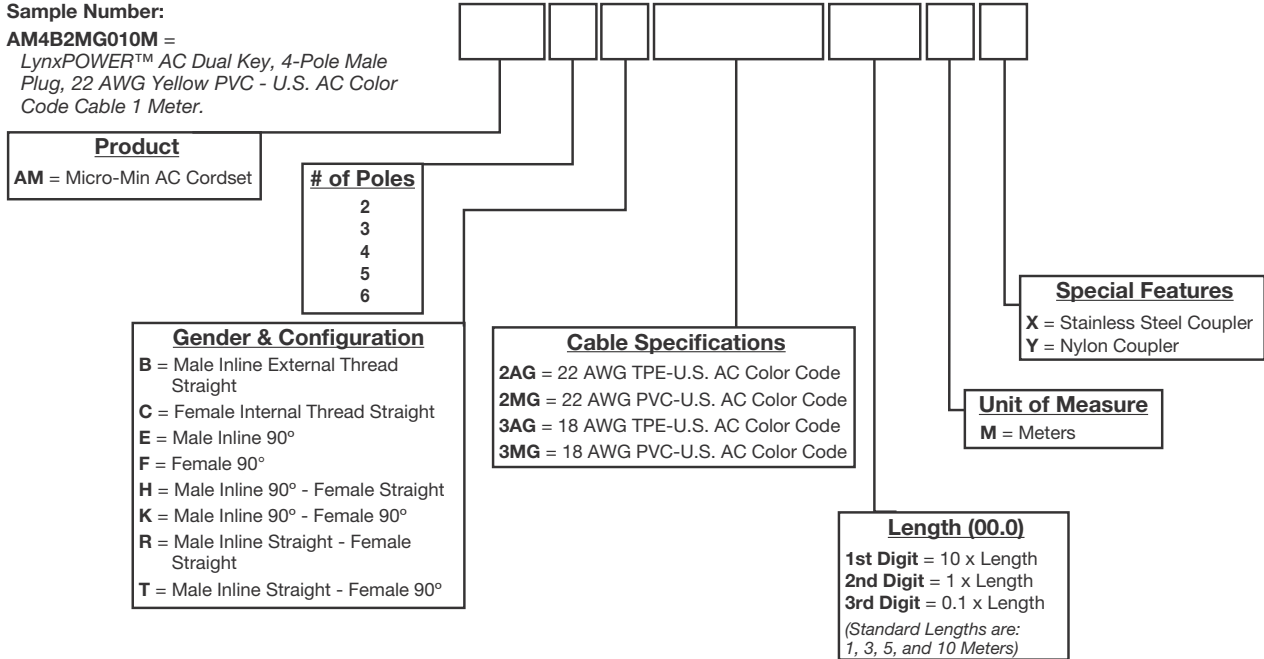
Micro-Mini Cordsets

Micro-Mini AC Dual Key Cordsets Catalog Number Matrix:

Sample Number:

AM4B2MG010M =

LynxPOWER™ AC Dual Key, 4-Pole Male Plug, 22 AWG Yellow PVC - U.S. AC Color Code Cable 1 Meter.

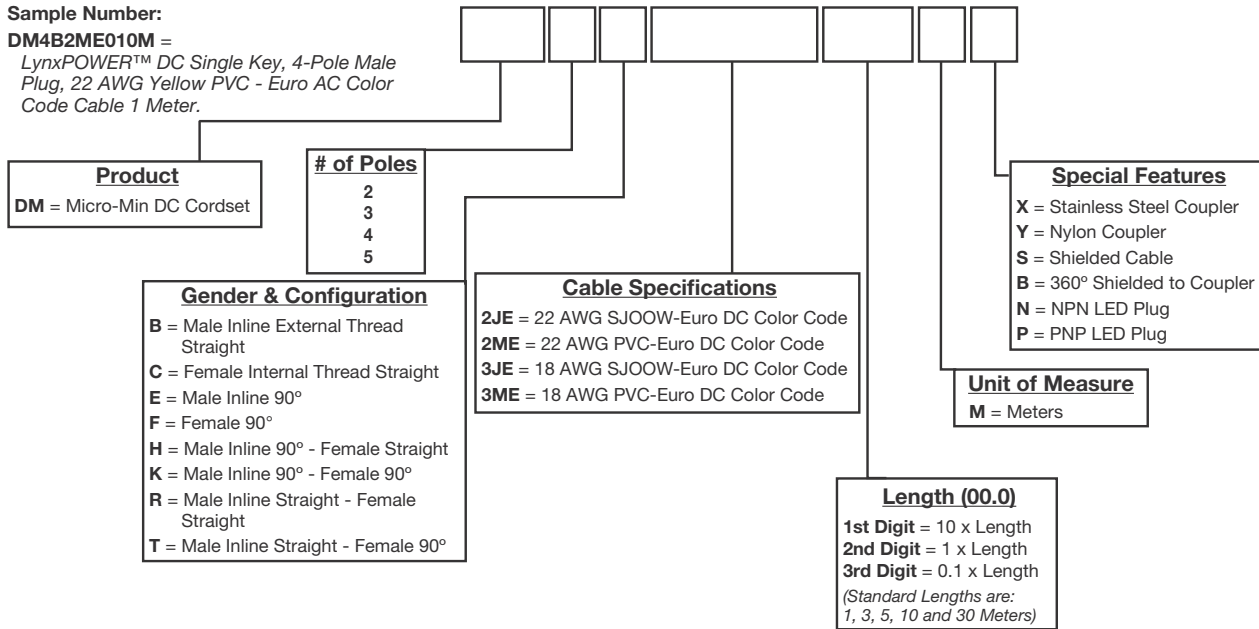


Micro-Mini DC Single Key Cordsets Catalog Number Matrix:

Sample Number:

DM4B2ME010M =

LynxPOWER™ DC Single Key, 4-Pole Male Plug, 22 AWG Yellow PVC - Euro AC Color Code Cable 1 Meter.



Micro-Mini Receptacles AC Dual Key

Male and Female Receptacles

Features:

- Designed for low amperage AC control systems in abusive manufacturing environments
- Available in straight designs with standard color coding in AWM / MTW style 1430 / 1569 leads
- Modular components allow for easy expansion and reconfiguration without the need for rewiring; eliminates the need for multiple cable assemblies, reduces installation time, reduces design time, and lessens the need for special tools
- Environmentally sealed connectors rated at IP68 to prevent the ingress of dust, water, and other contaminants to reduce maintenance and downtime; internal gasket assures watertightness
- Contact inserts securely bonded in place with a proprietary process
- Receptacle-to-pigtail potting bonds securely for excellent reliability
- Gold over nickel-plated contacts provide superior conductivity and corrosion resistance
- Internal contact support maintains pin location and proper keyway alignment
- Internal gasket assures watertight performance to IP68 and NEMA 6P ratings



AR3E2CG003M
Male Receptacle



AR3D2CG003M
Female Receptacle

Certifications and Compliances:

- UL recognized, cURus, File No. E169897

AC Dual Key, Male and Female Receptacles

2-Pole: 4A; 3-Pole: 4A; 4-Pole: 4A; 5-Pole: 4A; 6-Pole: 3A / 300 VAC

2, 3, 4, 5, 6 Conductor 18 and 22 AWG U.S. AC Color Code

- Cable options: PVC single conductor flying leads
- 1/2"-14 NPT and 1/4"-18 NPT mounting threads available
- Aluminum, nylon, and stainless steel shell options
- Meets current SAE #H1738-2 specifications

AC Dual Key Pin Configurations and Color Coding:

Female Faces



2-Pole
Dual Key AC



3-Pole
Dual Key AC



4-Pole
Dual Key AC



5-Pole
Dual Key AC



6-Pole
Dual Key AC

Conductor Color Coding

Standard
1. BRN
2. BLU

Standard
1. GRN
2. RED/BLK
3. RED/WHT

Standard
1. RED/BLK
2. RED/WHT
3. RED
4. GRN

Standard
1. RED/WHT
2. RED
3. GRN
4. RED/YEL
5. RED/BLK

Standard
1. RED/WHT
2. RED
3. GRN
4. RED/YEL
5. RED/BLK
6. RED/BLU

Male Faces



2-Pole
Dual Key AC



3-Pole
Dual Key AC



4-Pole
Dual Key AC



5-Pole
Dual Key AC



6-Pole
Dual Key AC

Conductor Color Coding

Standard
1. BRN
2. BLU

Standard
1. GRN
2. RED/BLK
3. RED/WHT

Standard
1. RED/BLK
2. RED/WHT
3. RED
4. GRN

Standard
1. RED/WHT
2. RED
3. GRN
4. RED/YEL
5. RED/BLK

Standard
1. RED/WHT
2. RED
3. GRN
4. RED/YEL
5. RED/BLK
6. RED/BLU

Micro-Mini Receptacles DC Single Key

Male and Female Receptacles

Features:

- Designed for low amperage DC control systems in abusive manufacturing environments
- Available in straight designs with standard color coding in AWM / MTW style 1430 / 1569 leads
- Modular components allow for easy expansion and reconfiguration without the need for rewiring; eliminates the need for multiple cable assemblies, reduces installation time, reduces design time, and lessens the need for special tools
- Environmentally sealed connectors rated at IP68 to prevent the ingress of dust, water, and other contaminants to reduce maintenance and downtime; internal gasket assures watertightness
- Contact inserts securely bonded in place with a proprietary process
- Receptacle-to-pigtail potting bonds securely for excellent reliability
- Gold over nickel-plated contacts provide superior conductivity and corrosion resistance
- Internal contact support maintains pin location and proper keyway alignment
- Internal gasket assures watertight performance to IP68 and NEMA 6P ratings



DR4E2CE00M
Male Receptacle



DR4D2CE003M
Female Receptacle

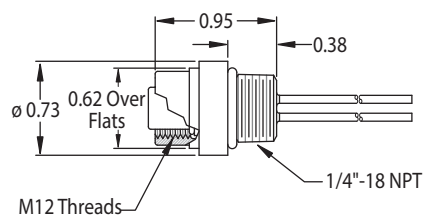
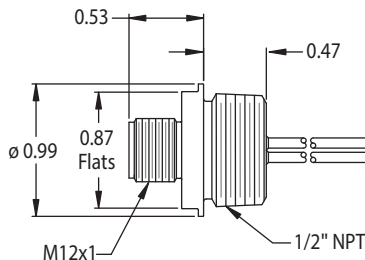
Certifications and Compliances:

- UL recognized, cURus, File No. E169897

DC DIN, Male and Female Receptacles

3-Pole: 4A; 4-Pole: 4A; 5-Pole: 4A / 300 VDC
2, 3, 4, 5, 6 Conductor 18 and 22 AWG U.S. DC Color Code

- Cable options: PVC single conductor flying leads
- 1/2"-14 NPT and 1/4"-18 NPT mounting threads available
- Aluminum, nylon, and stainless steel shell options
- Meets current IEC 61076-2-101 specifications



DC DIN Pin Configurations and Color Coding:

Female Faces



3-Pole DC DIN 4-Pole DC DIN 5-Pole DC DIN

Conductor Color Coding

Euro DC	Euro DC	Euro DC
1. BRN	1. BRN	1. BRN
2. N/C	2. WHT	2. WHT
3. BLU	3. BLU	3. BLU
4. BLK	4. BLK	4. BLK
5. N/C	5. N/C	5. GRY

Male Faces



3-Pole DC DIN 4-Pole DC DIN 5-Pole DC DIN

Conductor Color Coding

Euro DC	Euro DC	Euro DC
1. BRN	1. BRN	1. BRN
2. N/C	2. WHT	2. WHT
3. BLU	3. BLU	3. BLU
4. BLK	4. BLK	4. BLK
5. N/C	5. N/C	5. GRY

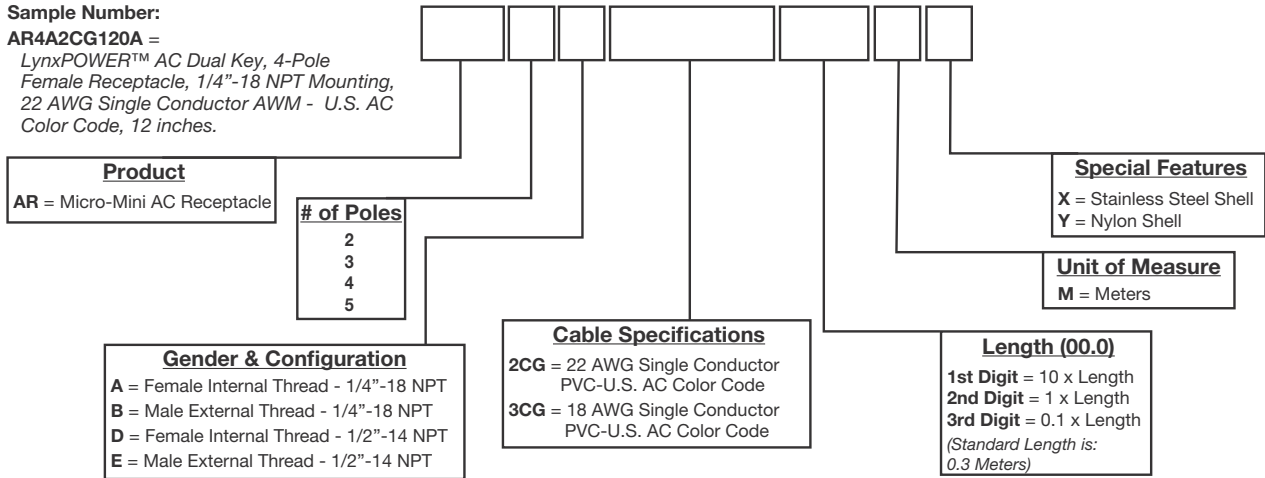
Micro-Mini Receptacles

Micro-Mini AC Dual Key Receptacles Catalog Number Matrix:

Sample Number:

AR4A2CG120A =

LynxPOWER™ AC Dual Key, 4-Pole
Female Receptacle, 1/4"-18 NPT Mounting,
22 AWG Single Conductor AWM - U.S. AC
Color Code, 12 inches.

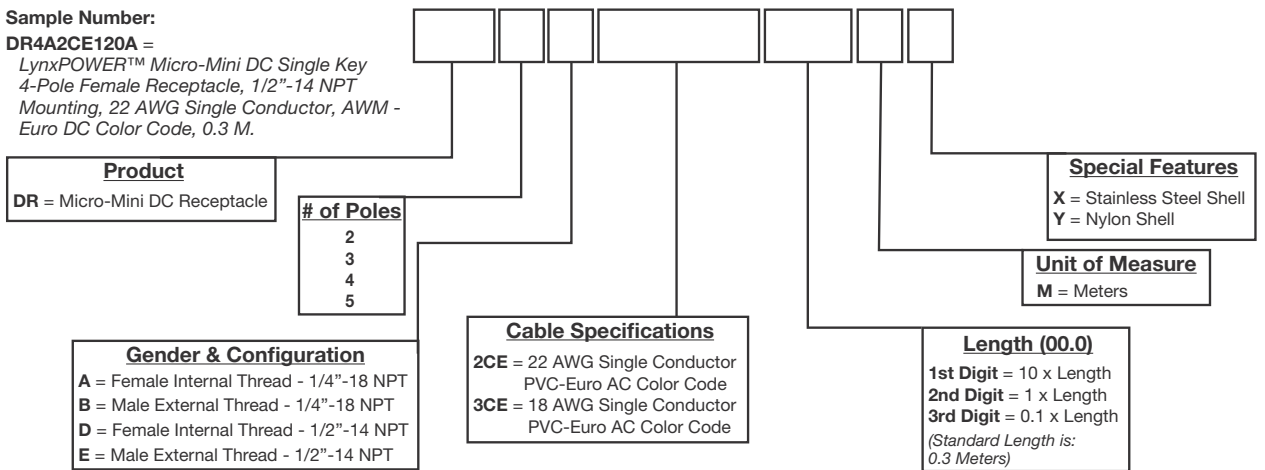


Micro-Mini DC Single Key Receptacles Catalog Number Matrix:

Sample Number:

DR4A2CE120A =

LynxPOWER™ Micro-Mini DC Single Key
4-Pole Female Receptacle, 1/2"-14 NPT
Mounting, 22 AWG Single Conductor, AWM -
Euro DC Color Code, 0.3 M.

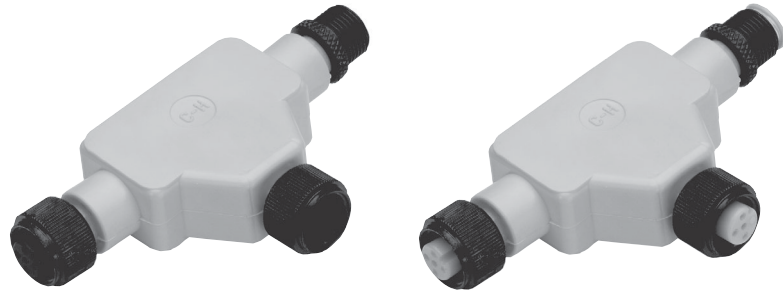


Micro-Mini Tees and Accessories

Micro-Mini AC Dual Key and DC Single Tees

Features:

- Factory molded tees offer quick and easy circuit branching options, eliminating the need for hard wired boxes
- Tees are available with molded-to-cable drops as well as molded wiring harnesses with multiple drops
- Compact body reduces the overall connectivity footprint
- Flexible gender configurations allow the user to customize the product to fit their application



AT3RC3R
AC Dual Key Male-Female-Female Tee

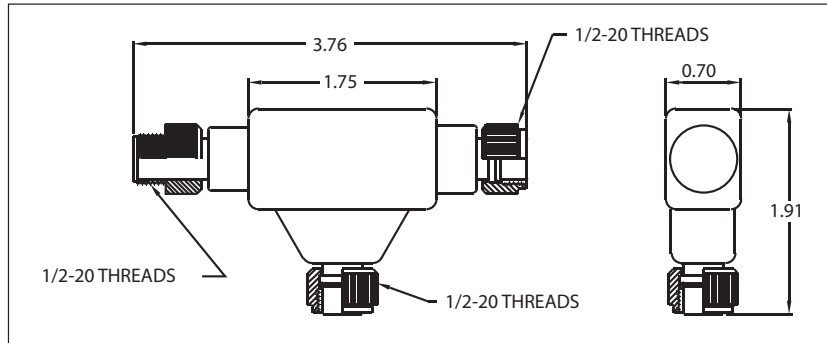
DT4RC3R
DC Single Key Male-Female-Female Tee

Micro-Mini AC Dual Key Tapping Tees

2-Pole, 3-Pole, 4-Pole, 5-Pole: 5A / 300V

2, 3, 4, 5 Conductor 18 AWG

- Standard low profile configurations
- 18 AWG and 22 AWG standard color code
- 300V 105°C
- Epoxy coated zinc die cast hardware
- Meets current SAE #H1738-2 specifications
- Vibration-resistant ratchet design (die cast coupler)

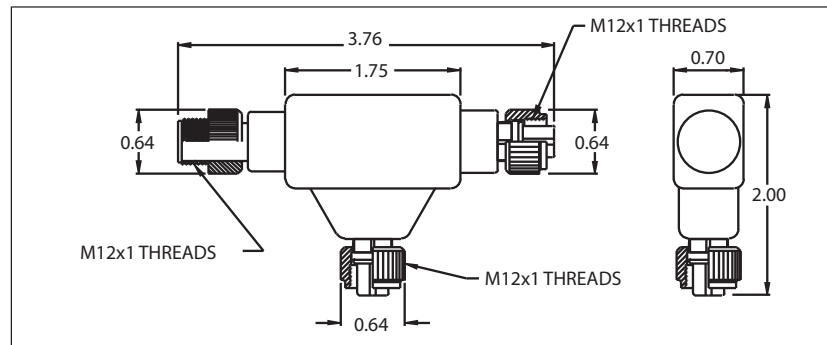


Micro-Mini DC Single Key Tapping Tees

3-Pole, 4-Pole, 5-Pole: 5A / 300V

3, 4, 5 Conductor 18 AWG

- 18 AWG and 22 AWG standard color code
- 300V 105°C
- Black epoxy coated hardware
- Meets current SAE #H1738-2 specifications



AC Dual Key Pin Configurations and Color Coding:

Female Faces	2-Pole Dual Key AC	3-Pole Dual Key AC	4-Pole Dual Key AC	5-Pole Dual Key AC
Male Faces	2-Pole Dual Key AC	3-Pole Dual Key AC	4-Pole Dual Key AC	5-Pole Dual Key AC
Conductor Color Coding	Standard 1. BRN 2. BLU	Standard 1. GRN 2. RED/BLK 3. RED/WHT	Standard 1. RED/BLK 2. RED/WHT 3. RED 4. GRN	Standard 1. RED/WHT 2. RED 3. GRN 4. RED/YEL 5. RED/BLK

DC Single Key Pin Configurations and Color Coding:

Female Faces	3-Pole DC DIN	4-Pole DC DIN	5-Pole DC DIN
Male Faces	3-Pole DC DIN	4-Pole DC DIN	5-Pole DC DIN
Conductor Color Coding	Euro DC 1. BRN 2. N/C 3. BLU 4. BLK 5. N/C	Euro DC 1. BRN 2. WHT 3. BLU 4. BLK 5. N/C	Euro DC 1. BRN 2. WHT 3. BLU 4. BLK 5. GRY

Micro-Mini Tees and Accessories

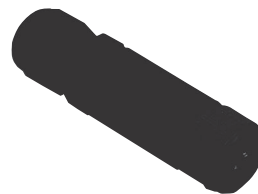
Micro-Mini AC Dual Key Field Attachables

Features:

- Field attachable connectors allow users to quickly repair damaged molded cordsets
- Allow users to create custom cordset lengths using their own cable
- Optional 316 stainless steel couplers support food and beverage applications
- Easy to use set screw terminals provide secure conductor to contact termination



AF4C1
Female AC Field Attachable



AF4B1
Male AC Field Attachable



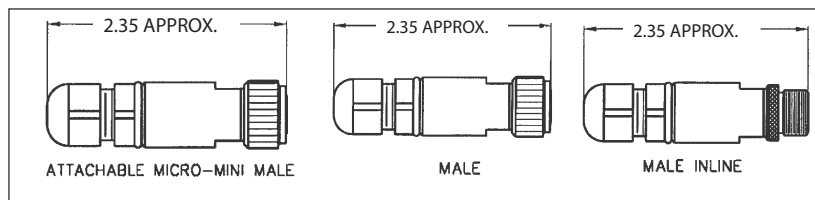
DF4C1
Female DC Field Attachable

Micro-Mini AC Dual Key Field Attachables

**2-Pole, 3-Pole, 4-Pole, 5-Pole:
5A / 300V**

2, 3, 4, 5 Conductor

- Female, male, and male in-line versions
- Crimp style contact design
- Meets current SAE #H1738-2 specifications

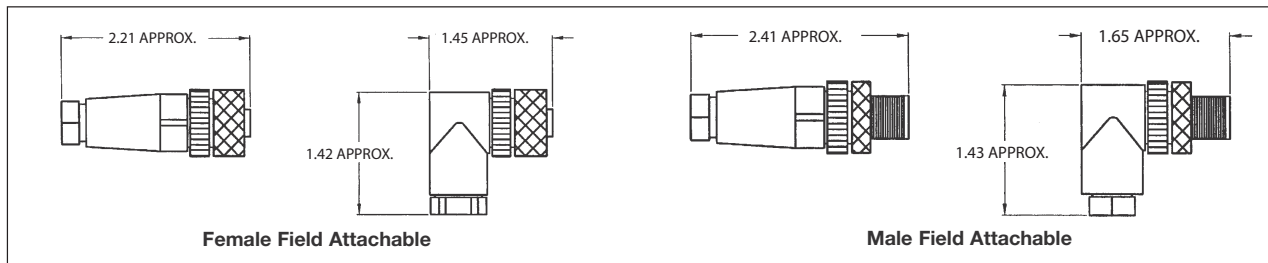


Micro-Mini DC Single Key Field Attachables

4-Pole: 4A / 300V; 5-Pole: 3A / 300V

4, 5 Conductor

- PG7 and PG9 thread (grommet) sizes
- Female and male in-line versions
- Straight and right angle configuration
- Terminal screw attachments
- Meets current SAE #H1738-2 specifications



AC Dual Key Pin Configurations and Color Coding:

Faces	2-Pole	3-Pole	4-Pole	5-Pole
Female Faces				
	2-Pole Dual Key AC	3-Pole Dual Key AC	4-Pole Dual Key AC	5-Pole Dual Key AC
Male Faces				
	2-Pole Dual Key AC	3-Pole Dual Key AC	4-Pole Dual Key AC	5-Pole Dual Key AC
Conductor Color Coding	Standard 1. BRN 2. BLU	Standard 1. GRN 2. RED/BLK 3. RED/WHT	Standard 1. RED/BLK 2. RED/WHT 3. RED 4. GRN	Standard 1. RED/WHT 2. RED 3. GRN 4. RED/YEL 5. RED/BLK

DC Single Key Pin Configurations and Color Coding:

Faces	4-Pole	5-Pole
Female Faces		
	4-Pole DC DIN	5-Pole DC DIN
Male Faces		
	4-Pole DC DIN	5-Pole DC DIN
Conductor Color Coding	Euro DC 1. BRN 2. WHT 3. BLU 4. BLK 5. N/C	Euro DC 1. BRN 2. WHT 3. BLU 4. BLK 5. GRY

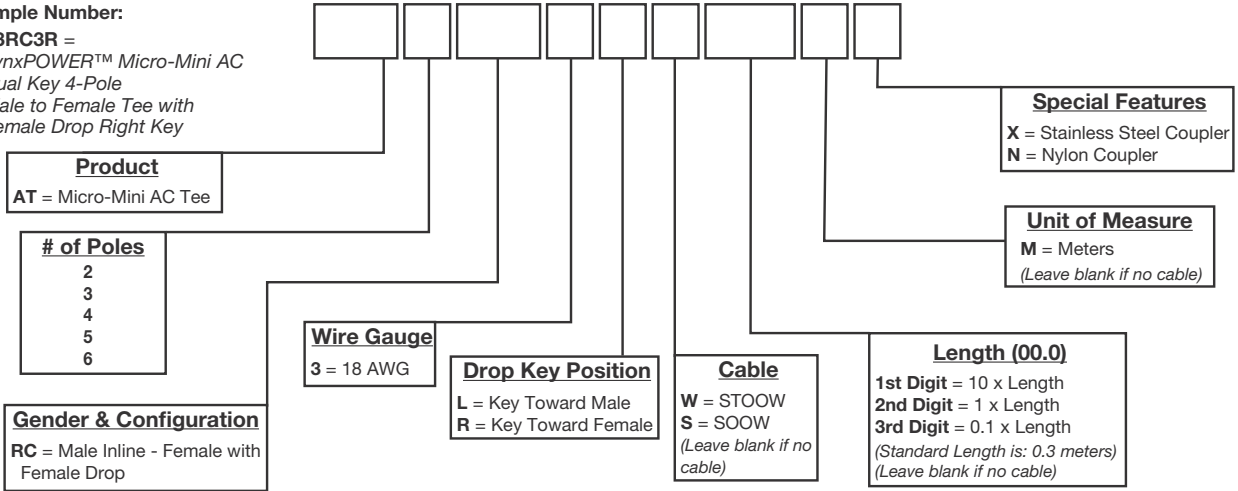
Micro-Mini Tees and Accessories

Micro-Mini AC Dual Key Tees Catalog Number Matrix:

Sample Number:

AT3RC3R =

LynxPOWER™ Micro-Mini AC
Dual Key 4-Pole
Male to Female Tee with
Female Drop Right Key

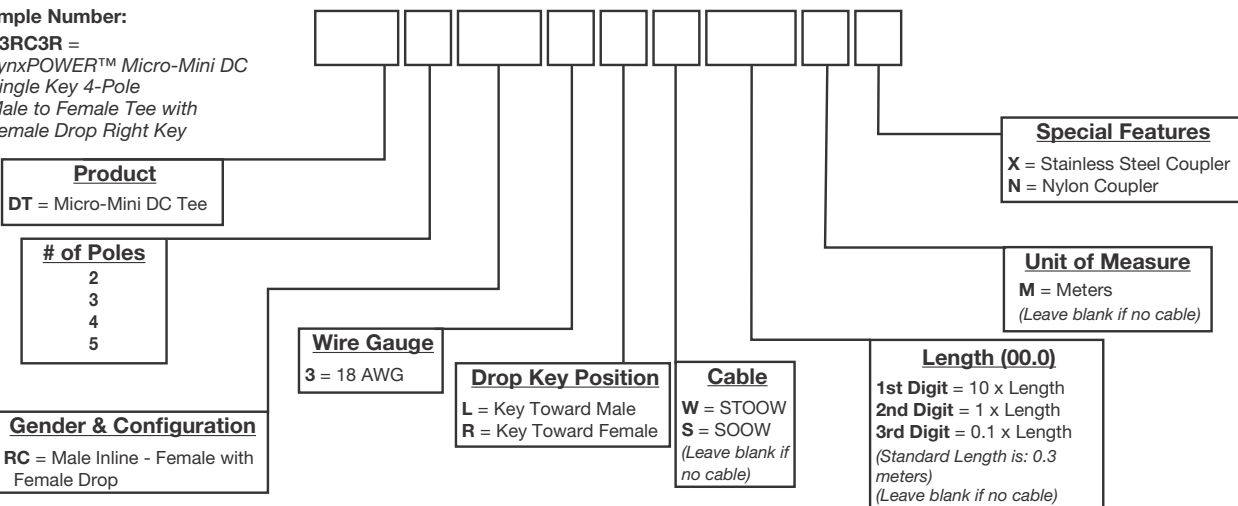


Micro-Mini DC Single Key Tees Catalog Number Matrix:

Sample Number:

DT3RC3R =

LynxPOWER™ Micro-Mini DC
Single Key 4-Pole
Male to Female Tee with
Female Drop Right Key



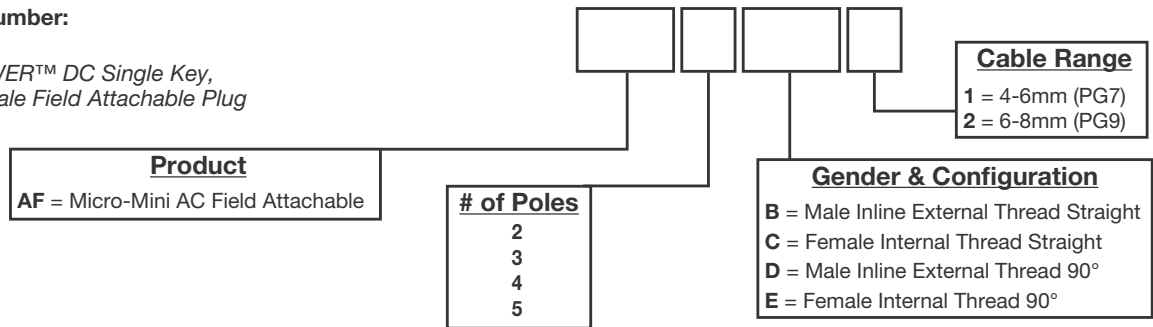
11P

Micro-Mini Tees and Accessories

Micro-Mini AC Dual Key Field Attachables Catalog Number Matrix:

Sample Number:

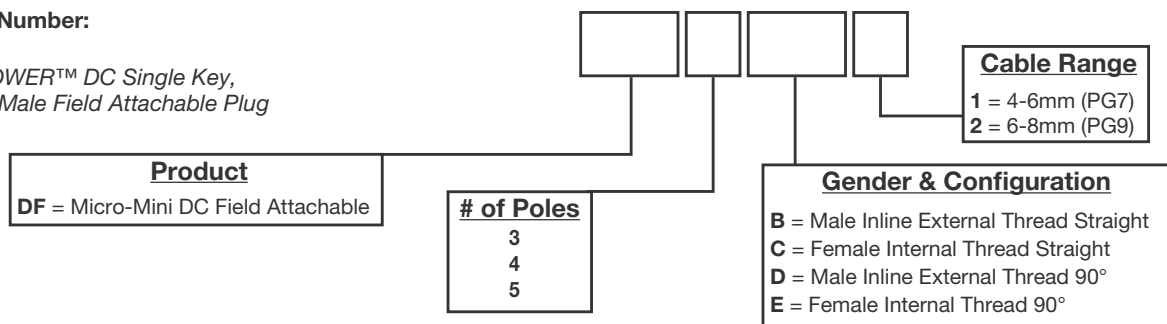
AF4B1 =
LynxPOWER™ DC Single Key,
4-Pole Male Field Attachable Plug



Micro-Mini DC Single Key Field Attachables Catalog Number Matrix:

Sample Number:

DF4B1 =
LynxPOWER™ DC Single Key,
4-Pole Male Field Attachable Plug



Ordering Information - Micro-Mini Accessories:

Micro-Mini AC Dual Key Caps

Description	Cat. #
Cap for Micro-Mini AC Dual Key Male Internal Thread	AMC
Cap for Micro-Mini AC Dual Key Female External Thread	AFC

Micro-Mini DC Single Key Caps

Description	Cat. #
Cap for Micro-Mini DC Single Key Male Internal Thread	DMC
Cap for Micro-Mini DC Single Key Female External Thread	DFC