

WSR, WSRD, WSRDW Interlocked Arktite® Receptacles with Enclosed Disconnect Switches

30, 60, 100A
NEMA 3, 3R, 4, 12
Raintight
Watertight
Corrosion-Resistant
UL and cUL Listed

WSR



Aluminum
NEMA 3R, 4, 12

WSRD



Sheet Metal
NEMA 3R, 12

WSRDW



Sheet Metal
Viewing Window
NEMA 3R, 12

Applications:

- The WSR and WSRD disconnect switches are used as a service outlet for portable or fixed electrical equipment – generators, compressors, welders, etc.
- They are designed for use in non-hazardous areas where dust, moisture and corrosion may be a problem.
- Designed for flush or surface mounting.
- A fusible type switch, when used, also provides short circuit protection.

Features:

WSR and WSRD/WSRDW:

- Switches are NEMA type HD heavy duty 3-pole, with visible blades; a quick make-and-break mechanism with reinforced, positive pressure type blade and jaw construction. Fusible types have fuse clips with steel reinforcing springs of positive pressure type. Pressure connectors are used for wire connectors.
- For maximum safety, the spring door receptacle at the bottom of the unit is mechanically interlocked with the switch operating mechanism. The switch *cannot be closed* until the plug is fully inserted and the plug *cannot be withdrawn or inserted* unless the switch is open. With the switch open, *accidental plug withdrawal is prevented* by the interlock mechanism. Withdrawal can only be accomplished by activation of the interlock release lever located on the receptacle.
- Enclosures are compact and rectangular in shape with a gasketed, hinged door.
- Enclosure, handle and other exterior parts are corrosion resistant.

- The switch enclosure covers are interlocked with the body and operating mechanism and cannot be opened when the plug is engaged and the switch is closed ("ON"). When the switch is *open*, the switch *cannot* be put in a closed ("ON") position with the door open.

WSR:

- Mounting lugs may be rotated 90° or moved to the vertical centerline portion for pole mounting.
- Side hinged covers are retained in a closed position by compression spring draw-pull catches, which permit the opening or closing of the cover without tools.
- The switch operating handle may be padlocked in the "ON" or "OFF" position, thereby preventing unauthorized operation of the switch and/or opening of the enclosure. Up to three padlocks may be used. In addition, a unique hinge arrangement has been devised to allow the door of the unit to be padlocked. This feature allows operation while preventing unqualified or unauthorized entry.

Certifications and Compliances:

WSR:

- NEMA 3R, 4, 12 (enclosure)
- UL Standard 98
- cUL Standard C22.2 No. 4

WSRD/WSRDW:

- NEMA 3R, 12
- UL Standard 98
- cUL Standard C22.2 No. 4

Standard Materials:

WSR and WSRD/WSRDW:

- Receptacle housings and plug exteriors – copper-free aluminum
- Insulation (plug and receptacle) – fiberglass-reinforced polyester
- Pressure contacts – brass
- Crimp/solder contacts – leaded red brass

WSR:

- Enclosure – copper-free aluminum
- Operating handle – copper-free aluminum
- Other exterior parts – stainless steel

WSRD/WSRDW:

- Enclosure – sheet steel
- Operating handle – sheet steel
- Other exterior parts – stainless steel

Standard Finishes:

- Copper-free aluminum – WSR enclosure, plug exteriors – natural
- Leaded red brass – electro-tin-plate
- Brass – natural
- Sheet steel – baked grey enamel
- Fiberglass-reinforced polyester – natural (red)

Electrical Rating Ranges:

- 3 and 4 pole; fusible or non-fusible; 240 VAC, 250 VDC; 600 VAC
- 30, 60, 100 amperes
- 7½ to 75 HP

Options:

Description	Suffix
• Interiors rotated 22½° to the right (viewed from face).....	S4
• Auxiliary switch, 600 VAC-DC heavy duty pushbutton station rating, can be supplied, and its contacts will close after safety switch contacts open and close before safety switch opens.....	S483

Crouse-Hinds
by **F.T.M.**

WSR, WSRD, WSRDW Interlocked Arktite® Receptacles with Enclosed Disconnect Switches

30, 60, 100A
NEMA 3, 3R, 4, 12
Raintight
Watertight
Corrosion-Resistant
UL and cUL Listed

3P

APJ/NPJ Plugs

System	Amps	Conduit Opening Sizes§	WSR			WSRD†■ For viewing window see note 2			
			240VAC 600VAC 250VDC Cat. #	Max. HP Rating 240VAC	Max. HP Rating 480VAC	Max. HP Rating 600VAC	600VAC 250VDC Cat. #	Max.† HP Rating 480VAC	Max.† HP Rating 600VAC
3-Wire, 3-Pole Style 1, Fusible	30	1	WSR3351*	7½	15	20	WSRD3351*	15	20
	60	1¼	WSR6351*	15	30	50	WSRD6351*	30	50
	100	1½	WSR10351*	30	60	75	WSRD10351*	60	75
3-Wire, 4-Pole Style 2, Fusible	30	1	WSR3352*	7½	15	20	WSRD3352*	15	20
	60	1¼	WSR6352*	15	30	50	WSRD6352*	30	50
	100	1½	WSR10352*	30	60	75	WSRD10352*	60	75
3-Wire, 3-Pole Style 1, Non-fusible	30	1	WSR33541	7½	15	20	WSRD33541	15	20
	60	1¼	WSR63541	15	30	50	WSRD63541	30	50
	100	1½	WSR103541	30	60	75	WSRD103541	60	75
3-Wire, 4-Pole Style 2, Non-fusible	30	1	WSR33542	7½	15	20	WSRD33542	15	20
	60	1¼	WSR63542	15	30	50	WSRD63542	30	50
	100	1½	WSR103542	30	60	75	WSRD103542	60	75

*Arranged for NEC Class H fuses. May be field converted to NEC Class J fuses.

§Furnished with reducer which may be removed to obtain one size larger opening. Locknut and bushing used must meet NEC requirements (WSR only).

†Ratings of unfused and fusible switches with time delay fuses.

■ Viewing window – add "W" to prefix, i.e.: WSRDW6352.

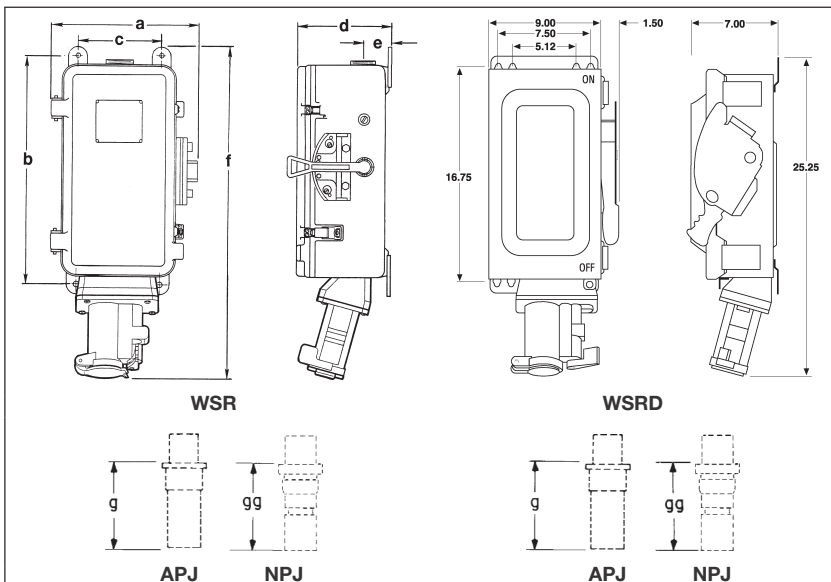
‡Conduit entrances not furnished.

APJ/NPJ Plugs

Amps	Max. Volts	Outside Dia. of Cable, Flexible Conduit or Armored Cable	Style 1†† 3-wire, 3-pole Cat. #	Style 2†† 3-wire, 4-pole Cat. #
30	250 DC	0.60 to 1.20	APJ3375	APJ3485 NPJ3483 NPJ3484
	600 AC	0.55 to .070 0.70 to 0.85		
60	250 DC	0.75 to 1.45	APJ6375	APJ6485 NPJ6484 NPJ6485
	600 AC	0.75 to 1.07 1.07 to 1.35		
100	250 DC	1.00 to 1.70	APJ10377	APJ10487 NPJ10486 NPJ10487
	600 AC	0.93 to 1.21 1.21 to 1.50		

††Style 1 - Grounded through shell. Style 2 - Grounded through extra pole and shell. For a detailed description of these grounding methods, see pages 1312-1313.

Dimensions In Inches:



WSR

Dims.	30 Amps	60 Amps	100 Amps
a	11¼	11¼	14⅞
b	20⅞	20⅞	26⅞
c	6⅞	6⅞	9⅞
d	7¼	7¼	8¼
e	2⅞	2⅞	2⅞
f	27⅞	28⅞	35⅞
g	4¾	5¼	7¼
gg	7	6⅞	7¾
Mtg. Holes	⅜	⅜	⅞

Dim. "g" and "gg" are exposed portion of plug when engaged with receptacle.

WSRD

Dims.	60 Amps
g	5⅞
gg	6⅞
Mtg. Holes	⅞

Dim. "g" and "gg" are exposed portion of plug when engaged with receptacle.



3P

Arktite® WSRD SM S901 Stainless Steel Interlocked Receptacles

Fused and Non-fused

30, 60 and 100 Amp
Enclosure Type 3, 4, 4X, 12
IP66
UL and cUL Listed

Watertight
Corrosion-Resistant

WSRD SM S901 Series Stainless Steel Arktite® Interlocked Receptacles

Eaton's Crouse-Hinds Arktite Stainless Steel Interlocks prevent engagement and disengagement of the plug under load, providing safe portable connections and extended product life.

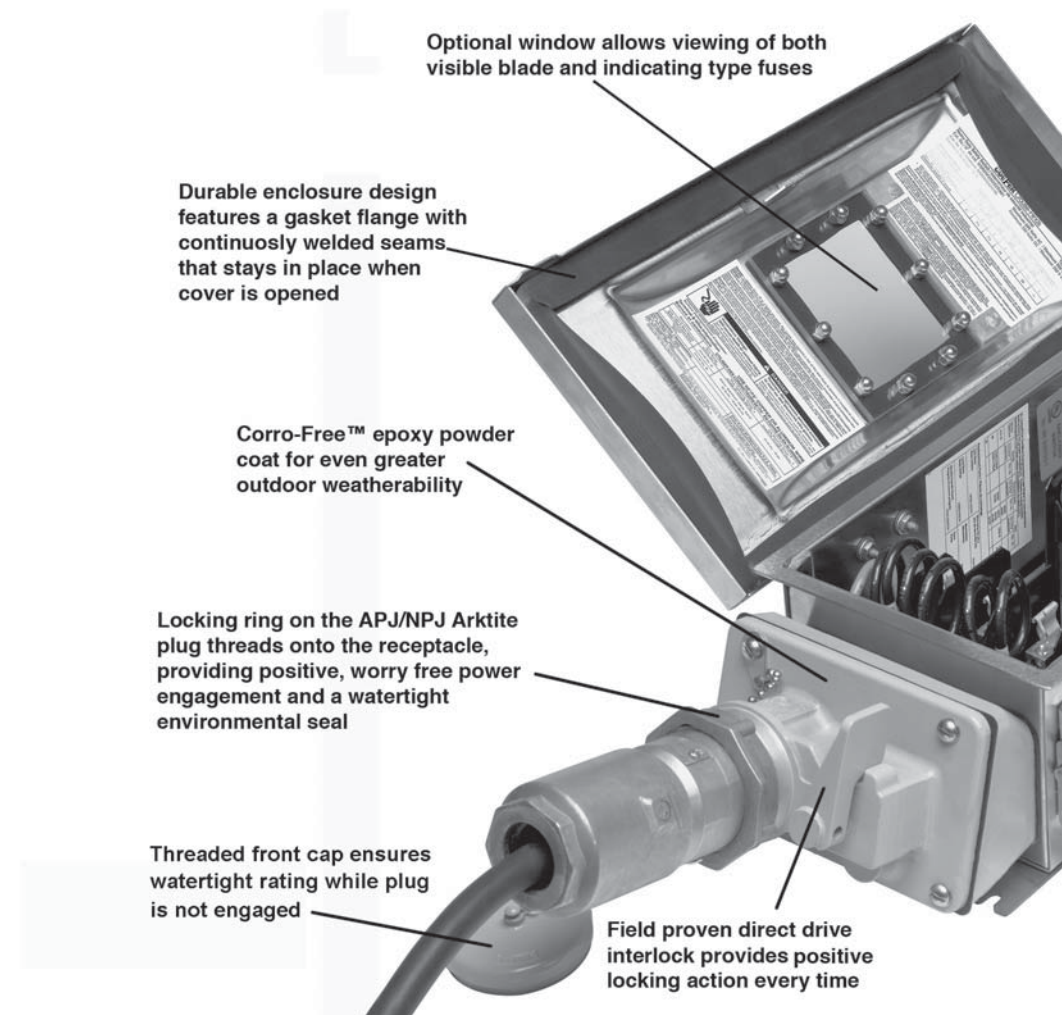
Available in 30–100 Amp in both fused and non-fused versions, the Stainless Steel Interlock is rated Enclosure Type 4X watertight and features an optional viewing window.

Arktite Stainless Steel Interlocked Receptacles:

- Supply power to portable or fixed electrical equipment such as welders, compressors, conveyors, portable tools, lighting systems and similar equipment.
- Are used in damp or corrosive locations.
- Are ideal for use in wet locations and hosedown areas.



3P



Optional window allows viewing of both visible blade and indicating type fuses

Durable enclosure design features a gasket flange with continuously welded seams that stays in place when cover is opened

Corro-Free™ epoxy powder coat for even greater outdoor weatherability

Locking ring on the APJ/NPJ Arktite plug threads onto the receptacle, providing positive, worry free power engagement and a watertight environmental seal

Threaded front cap ensures watertight rating while plug is not engaged

Field proven direct drive interlock provides positive locking action every time

Additional Features and Benefits:

- Heavy duty Arktite receptacle is compatible with existing Eaton's Crouse-Hinds Arktite plugs of same rating and configuration
- Self-wiping, naval brass contacts in receptacle assure reliable performance and long, dependable life
- Stainless steel interior hardware
- Ground bar supplied as standard and connected to 4th wire in receptacle
- UL and cUL Listed

Ordering Information: 3-Pole, 4-Wire, 600 VAC

Amps	Cat. #	Description	Weight (lbs.)	Eaton's Crouse-Hinds Mating Arktite Plug Cat. #
30	WSRDW3352 SM S901	Fused with Window	24	APJ3485 & NPJ3484
30	WSRD33542 SM S901	Non-fused	22	APJ3485 & NPJ3484
30	WSRDW33542 SM S901	Non-fused with Window	22	APJ3485 & NPJ3484
60	WSRDW6352 SM S901	Fused with Window	30	APJ6485 & NPJ6485
60	WSRD63542 SM S901	Non-fused	29	APJ6485 & NPJ6485
60	WSRDW63542 SM S901	Non-fused with Window	29	APJ6485 & NPJ6485
100	WSRDW10352 SM S901	Fused with Window	36	APJ10487 & NPJ10487
100	WSRD103542 SM S901	Non-fused	35	APJ10487 & NPJ10487
100	WSRDW103542 SM S901	Non-fused with Window	35	APJ10487 & NPJ10487

Crouse-Hinds
by **EATON**

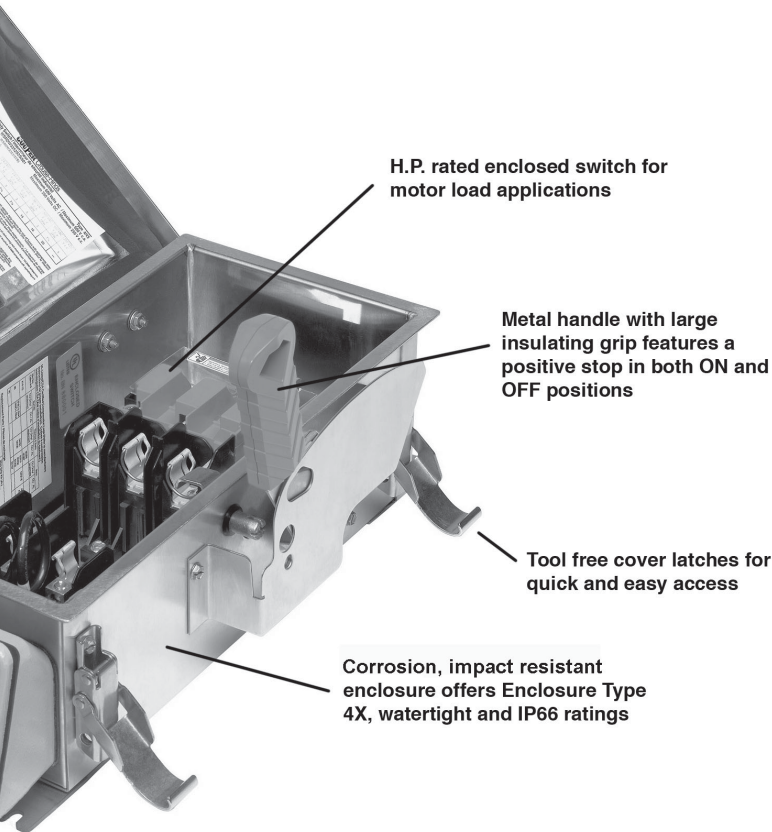
Arktite® WSRD SM S901 Stainless Steel Interlocked Receptacles

Fused and Non-fused

30, 60 and 100 Amp
Enclosure Type 3, 4, 4X, 12
IP66
UL and cUL Listed

Watertight
Corrosion-Resistant

3P



H.P. rated enclosed switch for motor load applications

Metal handle with large insulating grip features a positive stop in both ON and OFF positions

Tool free cover latches for quick and easy access

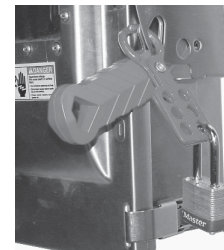
Corrosion, impact resistant enclosure offers Enclosure Type 4X, watertight and IP66 ratings



Optional window allows viewing of both visible blade and indicating type fuses.



Plug locks into receptacle, providing positive, worry-free power engagement as well as watertight protection.



Complies with OSHA lockout/tagout requirements.

Certifications and Compliances:

- UL Listed – (UL Standards 98, 1682)
- cUL Listed (Certified by UL to CSA Standards C22.2 Nos. 4, 182.1)
- Enclosure Type 3, 4, 4X, 12
- IP66 Enclosure

Standard Materials:

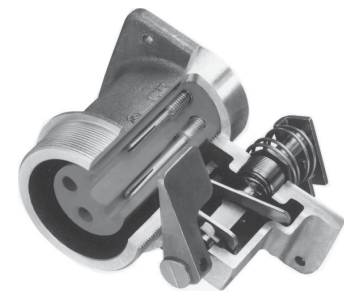
- Enclosure – Type 304 stainless steel
- Hardware – stainless steel
- Receptacle Housing – aluminum
- Power Contacts – naval brass
- Interlock Mechanism – stainless steel

Standard Finishes:

- Stainless Steel – natural
- Aluminum – Corro-free™ epoxy powder
- Brass – natural

Options:

Description	Suffix
• Factory Installed Auxiliary Contacts.....	S483
• Rotated Interior (22½° to right).....	S4



Heavy-duty, epoxy coated cast aluminum receptacle with stainless steel interlocking mechanism for superior durability and corrosion resistance.

3P

3P Arktite® WSRD SM S901 Stainless Steel Interlocked Receptacles Fused and Non-fused

30, 60 and 100 Amp
Enclosure Type 3, 4, 4X, 12
IP66
UL and cUL Listed

Watertight
Corrosion-Resistant

Horsepower Ratings

Cat. #	Amps	Fusing	240 VAC (1 PH)	240 VAC (3 PH)	480 VAC (1 PH)	480 VAC (3 PH)	600 VAC (1 PH)	600 VAC (3 PH)	250 VDC
WSRD33542 SM S901	30	Non-fused	5	10	7.5	20	10	30	5
WSRDW33542 SM S901	30	Non-fused	5	10	7.5	20	10	30	5
WSRDW3352 SM S901	30	Fused	1.5 (3)	3 (7.5)	3 (7.5)	5 (15)	3 (10)	7.5 (20)	5
WSRD63542 SM S901	60	Non-fused	10	20	20	50	25	60	10
WSRDW63542 SM S901	60	Non-fused	10	20	20	50	25	60	10
WSRDW6352 SM S901	60	Fused	3 (10)	7.5 (15)	5 (20)	15 (30)	10 (25)	15 (50)	10
WSRD103542 SM S901	100	Non-fused	15	40	30	75	40	100	20
WSRDW103542 SM S901	100	Non-fused	15	40	30	75	40	100	20
WSRDW10352 SM S901	100	Fused	7.5 (15)	15 (30)	10 (30)	25 (60)	15 (40)	30 (75)	20

Note:

Values for Non-Fused units are maximum horsepower.

Values for Fused units are standard horsepower with standard fuse and (maximum horsepower with time delay).

Dimensions

In Inches:

