

**3P**

# WSQC Interlocked Arktite® Receptacles with Enclosed Switches APJ Plugs

30 and 60A  
600 VAC  
NEMA 3R, 12

Raintight  
Dust-tight

## Applications:

WSQC dead front interlocked receptacles with APJ, NPJ, BP or FP plugs are used:

- To supply power to portable electrical equipment such as hand lamps, lighting systems, power tools, conveyors, welders, compressors, etc.
- In damp, wet or corrosive locations
- Indoors or outdoors in non-hazardous areas
- In locations where mounting area is confined and compact equipment is required

## Features:

- NEMA 3R, 12
- Rainproof, dust-tight
- Available in 30 and 60 amps
- Horsepower rated switch
- Smallest footprint for interlocked receptacles
- Padlockable in OFF position; meets OSHA lockout/tagout requirements
- Compatible with Arktite® APJ aluminum and NPJ Krydon® material non-metallic plugs

## Certifications and Complies:

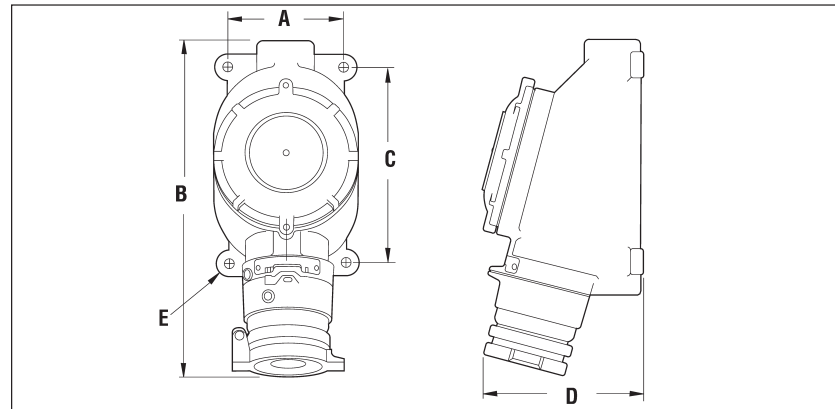
- NEMA 3R, 12
- CSA Standard: C22.2 No. 14, 182.1
- UL and cUL Listed

## Standard Materials:

- Enclosure – copper-free aluminum
- Cover and spring door – copper-free aluminum
- Insulator – Krydon® material
- Contacts – brass
- Cover gasket – neoprene



## Dimensions In Inches:



Amps	A	B	C	D	E
30A	3 <sup>1</sup> / <sub>8</sub>	9 <sup>3</sup> / <sub>4</sub>	—	5 <sup>3</sup> / <sub>4</sub>	3 <sup>3</sup> / <sub>8</sub>
60A	5	14 <sup>7</sup> / <sub>16</sub>	8 <sup>1</sup> / <sub>2</sub>	7	1 <sup>9</sup> / <sub>32</sub>

## Horsepower Ratings:

Amps	Single Phase				Three Phase			
	120V	240V	480V	600V	120V	240V	480V	600V
30A	2	5	7 <sup>1</sup> / <sub>2</sub>	7 <sup>1</sup> / <sub>2</sub>	3	7 <sup>1</sup> / <sub>2</sub>	15	15
60A		10	25	30		10	25	30

## Ordering Information:

Amps	Hub	Config.	Cat. #
30A	3/4"	2W3P	WSQC2330
	1"	2W3P	WSQC3330
	3/4"	3W4P	WSQC2340
	1"	3W4P	WSQC3340
60A	1 1/2"	2W3P	WSQC5630
	1 1/2"	3W4P	WSQC5640

## Options:

### Description

- Interior rotated 22<sup>1</sup>/<sub>2</sub>° to the right (viewed from face).....S4  
ex: WSQC5640 S4

### Suffix

**Crouse-Hinds**  
by **F.T.N**