

# NBR Arktite® Interlocked Receptacles with Enclosed Circuit Breakers

NEMA 3, 3R, 4\*, 4X\*, 12  
Watertight  
Corrosion-Resistant

**3P**

## APJ/NPJ Arktite Plugs

### Applications:

NBR *Arktite* interlocked receptacles with enclosed circuit breakers are used:

- To supply power and provide short circuit protection, thermal overload protection, and a disconnect means for portable electrical equipment such as motor generator sets, compressors, conveyors, and other similar equipment
- In locations where corrosion is present such as in offshore and marine locations, pulp and paper mills, chemical plants, food processing, and sewage treatment plants
- Indoors and outdoors in damp, wet or hosedown locations

### Features:

- Enclosures are made of *Krydon*® high impact strength fiberglass-reinforced polyester material having excellent resistance to corrosion and heat
- Receptacles are mechanically interlocked with circuit breakers which provide a disconnect means, short circuit protection, and thermal time delay overload protection
- For maximum safety, the spring door receptacle at the bottom is mechanically interlocked with the circuit breaker operating mechanism. The circuit breaker cannot be closed until the plug is fully inserted and the plug cannot be withdrawn unless the breaker is open
- Enclosure has hinged access door for easy wiring and maintenance. Three screws, hidden behind access door in door frame, prevent disassembly when door is locked
- Enclosure access door is mechanically interlocked with operating handle and cannot be opened unless operating handle operator is in "OFF" position
- A *Krydon* material hub (not mounted) is supplied with each enclosure as follows:

Rating	Hub Size (In.)	Cat. #
30A	3/4	NHUB2
60A	1 1/4	NHUB4
100A	2	NHUB6

For alternate hub sizes, see page 677

- Receptacle has self-closing spring door assembly to provide environmental protection
- Operating handle can be padlocked in "OFF" position. Breaker is trip-free of handle and will open under short circuit or overload when handle is in the "ON" position
- Provided with top and bottom mounting feet which may be rotated 90° to vertical or horizontal mounting positions

### Certifications and Compliances:

- NEMA 3, 3R, 4\*, 4X\*, 12
- ANSI/UL Standard: 489
- UL Standard: 1682
- CSA

### Standard Materials:

- Enclosure, covers and operating handles – *Krydon* fiberglass-reinforced polyester material
- Operating shafts – stainless steel
- Receptacle housings – copper-free aluminum
- Receptacle insulators – *Krydon* material
- Crimp/solder contacts – leaded red brass

### Standard Finishes:

- Copper-free aluminum – baked on powder epoxy
- Stainless steel – natural
- Enclosure – natural
- Receptacle insulators – natural (red)
- Brass – natural
- Leaded red brass – electro-tin-plated

### Electrical Rating Range:

- Receptacles – 30, 60 and 100 amperes
- Circuit Breakers – 100 ampere frame size

**Note:** For additional dimensional data, see page 510, enclosure catalog number NCB1024.

### Options:

**Description** Special polarity – for use where two or more receptacles of the same ampere rating, style and number of poles are to be installed on the same premises for use of different voltages. Receptacle interior rotated 22 1/2° to right (viewed from face) and plug changed to match ..... **S4**



### Interchangeability of Plugs With Other Non-hazardous and Hazardous Location Receptacles:

- Plugs listed for use with NBR assemblies are standard *Arktite* APJ/NPJ plugs. Other standard APJ/NPJ and CPH plugs of the same rating, style and number of poles may be used with NBR receptacles, as well as EBBR, EPC and EPCB receptacles listed in Section 4P
- Portable equipment, suitable for the locations and equipped with the proper plug, can be used with non-hazardous rated AR receptacles, DBR and WSR interlocked receptacles located in non-hazardous locations, with EBBR, EPC and EPCB receptacles for Class I, Groups B, C, D hazardous locations, with DR and DBR interlocked receptacles for Class II, Groups F, G hazardous locations, and with NBR/NSR interlocked receptacles for wet and corrosive locations

\*30 and 60A Style 2 only.



# 3P NBR Arktite® Interlocked Receptacles with Enclosed Circuit Breakers

3-Pole, 600 VAC  
NEMA 3, 3R, 4, 4X, 12  
Watertight  
Corrosion-Resistant

## APJ/NPJ Arktite Plugs▲

### 100 Ampere Frame Size with Non-interchangeable Trip‡§

Receptacle With Spring Door Housing	Hub Size (In.)	Ckt. Brkr. Amps	Without Circuit Breaker Cat. #	With Cutler-Hammer Circuit Breaker Cat. #
<b>Style 1†</b>				
30 amp., 3-wire, 3-pole	¾	20	<b>NBR53731</b>	<b>NBR53731 WT20 3</b>
		30		<b>NBR53731 WT30 3</b>
		40		<b>NBR53731 WT40 3*</b>
		50		<b>NBR53731 WT50 3*</b>
60 amp., 3-wire, 3-pole	1¼	50	<b>NBR56731</b>	<b>NBR56731 WT50 3</b>
		60		<b>NBR56731 WT60 3</b>
		70		<b>NBR56731 WT70 3*</b>
		90		<b>NBR56731 WT90 3*</b>
100	<b>NBR56731 WT100 3*</b>			
100 amp., 3-wire, 3-pole	2	60	<b>NBR51731</b>	<b>NBR51731 WT60 3</b>
		70		<b>NBR51731 WT70 3</b>
		90		<b>NBR51731 WT90 3</b>
		100		<b>NBR51731 WT100 3</b>
<b>Style 2†</b>				
30 amp., 3-wire, 4-pole	¾	20	<b>NBR53742</b>	<b>NBR53742 WT20 3</b>
		30		<b>NBR53742 WT30 3</b>
		40		<b>NBR53742 WT40 3*</b>
		50		<b>NBR53742 WT50 3*</b>
60 amp., 3-wire, 4-pole	1¼	50	<b>NBR56742</b>	<b>NBR56742 WT50 3</b>
		60		<b>NBR56742 WT60 3</b>
		70		<b>NBR56742 WT70 3*</b>
		90		<b>NBR56742 WT90 3*</b>
100	<b>NBR56742 WT100 3*</b>			
100 amp., 3-wire, 4-pole	2	60	<b>NBR51742</b>	<b>NBR51742 WT60 3</b>
		70		<b>NBR51742 WT70 3</b>
		90		<b>NBR51742 WT90 3</b>
		100		<b>NBR51742 WT100 3</b>

\*Circuit breaker trip rating may exceed receptacle rating for welding equipment applications only, as higher trip rating may not protect wiring.

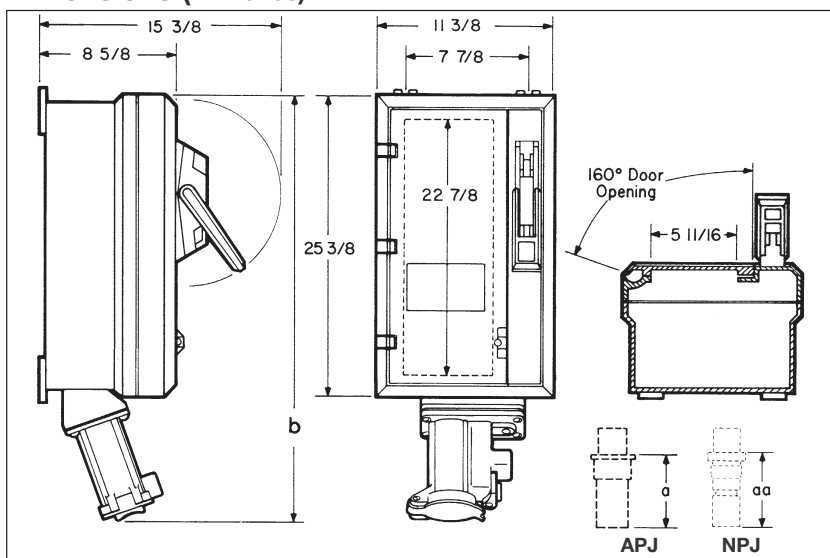
†Style 1 – Grounded through shell. Style 2 – Grounded through extra pole and shell. For a detailed description of these grounding methods, see page 1314.

§Also available with interchangeable trip breakers. Specify on order.

‡ For detailed information on circuit breaker selection, see Section 3C.

▲ Pressure connectors are standard. Crimp/solder type terminators are optionally available for 3 and 4-pole 30, 60 and 100 ampere. For details, see page 1316. To specify, add the suffix "T" to the catalog number. For example: APJ3375-T (Plug).

### Dimensions (In Inches):



### APJ/NPJ Plugs 600 VAC With Cable Grip and Neoprene Bushing



APJ



NPJ

Amps	Cable O.D. Range	Style 1† 3-wire, 3-pole Cat. #	Style 2† 3-wire, 4-pole Cat. #
30	0.60 to 1.20	<b>APJ3375</b>	<b>APJ3485</b>
	0.55 to 0.70		<b>NPJ3483</b>
	0.70 to 0.85		<b>NPJ3484</b>
60	0.75 to 1.45	<b>APJ6375</b>	<b>APJ6485</b>
	0.75 to 1.07		<b>NPJ6484</b>
	1.07 to 1.35		<b>NPJ6485</b>
100	1.00 to 1.70	<b>APJ10377</b>	<b>APJ10487</b>
	0.93 to 1.21		<b>NPJ10486</b>
	1.21 to 1.50		<b>NPJ10487</b>

Amps	b	a	aa
30	31 <sup>3</sup> / <sub>8</sub>	4 <sup>13</sup> / <sub>16</sub>	7
60	33	5 <sup>19</sup> / <sub>16</sub>	6 <sup>13</sup> / <sub>16</sub>
100	33 <sup>3</sup> / <sub>4</sub>	6 <sup>5</sup> / <sub>8</sub>	7 <sup>3</sup> / <sub>4</sub>

Dim. "a" and "aa" are exposed portion of plug when engaged with receptacle.

**Crouse-Hinds**  
by **E.T.M.**

# NSR Arktite® Interlocked Receptacles With Enclosed Disconnect Switches

NEMA 3, 3R, 4\*, 4X\*, 12  
Watertight  
Corrosion-Resistant

**3P**

## APJ/NPJ Arktite Plugs

### Applications:

NSR *Arktite* interlocked receptacles with enclosed disconnect switches are used:

- To provide a power disconnect for fixed or portable electrical equipment such as welders, generators and compressors where the switch will be subject to frequent operation
- To provide short circuit protection when a fusible switch is needed
- In non-hazardous indoor or outdoor areas where corrosion, dust, hosedown and moisture may be a problem such as in offshore and marine locations, pulp and paper mills, chemical plants, sewage treatment plants and food processing facilities

### Features:

- Enclosures are made of *Krydon*® high impact strength fiberglass-reinforced polyester material having excellent resistance to corrosion and heat
- Switches are NEMA type HD heavy duty 3-pole, enclosed blade; a quick make-and-break mechanism with reinforced, positive pressure type blade and jaw construction. Fusible switches have fuse clips with steel reinforcing springs
- For maximum safety, the spring door receptacle at the bottom is mechanically interlocked with the switch operating mechanism. The switch cannot be closed until the plug is fully inserted and the plug cannot be withdrawn unless the switch is open
- Switch enclosure access door is mechanically interlocked with switch and cannot be opened unless switch operator is in "OFF" position
- Enclosure has hinged access door for easy wiring and maintenance. Three screws, located behind access door in door frame, prevent disassembly when door is locked
- A *Krydon* material hub (not mounted) is supplied with each enclosure as follows:

Rating	Hub Size (In.)	Cat. #
30A	3/4	<b>NHUB2</b>
60A	1 1/4	<b>NHUB4</b>
100A	2	<b>NHUB6</b>

For alternate hub sizes, see page 677

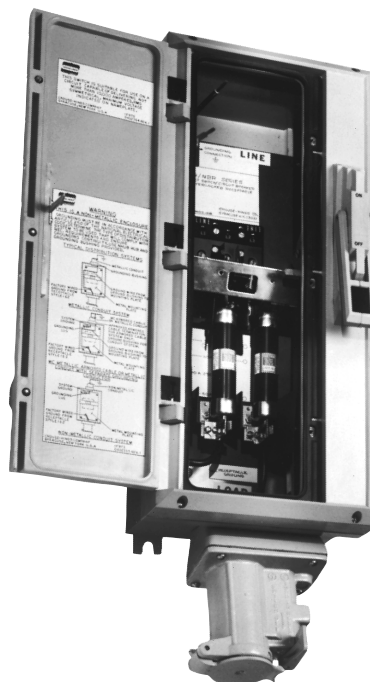
- Receptacle has self-closing spring door assembly to provide environmental protection
- Mounting feet may be rotated 90° to horizontal or vertical mounting positions
- Switch operating handle may be padlocked in the "OFF" position, preventing unauthorized operation of the switch

### Certifications and Compliances:

- NEMA 3, 3R, 4\*, 4X\*, 12
- UL Standard: 1682, 98

### Crouse-Hinds

by **EATON**



### Interchangeability of Plugs With Other Non-hazardous and Hazardous Location Receptacles:

- Plugs listed for use with NSR assemblies are standard *Arktite* APJ/NPJ plugs. Other standard APJ/NPJ and CPH plugs of the same rating, style and number of poles may be used with NSR receptacles, as well as with EBBR, EPC and EPCB receptacles listed in Section 4P
- Portable equipment, suitable for the locations and equipped with the proper plug, can be used with non-hazardous rated AR receptacles, DBR and WSR interlocked receptacles located in non-hazardous locations, with EBBR, EPC and EPCB receptacles for Class I, Groups B, C, D hazardous locations, with DR and DBR interlocked receptacles for Class II, Groups F, G hazardous locations, and with NBR/NSR interlocked receptacles for wet and corrosive locations

### Standard Materials:

- Receptacle housings – copper-free aluminum
- Insulators (plug and receptacle) – *Krydon* material
- Crimp/solder contacts – leaded red brass
- Enclosure and operating handle – *Krydon* fiberglass-reinforced polyester material
- Other exterior parts – stainless steel

### Standard Finishes:

- Copper-free aluminum – baked-on powder epoxy
- Stainless steel – natural
- Leaded red brass – electro-tin-plated
- Enclosure – natural (gray)
- Insulator (plug and receptacle) – natural (red)

### Options:

Description	Suffix
Special polarity – for use where two or more receptacles for the same ampere rating, style and number of poles are to be installed in the same area for use on different voltages. Receptacle interior rotated 22 1/2° to right (viewed from face) and matching plug .....	<b>S4</b>

Hubs for other conduit sizes can be supplied. See page 677.

\*30 and 60A Style 2 only.



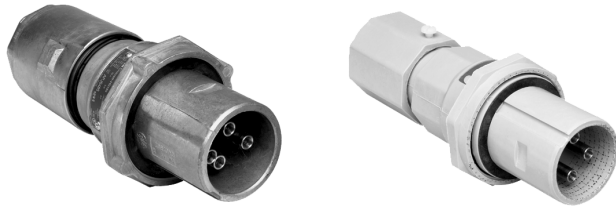
# 3P NSR Arktite® Interlocked Receptacles With Enclosed Disconnect Switches

240 and 600 VAC  
250 VDC  
NEMA 3, 3R, 4, 4X, 12  
Watertight  
Corrosion-Resistant

## APJ/NPJ Arktite Plugs††

Amps	Conduit Opening Sizes§	240VAC/250VDC				600VAC/250VDC			
		Style 1† 3-wire, 3-pole Cat. #	Style 2† 3-wire, 4-pole Cat. #	AC HP Rating	DC HP Rating	Style 1† 3-wire, 3-pole Cat. #	Style 2† 3-wire, 4-pole Cat. #	AC HP Rating	DC HP Rating
<b>Fusible</b>									
30	3/4	NSR331†	NSR332†	3	5	NSR3351*	NSR3352*	7 1/2	5
60	1 1/4	NSR631†	NSR632†	5	10	NSR6351*	NSR6352*	20	10
100	2	NSR1031†	NSR1032†	10	20	NSR10351*	NSR10352*	30	20
<b>Non-Fusible</b>									
30	3/4	NSR3341	NSR3342	7 1/2	5	NSR33541	NSR33542	20	5
60	1 1/4	NSR6341	NSR6342	20	10	NSR63541	NSR63542	50	10
100	2	NSR10341	NSR10342	30	20	NSR103541	NSR103542	75	20

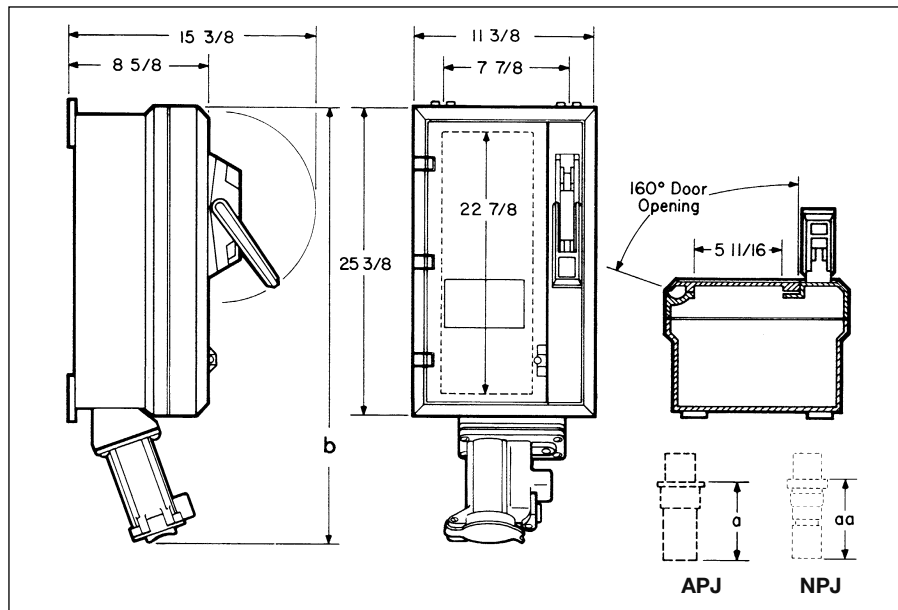
### APJ/NPJ Plugs 600VAC/250VDC, with Cable Grip and Neoprene Bushing



Amps	Cable O.D. Range	Style 1† 3-wire, 3-pole Cat. #	Style 2† 3-wire, 4-pole Cat. #
30	0.60 to 1.20	APJ3375	APJ3485
	0.55 to 0.70		NPJ3483
	0.70 to 0.85		NPJ3484
60	0.75 to 1.45	APJ6375	APJ6485
	0.75 to 1.07		NPJ6484
	1.07 to 1.35		NPJ6485
100	1.00 to 1.70	APJ10377	APJ10487
	0.93 to 1.21		NPJ10486
	1.21 to 1.50		NPJ10487

\*Arranged for NEC Class H fuses. May be field converted to NEC Class J fuses.  
†Fuse clips accommodate NEC Class H fuses. For NEC Class J fuses, use 600V switches.  
†Style 1 – Grounded through shell. Style 2 – Grounded through extra pole and shell. For a detailed description of these grounding methods, see page 1314.  
§For alternate hub sizes, refer to catalog page 856.  
††Pressure connectors are supplied as standard. To specify crimp/solder type terminators add the suffix "T" to the catalog number. For example: APJ3375-T (Plug).

### Dimensions In Inches:



Amps	b	a	aa
30	3 1/8	4 13/16	7
60	33	5 13/16	6 13/16
100	33 3/4	6 5/8	7 3/4

Dim. "a" and "aa" are exposed portion of plug when engaged with receptacle.