

1P

AR Arktite® Circuit Breaking Round Flange Receptacle Housings for Panel Mounting

Weatherproof
For use with APJ and AP Plugs

30/60/100/200 A, 600 VAC/250 VDC

Applications:

- AR round flange receptacle housings are designed specifically for semi-flush mounting in sheet metal panels or cabinets.

Features:

- Back boxes are not needed for these receptacle assemblies.
- Where wiring behind a panel is exposed and subject to either mechanical injury or contact by personnel, suitable shields or guards should be provided.

Certifications and Complies:

- UL Standard: 1682

Standard Materials:

- Receptacle housings – copper-free aluminum
- Plug exteriors – copper-free aluminum
- Insulation: 30, 60, 100, 200 ampere – fiberglass-reinforced polyester
- Pressure and solder contacts – brass
- Crimp/solder contacts – leaded red brass

Standard Finishes:

- Copper-free aluminum – natural
- Brass – natural
- Fiberglass-reinforced polyester – natural (red)
- Leaded red brass – electro-tin-plate

Options:

Description	Suffix
Available with these assemblies are:	
• Reversed interiors.....	S22
• Special polarity.....	S4

See page 1315 for details.

For general information on application, features and grounding, see pages 1312–1316.



AR Receptacle housings with round flange and threaded cap



APJ Plugs with cable grip, neoprene bushing and fastening ring



APJ Plugs with cable grip, neoprene bushing and fastening ring

AR Arktite® Circuit Breaking Round Flange Receptacle Housings for Panel Mounting

Weatherproof
For use with APJ and AP Plugs

1P

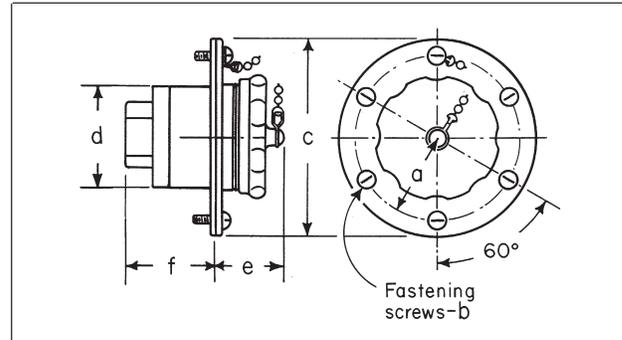
30/60/100/200 A, 600 VAC/250 VDC

Ordering Information:

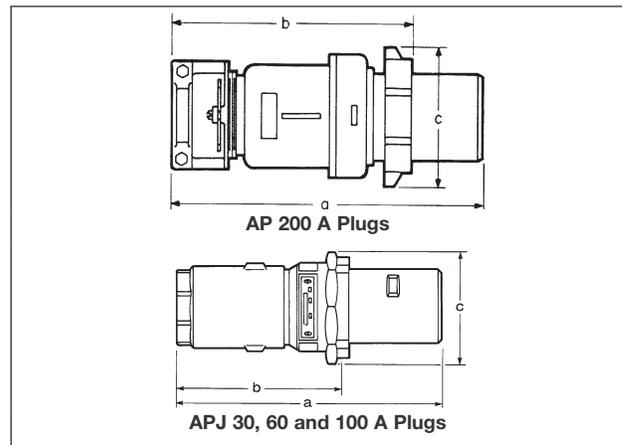
Amps	Style‡	Description	Recept. Cat. #	Cable Dia.	Plug Cat. #
30	1	3-wire, 3-pole*	AR6337	0.60 to 1.20	APJ3375
		4-wire, 4-pole*	AR6347	0.60 to 1.20	APJ3475
	2	3-wire, 4-pole*	AR6348	0.60 to 1.20	APJ3485
		3-wire, 3-pole*	AR6637	0.75 to 1.45	APJ6375
60	1	4-wire, 4-pole*	AR6647	0.75 to 1.45	APJ6475
		3-wire, 4-pole*	AR6648	0.75 to 1.45	APJ6485
	1	3-wire, 3-pole*	AR61037	1.00 to 1.70	APJ10377
		4-wire, 4-pole*	AR61047	1.00 to 1.70	APJ10477
100	2	3-wire, 4-pole*	AR61048	1.00 to 1.70	APJ10487
		3-wire, 3-pole	AR62031§	.875 to 1.375	AP20355
	1	3-pole		1.875 to 2.500	AP20358
		2-wire, 3-pole	AR62032§	.875 to 1.375	AP20365
200	3-pole		1.875 to 2.500	AP20368	

‡Style 1 – Grounded through shell. Style 2 – Grounded through extra pole and shell.
§200 ampere size is provided with clamp cover.
*Pressure connectors are standard. Crimp/solder type terminators are optionally available for 2, 3 and 4-pole 30 ampere, 3 and 4-pole 60 and 100 ampere. For details, see table on page 1316. To specify, add the suffix "T" to the catalog number. For example: APJ3375-T (Plug) AR6337-T (Receptacle).

Dimensions (In Inches): AR Round Flange Receptacles



Description	a	b	c	d	e	f
30 amp. 2, 3, 4-pole	2	12-24	4 3/4	2 7/16	1 5/8	2 1/4
60 amp. 2, 3-pole	2	12-24	4 3/4	2 13/16	1 7/8	3 3/8
60 amp. 4-pole	2	12-24	4 3/4	3 1/8	1 7/8	3 3/8
100 amp. 2, 3-pole	2	12-24	4 3/4	3 1/16	1 7/8	4 9/16
100 amp. 4-pole	2	12-24	4 3/4	3 9/16	1 7/8	4 9/16
200 amp. 3-pole	3 3/8	3/8-16	7 3/4	4 9/16	2 7/8	5 1/8



Amps	No. Poles	a	b	c
30	2, 3 or 4	6 1/2	4 13/16	2 15/16
60	2 or 3	8 1/2	5 3/4	3 3/8
60	4	8 1/2	5 13/16	3 3/4
100	2 or 3	10 1/8	6 9/16	3 3/4
100	4	10 1/8	6 7/8	4 1/8
200	3	14 3/4	10 11/16	6 3/4

These dimensions are approximate and vary with cable size.