

## APJ Plugs, APR Cable Connector Receptacles 30/60/100 A, 250 VDC/600 VAC, 50† – 400 hertz

### Applications:

- APQ motor plugs are used:
- On portable electric equipment

### Features:

- Eliminates problem of storing and protecting a long length of portable cord and plug on portable device
- Connection to fixed receptacle used as power source is made with cord sets which may be hung on wall, out of the way
- Cord sets are made up using an APR receptacle at one end and an APJ plug at the other
- Cord sets may be used singly or connected together to provide longer lengths when needed
- With spare cord sets on hand, portable equipment may be kept in service while normal cord replacement is being made
- Where design of portable equipment permits, APQ motor plugs can be attached directly to a sheet metal panel or cabinet
- May be mounted on AR and AJ back boxes for conduit connection
- See typical installation diagram on next page

### Certifications and Compliances:

- UL Standards: 1682
- CSA Standard: C22.2 No. 182.1

### Standard Materials:

- Motor plugs: mounting plate – *Feraloy*®, iron alloy; protective sleeve – copper-free aluminum
- Plug and receptacle exteriors – copper-free aluminum
- Back boxes – copper-free aluminum
- Insulation – fiberglass-reinforced polyester
- Pressure and solder contacts – brass
- Crimp/solder contacts – leaded red brass

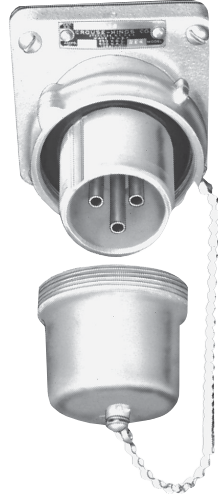
### Standard Finishes:

- *Feraloy* – electrogalvanized and aluminum acrylic paint
- Copper-free aluminum – natural
- Brass – natural
- Fiberglass-reinforced polyester – natural (red)
- Leaded red brass – electro-tin-plate

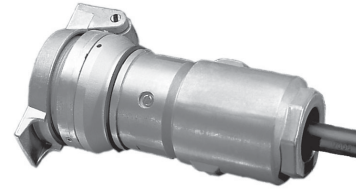
### Options:

Available with these assemblies are:

**Description** **Suffix**  
 Special polarity ..... **S4**  
 See page 1315 for details.



**APQ Motor Plugs**  
with square flange, gaskets, fastening ring, and exposed contacts.



**APR Cable Connector Receptacles** with cable grip, neoprene bushing, and protected contacts.



**APJ Plugs** with cable grip, neoprene bushing, exposed contacts, and fastening ring.

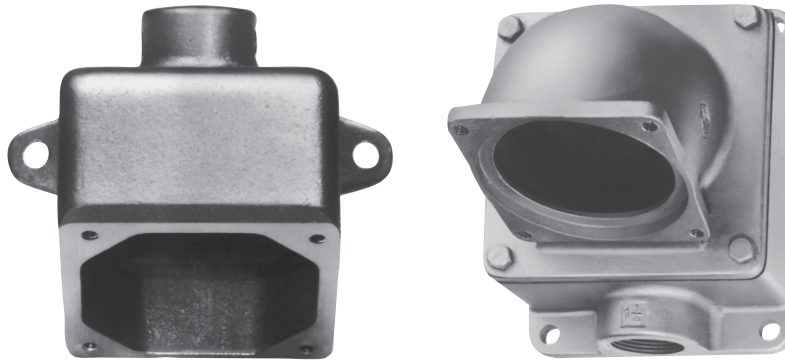
### Ordering Information:

Amps	Style‡	Description	Plug Cat. #	Cable Dia.	Cable Connector Receptacle Cat. #	Motor Plug Cat. #
30	1	2-wire,* 2-pole	<b>APJ3275</b>	0.39 to 1.20	<b>APR3255</b>	<b>APQ327</b>
		3-wire,* 3-pole	<b>APJ3375</b>	0.39 to 1.20	<b>APR3355</b>	<b>APQ337</b>
		4-wire,* 4-pole	<b>APJ3475</b>	0.39 to 1.20	<b>APR3455</b>	<b>APQ347</b>
	2	2-wire,* 3-pole	<b>APJ3385</b>	0.39 to 1.20	<b>APR3365</b>	<b>APQ338</b>
		3-wire,* 4-pole	<b>APJ3485</b>	0.39 to 1.20	<b>APR3465</b>	<b>APQ348</b>
		2-wire,* 2-pole	<b>APJ6275</b>	0.50 to 1.45	<b>APR6255</b>	<b>APQ627</b>
60	1	3-wire,* 3-pole	<b>APJ6375</b>	0.50 to 1.45	<b>APR6355</b>	<b>APQ637</b>
		4-wire,* 4-pole	<b>APJ6475</b>	0.50 to 1.45	<b>APR6455</b>	<b>APQ647</b>
		2-wire,* 3-pole	<b>APJ6385</b>	0.50 to 1.45	<b>APR6365</b>	<b>APQ638</b>
	2	3-wire,* 4-pole	<b>APJ6485</b>	0.50 to 1.45	<b>APR6465</b>	<b>APQ648</b>
		2-wire,* 2-pole	<b>APJ10277</b>	0.875 to 1.70	<b>APR10257</b>	<b>APQ1027</b>
		3-wire,* 3-pole	<b>APJ10377</b>	0.875 to 1.70	<b>APR10357</b>	<b>APQ1037</b>
100	1	4-wire,* 4-pole	<b>APJ10477</b>	0.875 to 1.70	<b>APR10457</b>	<b>APQ1047</b>
		2-wire,* 3-pole	<b>APJ10387</b>	0.875 to 1.70	<b>APR10367</b>	<b>APQ1038</b>
	2	3-wire,* 4-pole	<b>APJ10487</b>	0.875 to 1.70	<b>APR10467</b>	<b>APQ1048</b>

‡Style 1 – Grounded through shell. Style 2 – Grounded through extra pole and shell.  
 \*Pressure connectors are standard. Crimp/solder type terminators are optionally available for 2, 3 and 4-pole 30 ampere, 3 and 4-pole 60 and 100 ampere. For details, see page 1316. To specify, add the suffix "T" to the catalog number. For example: APJ3375-T (Plug) AR6337-T (Receptacle).

†For use on systems less than 60 hertz the receptacles, plugs and connectors are for disconnect use only.

## For APQ Arktime® Circuit Breaking Motor Plugs



Typical back boxes used with APQ Motor Plugs

### ARE

For APQ 30 Amp.

Hub Size	Cat. #
1/2	ARE13
3/4	ARE23
1	ARE33

For APQ 60 Amp.

Hub Size	Cat. #
1	ARE36
1 1/4	ARE46
1 1/2	ARE56

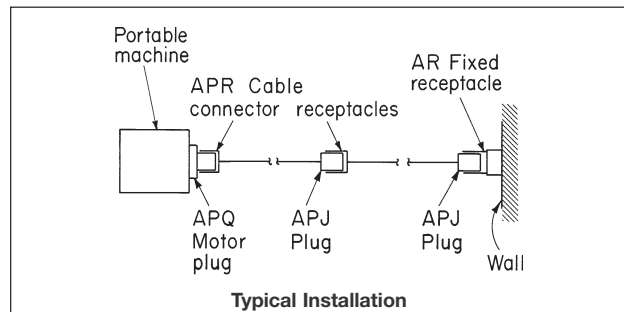
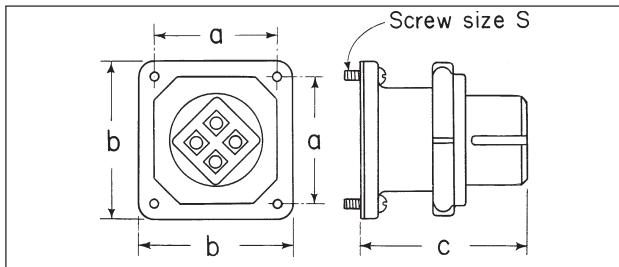
### AJ

For APQ 60 and 100 Amp.

Hub Size	Cat. #
1	AJ37
1 1/4	AJ47
1 1/2	AJ57
2	AJ67

### Dimensions

In Inches:



### APQ Motor Plugs

Amps	a	b	c	s
30	2 3/4	3 3/8	3 3/8	12-24
60	3 1/2	4 1/4	4 7/8	5/16-18
100 (2 & 3-pole)	3 1/2	4 1/4	6 1/8	5/16-18
100 (4-pole)	3 1/2	4 1/4	6 7/16	5/16-18

For additional back box listings, see pages 1332-1333.  
For back box dimensions, see pages 1334-1335.