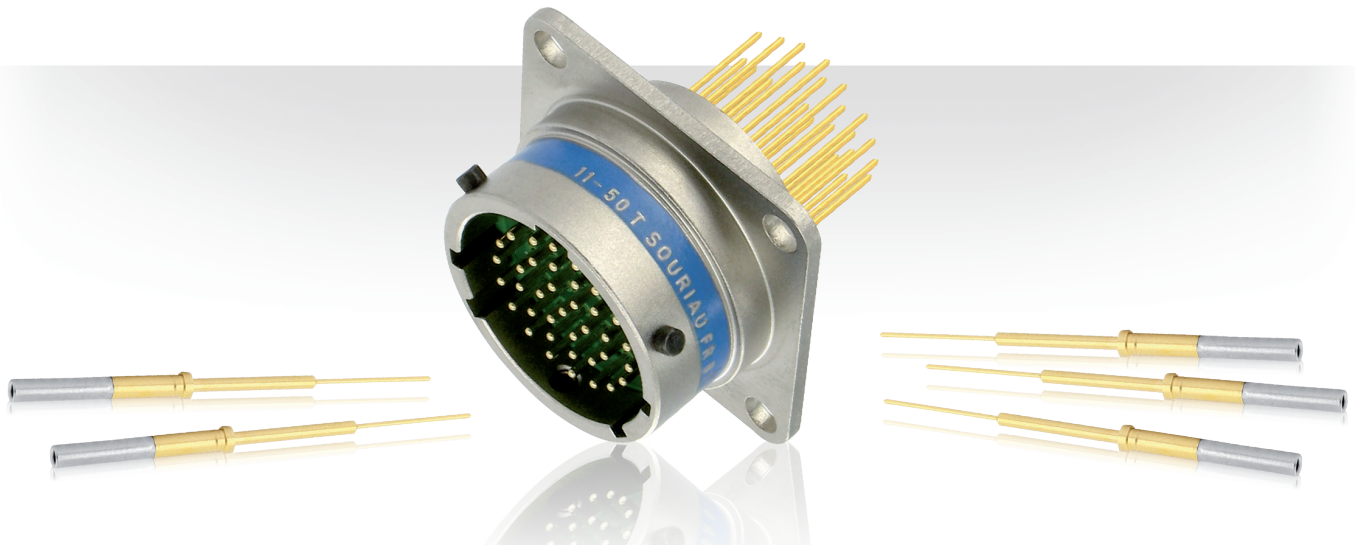


8LT, 8T & 8D Series PCB Contacts without Shoulder

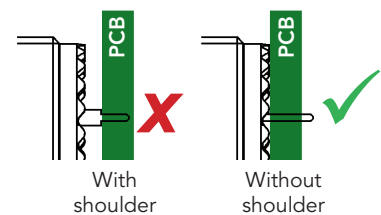


PC Tail Contacts without Shoulder

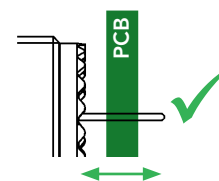
Pin & socket PC Tail contacts without shoulder #22D & #20 as per MIL-DTL-38999 Series I, II & III. Contacts without shoulder allows a more flexible mounting on variable PCB thicknesses or depths.

Ruggedized contacts ■ Material: copper alloy
Finish: gold per MIL-G-45204 type I class 1 over nickel plate
Sleeve: stainless steel

Flexible mounting ■ Various PCB thicknesses:



Multiple PCB positioning:





Description

- Pin & socket PCB contacts without shoulder #20 & #22D as per MIL-DTL-38999 Series I, II & III. Contacts without shoulder allows a more flexible mounting on variable PCB thicknesses or depths.
- Ruggedized contacts:
 - . Material: copper alloy
 - . Finish: gold per MIL-G-45204 type I class 1 over nickel plate
 - . Sleeve: stainless steel
- Flexible mounting:
 - . Various PCB thicknesses
 - . Multiple PCB positioning

Ordering information

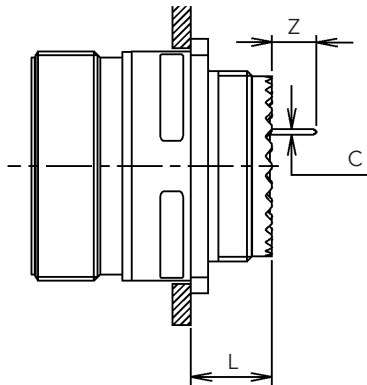
Basic Series:	8LT	3	C	11	F	35	P	N	900
	8T	3	C	10	F	35	P	N	900
	8D	0	C	11	F	35	P	N	900
8LT & 8T shell type:									
3: Square flange receptacle									
7: Jam nut receptacle									
8D shell type:									
0: Square flange receptacle									
7: Jam nut receptacle									
34: Square flange receptacle with M3 clinch nut (F or W plating, aluminum shell only)									
35: Square flange receptacle with M3 helicoils (Z plating, aluminum shell only)									
37: Square flange receptacle with UNC 4-40 helicoils (Z plating, aluminum shell only)									
39: Square flange receptacle with UNC 4-40 clinch nut (F or W plating, aluminum shell only)									
PCB contact without shoulder type: (see following pages for information & dimensions)									
C: Short PC tail									
M: Medium PC tail									
L: Long PC tail									
8LT & 8D shell size: 09, 11, 13, 15, 17, 19, 21, 23, 25									
8T shell size: 08, 10, 12, 14, 15, 17, 20, 22, 24									
8LT plating:			8T plating:			8D aluminum plating			
F: Nickel			F: Nickel			F: Nickel			
Z: Black zinc nickel			Z: Black zinc nickel			Z: Black zinc nickel			
B: Olive green cadmium			B: Olive green cadmium			W: Olive green cadmium			
ZC: Green zinc cobalt			C: Hard anodized			ZC: Green zinc cobalt			
8D composite plating			8D stainless steel plating			8D titanium plating			
J: Olive green cadmium			K: Passivated			TT: Without plating			
M: Nickel			S: Nickel			TF: Nickel			
X: Without plating									
Contact layout: See 8LT, 8T & 8D Series catalogs									
Contact type:									
P: Male									
S: Female									
Orientation:									
N, A, B, C, D, E (Orientations B & C not developed for 8LT shell size 9; Orientation E not developed for 8LT all shell sizes)									
Specification									
900: Contact without shoulder with gold plated barrel (termination area)									
901: Contact without shoulder with tin plated SnPb barrel (termination area)									
901E: Contact without shoulder with tin plated Sn pure barrel (termination area)									
901S: Contact without shoulder with tin plated SAC305 barrel (termination area)									
Special custom:									
None: Standard plastic cap									
M: Antistatic plastic cap									

Note: For JVS (8D Bronze Series, please consult us)

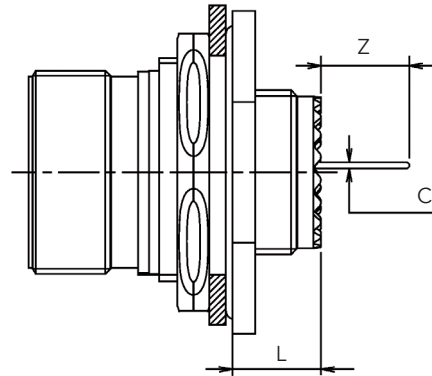
Dimensions

8D Series

Square flange receptacle
8D0
(8D34 / 8D35 / 8D37 / 8D39)



Jam nut receptacle
8D7



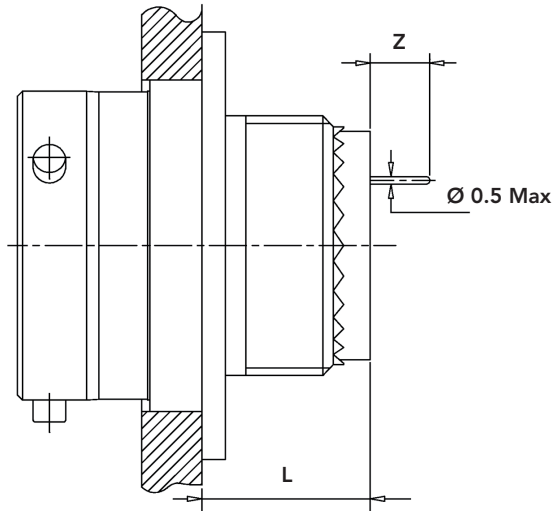
Contact size	Contact Type	Ø C Max	Square flange receptacle 8D0 / 8D34 / 8D35 / 8D37 / 8D39		Jam nut receptacle 8D7		
			Z Min	Z Max	Z Min	Z Max	
#22D & #20	Pin	C: Short PC tail	0.50	3.96	4.88	3.56	4.63
		M: Medium PC tail	0.50	5.99	6.91	5.59	6.66
		L: Long PC tail	0.50	7.51	8.43	7.11	8.18
#22D & #20	Socket	C: Short PC tail	0.50	3.96	5.21	3.56	4.81
		M: Medium PC tail	0.50	5.99	7.24	5.59	6.84
		L: Long PC tail	0.50	7.51	8.76	7.11	8.36

Shell type	Square flange receptacle 8D0 / 8D34 / 8D35 / 8D37 / 8D39		Jam nut receptacle 8D7
Shell size	9 to 19	21 to 25	9 to 25
L Max	10.7	11.5	9.90

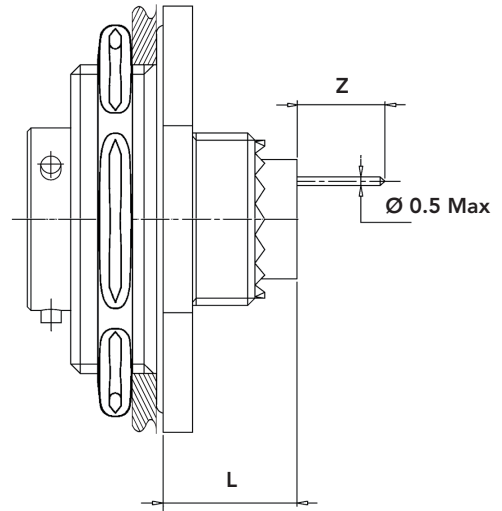
Note: All dimensions are in millimeters (mm)

8T Series

**Square flange wall mounting receptacle
8T3**



**Jam nut receptacle
8T7**



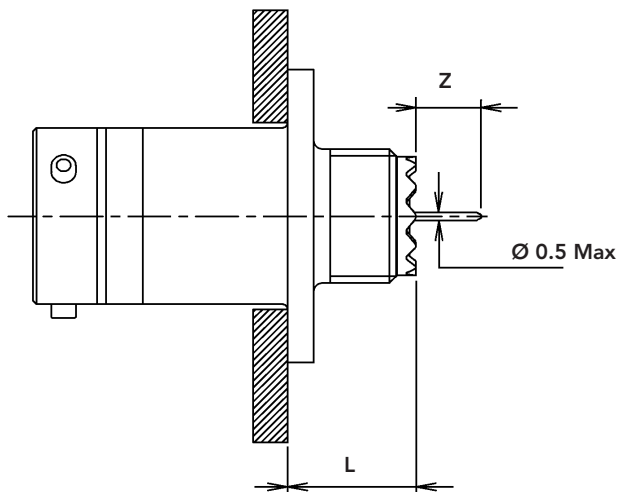
Contact size	Contact Type		Square flange receptacle 8T3		Jam nut receptacle 8T7	
			Z Min	Z Max	Z Min	Z Max
#22D & #20	Pin	C: Short PC tail	2.03	2.76	2.03	2.76
		M: Medium PC tail	4.88	5.61	4.88	5.61
		L: Long PC tail	7.70	8.43	7.70	8.43
#22D & #20	Socket	C: Short PC tail	2.03	3.09	2.03	3.09
		M: Medium PC tail	4.88	5.94	4.88	5.94
		L: Long PC tail	7.70	8.76	7.70	8.76

Shell type	Square flange receptacle 8T3	Jam nut receptacle 8T7	
Shell size	8 to 24	8 to 18	20 to 24
L Max	14.6	11.6	10.95

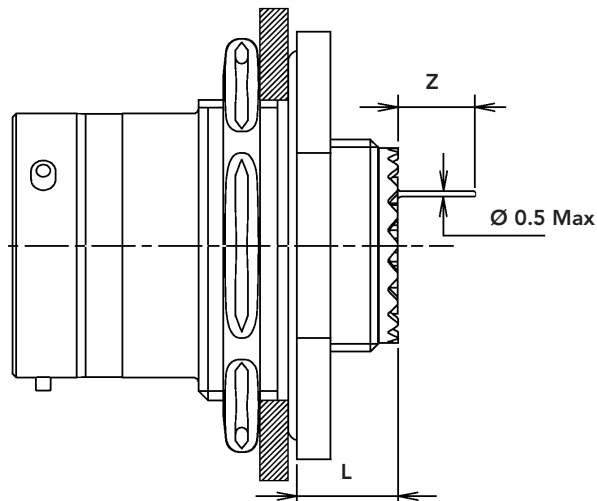
Note: All dimensions are in millimeters (mm)

8LT Series

Square flange wall mounting receptacle
8LT3



Jam nut receptacle
8LT7



Contact size	Contact Type		Square flange receptacle 8LT3		Jam nut receptacle 8LT7	
			Z Min	Z Max	Z Min	Z Max
#22D & #20	Pin	C: Short PC tail	3.69	4.70	3.69	4.51
		M: Medium PC tail	5.72	6.73	5.72	6.54
		L: Long PC tail	7.24	8.25	7.24	8.06
#22D & #20	Socket	C: Short PC tail	3.69	5.03	3.69	4.84
		M: Medium PC tail	5.72	7.06	5.72	6.87
		L: Long PC tail	7.24	8.58	7.24	8.39

Shell type	Square flange receptacle 8LT3		Jam nut receptacle 8LT7
Shell size	9 to 19	21 to 25	9 to 25
L Max	10.6	11.3	8.35

Note: All dimensions are in millimeters (mm)

For further information contact us at technical.emear@souriau.com (Europe - Asia - Africa)
technical.americas@souriau.com (North America)
 or visit our web site www.souriau.com